

caRol™ 20 and 30 EN 1496 class A

Manual for installation, use and maintenance

Manuel d'installation, d'emploi et d'entretien

Installations-, Gebrauchs- und
Wartungsanleitung

Handleiding voor installatie, gebruik en
onderhoud

Manual de instalación, empleo y mantenimiento

Manuale d'installazione, uso e manutenzione

Manual de instalação, utilização e manutenção

Εγχειρίδιο εγκατάστασης, χρήσης και
συντήρησης

Håndbok for installasjon, bruk og vedlikehold

Manual för installation, användning och underhåll

Ohjeet asennukseen, käyttöön ja huoltoon

Manual for installation, brug og vedligeholdelse

Instrukcja montażu, obsługi i konserwacji

Руководство по монтажу, эксплуатации и
обслуживанию

English Original manual **GB**

Français Traduction de la notice originale **FR**

Deutsch Übersetzung der Originalanleitung **DE**

Nederlands Vertaling van de oorspronkelijke handleiding **NL**

Español Traducción del manual original **ES**

Italiano Traduzione del manuale originale **IT**

Português Tradução do manual original **PT**

Ελληνικά Μετάφραση του πρωτότυπου εγχειριδίου **GR**

Norsk Oversettelse av originalanvisning **NO**

Svenska Översättning av originalbruksanvisningen **SE**

Suomi Alkuperäisen ohjeen käänös **FI**

Dansk Oversættelse af den originale manual **DK**

Polski Tłumaczenie oryginalnej instrukcji obsługi **PL**

Русский Перевод инструкции изготовителя **RU**

GB CaRol™ winch with rescue lifting device

FR Treuil caRol™ avec dispositif de sauvetage par élévation

DE Winde caRol™ mit Rettungshubsystem

NL caRol™ takel met een hijsmiddel voor reddingsdoeleinden

ES Cabestrante caRol™ con dispositivo de salvamento mediante izado

IT Verricello caRol™ con dispositivo di salvataggio per sollevamento

PT Guincho caRol™ com dispositivo de resgate por elevação

GR Βαρούλκο με διασωστική διάταξη ανύψωσης CaRol™

NO CaRol™ vinsj med redningsløfteenhet

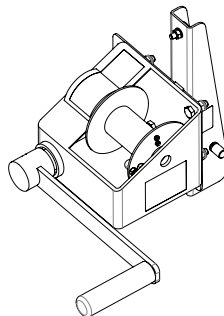
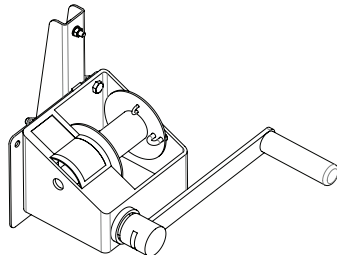
SE CaRol™-vinsch med räddningslyftanordning

FI CaRol™-vinsipelastusnostojärjestelmä

DK CaRol™ spil med redningsløfteanordning

PL Wciągarka caRol™ z ratunkowym urządzeniem podnoszącym

RU Лебедка caRol™ со спасательной подъемной системой



**IMPORTANT**

The caRol™ winch can be used individually:

As a rescue lifting system (lifting only)
(EN 1496)

or

As a load lifting system, in accordance with
directive 2006/42/EC

or

As a rope access and positioning system, in
accordance with directive 2001/45/EC.

When using the caRol™ winch, the device may
only be used to perform one its applications
at any one time (i.e. an additional application
cannot be performed simultaneously)

1 - Using the caRol™ winch for rescue lifting (EN 1496):

Technical specifications

Rescue operation performed using the caRol™ winch:

! **DANGER:** the caRol™ winch cannot be used as a load lifting device when the trapode™ to which it is fitted is simultaneously being used:

- As a fall-arresting anchor point
- As a rescue system
- As an anchoring system for rope access work

Standard: EN 1496 class A

Model	CaRol™ 20 m	CaRol™ 30 m
Weight (kg)	9.34	16
Dimensions L x W x D (mm)	400x275x100	600x320x130
Length of the Ø 5 mm galvanised steel cable (m)	20	30

1. General warnings

- Before using this equipment, and to ensure that it is used safely and effectively, it is essential that the user reads and understands the information given in the manual supplied by TRACTEL SAS. This manual should be available at all times to all users. Additional copies can be supplied on request.
- Before using this safety equipment, it is essential that users receive training in how to use it. Check the condition of the associated equipment and make sure that there is sufficient clearance below the operator in the event of a fall.
- This equipment must only be used by a single trained and competent operator, or by an operator under the supervision of a trained and competent user.
- If this equipment does not appear to be in good condition, all the equipment must be checked by TRACTEL® SAS or by a qualified and competent technician who must provide written authorisation for the continued use of the system. It is mandatory to carry out a visual inspection prior to each use.
- The equipment should not undergo any modification or addition without prior written approval from TRACTEL® SAS. The equipment must be transported and stored in its original packaging.
- If a periodic inspection has not been performed on the equipment during the previous 12 month or less in accordance with the laws or codes of practice in the country of use, then the equipment must not be used. It can only be used again after a new periodic inspection has been carried out by an approved and competent technician who authorises its use in writing. In the absence of these inspections and authorisations, the equipment shall be deemed unfit for use and destroyed.
- The working load limit for this equipment is 150 kg.
- If the mass of the operator plus the mass of his/her equipment and tools is between 100 kg and 150 kg, you must ensure that this total mass (operator + equipment + tools) does not exceed the working load limit of each of the components of the fall-arrest system.
- This equipment is suitable for use on an open-air site and within a temperature range of -35°C to +60°C. Avoid any contact with sharp edges, rough surfaces and chemical substances.
- If you are responsible for assigning the equipment to an employee or similar person, ensure that you comply with the applicable health and safety at work regulations.
- The operator must be physically and mentally fit when using this equipment. In case of doubt, check with his/her doctor or with the occupational physician. Pregnant women are prohibited from using the equipment.
- The equipment must not be used beyond its limits or in any situation other than that for which it has been designed: see "4. Functions and description".
- It is advisable to personally allocate this equipment to each operator, especially if the operator is an employee.
- Before using an EN 363 fall-arrest system, the user must ensure that each of its components is in good working order: safety system, locking system. When setting up, it is essential to ensure that the safety functions are not degraded in any way.

15. When using a fall-arrest system, it is essential to check, prior to each use, the clearance under the operator at the place of work, so that if the operator falls there is no risk of hitting the ground or any obstacle in his or her path (before the fall-arrest system halts their fall).
16. A fall-arrest harness is the only body-gripping device that is permitted with a fall-arrest system.
17. It is essential for the safety of the operator that the device or anchor point is correctly positioned and that work is carried out so as to minimise the risk of falls and the height from which the fall might occur.
18. To ensure the safety of the operator, if the equipment is sold outside the primary country of intended sale, the dealer shall supply: an instruction manual and instructions regarding maintenance, periodic inspections and repair work, all of which shall be written in the language of the country in which the equipment shall be used.
19. Ensure that a rescue plan has been drawn up and is in place.

**NOTE**

For any special applications, please contact Tractel® SAS.

2. Definitions and pictograms

2.1. Definitions

“User”: Person or department responsible for the management and safe use of the product described in the manual.

“Technician”: Qualified person tasked with performing the maintenance operations described in and authorised by the manual. The technician is competent and familiar with the product.

“Operator”: A person capable of using the product in the way it is intended to be used.

“PPE”: Personal protective equipment providing protection against falls from height.

“Connector”: A connecting element between components of a fall-arrest system. It is EN 362 compliant.

“Fall-arrest harness”: A body-gripping harness designed to halt falls. It consists of straps and buckles. It has fall-arrest attachment points marked with an A if they can be used alone, or marked with A/2 if they are to be used in combination with another A/2 point. It is EN 361 compliant.

“Working load limit”: Maximum mass of the operator to be rescued, in appropriate workwear, equipped with the correct PPE, tools and the parts needed to perform the scheduled task.

“Rescue system”: A set of products comprising the following:

- Fall-arrest harness or sit harness or harness with rescue strap.
- Rescue lifting system.
- Anchor point provided by a Tracpode™ made by Tractel®.
- Linking component.

“Rescue system component”: Generic term defining one of the following:

- Fall-arrest harness or sit harness or harness with rescue strap.
- Rescue lifting system.
- Anchor point provided by a Tracpode™ made by Tractel®.
- Linking component.

“Rescue lifting device, EN 1496 class A”: component of personal protective equipment for rescue purposes, by means of which persons are able to winch or lift themselves from a lower to a higher place, or they are lifted by a rescuer.

“Rescue equipment”: individual system for protecting against falls by which an operator can self-rescue or save other individuals, such that any drop is prevented.

2.2. Pictograms



DANGER: refers to instructions whose purpose is to avoid injury to operators, including death, serious or minor injuries, and damage to the environment.



IMPORTANT: Placed at the beginning of a line, refers to instructions whose purpose is to prevent an equipment failure from occurring or to avoid equipment being damaged in a context in which the life or health of the operator or of others is not directly endangered, and/or in which damage to the environment is unlikely.



NOTE: Placed at the beginning of a line, refers to instructions whose purpose is to ensure the effectiveness or the suitability of an installation, of how it is used or of maintenance operations.

3. Conditions of use

Checks before use



IMPORTANT: The use of the caRoL™ winch, fitted via its leg bracket to a Tractel® tracpode™, has

been tested successfully. For any other installation, contact Tractel®

GB

- Check that the caRol™ winch's leg bracket is securely attached to one of the legs of the Tractel® tracpode™ (refer to § 4.2.1)
- Check the condition of the cable along its entire length: it must not show any signs of kinks, abrasion, corrosion or broken wires.
- Check the condition of the metal structure of the caRol™ winch (no deformation, screws in place, etc.).
- Check the operation of the caRol™ winch by turning the winder in the "raise" direction and then in the "lower" direction.
- Check the condition and operation of the connector: there should be no corrosion or visible deformation and it should be possible to open, close and lock it.
- Check the condition of the associated components: Anchor point provided by the Tractel® tracpode™, harnesses and connectors. Refer to the manuals specific to each product.
- Check the complete rescue lifting system.

4. Functions and description

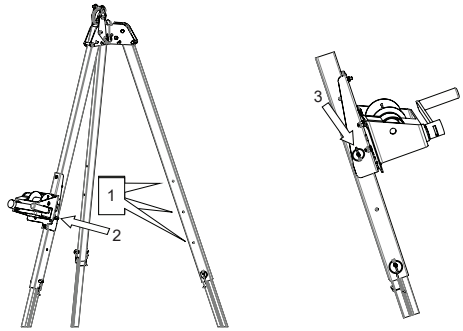
4.1. CaRol™ 20 m/30 m

The caRol™ winch is a rescue lifting device (lifting only) (EN 1496 class A): it allows a rescuer to rescue an operator by raising him or her to safety. It is used in an inclined position when secured via its leg bracket to a Tracpode.

- The caRol™ winch is fitted with a Tractel® galvanised steel cable, 20 or 30 m long.
- The caRol™ winch is used with a specially-designed leg bracket via which it is secured to one of the legs of the Tractel® tracpode™ whose minimum load bearing capacity is 15 kN.

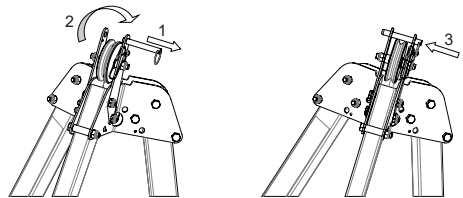
4.2.1 Installing the caRol™ winch on the Tractel® Tracpode™

1. - Remove the locking pin and then position the caRol™ winch at the required height on the tracpode™ (there are 3 possible positions). For this operation, refer to the manual specific to the Tractel® tracpode™.
2. - Push the locking pin through the holes in the leg bracket and in the Tractel® tracpode™.
3. - Secure the locking pin using the spring-loaded clip



4.2.2 Fitting the cable around the cable guide pulley on the Tractel® tracpode™.

1. - Remove the cable guide pin
2. - Run the cable from the caRol™ winch over the pulley and then down through the centre of the head of the Tracpode™.
3. - Refit the cable guide pin to prevent the cable jumping off the pulley.



5. Operating principle

5.1. Rescue operation performed using the caRol™ winch



A second person must be available nearby to perform a rescue operation if required.

The necessary rescue operations must be studied and assessed in advance to define the human resources and equipment required to rescue an operator in need of rescue in less than 15 minutes. Any period longer than this will endanger the operator in need of rescue.

For rescue operations, the use of a comfortable harness or a harness fitted with EN 1497 rescue straps

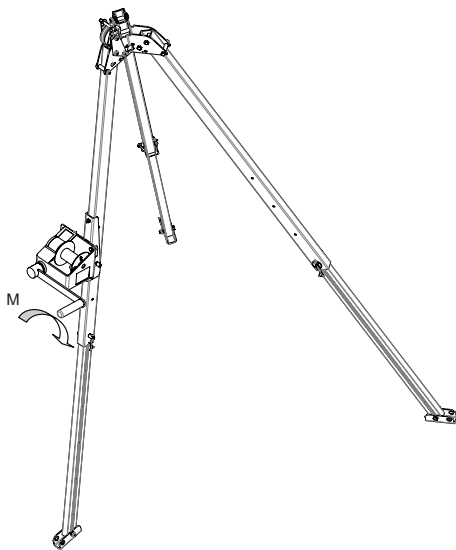
is recommended. It is, however, possible to use a fall-arrest harness, if this type of harness is being worn by the operator needing to be rescued.

For the entire duration of the rescue operation, direct or indirect visual contact, or another means of communication, must be maintained between the rescuer and the others persons involved in the rescue.



IMPORTANT: During rescue operations, the winching system must be used exclusively for rescue purposes, and must not be used to lift loads.

To perform the rescue lifting operation, turn the winder in the direction indicated by the arrow M to recover the operator by raising him or her.



DANGER

Load lifting operation using the caRol™ winch:

All load lifting operations using the caRol™ winch are prohibited if they are performed at the same time as a rescue lifting operation or at the same time as rope access work.

When performing rescue operations, the winching system must be exclusively dedicated to rescue operations.

6. Prohibited use

The following are strictly prohibited:

- installing or using a caRol™ rescue winch without being authorised, trained and recognised as being competent to use the device or, for anyone not meeting these requirements, without being supervised by an operator who is authorised, trained and recognised as being competent to use the device.
- using a caRol™ winch if any of its markings are not legible.
- installing or using a caRol™ winch on which the preliminary checks have not been carried out.
- using a caRol™ winch on which a periodic inspection has not been carried out during the previous 12 months or less in accordance with the laws or codes of practice in the country of use by a technician capable of authorising its continued use in writing.
- installing a caRol™ winch on a Tractel® tracpode™ on which a periodic inspection has not been carried out during the previous 12 months by a technician capable of authorising its continued use in writing.
- using a caRol™ winch for any application other than the rescue lifting of persons.
- securing a caRol™ winch using any means other than the leg bracket specially designed for the tracpode™.
- using a caRol™ winch in any way that contradicts the information given in section "14. Service life".
- using a caRol™ winch to rescue more than 1 operator at any one time.
- using a caRol™ winch to rescue an operator whose total mass, including equipment and tools, exceeds 150 kg.
- using a caRol™ winch to support a load of between 100 kg and 150 kg (total mass of the operator requiring rescue plus his/her equipment and tools) if any component of the rescue system has a lower working load limit.
- using a caRol™ winch in a highly corrosive or explosive atmosphere.
- using a caRol™ winch outside the temperature range specified in this manual.
- using a caRol™ winch if there is obstacle in the path of the rescue.
- using a caRol™ winch if the operator is not in good physical condition.
- using a caRol™ winch if the safety function provided by any of the associated items is affected by the safety function of another item or interferes with it.

- using a caRoI™ winch to secure or lift a load of equipment if the tracpode™ is being used as:
 - a fall-arresting anchor point
 - a rescue system
 - an anchoring system for rope access work
- using the cable of a caRoI™ winch as a sling .
- performing any repair or maintenance operations on a caRoI™ winch without first having been trained and qualified, in writing, by TRACTEL®
- using a caRoI™ winch if it is not complete, if it has previously been dismantled and reassembled or if components have been replaced by a person not authorised by TRACTEL®.

7. Installation

- The caRoI™ winch must be fitted to one of the three legs of the tracpode™.
- The tracpode™ must be stood on stable ground: refer to the § entitled "Installation" in the manual for the Tractel® tracpode™.

8. Components and materials

- Cable: galvanised steel
- M47 connector: galvanised steel
- CaRoI™ winch: painted steel
- CaRoI™ winch's leg bracket: painted steel

9. Associated equipment

In accordance with standard EN 363, the caRoI™ winch forms part of a fall arrest system, which must consist of:

- An anchor point (EN 795).
- An end connector (EN 362).
- A rescue lifting device (EN 1496)
- A connector (EN 362).
- A fall-arrest harness (EN 361).

All other items of associated equipment are prohibited.

10. Maintenance and storage

- If a caRoI™ winch is dirty, it must be washed with clean, cold water, if necessary using a detergent for delicate fabrics, and using a synthetic brush.
- If a caRoI™ winch becomes wet during use or as a result of washing, it must be left to dry naturally away from direct sunlight and from any source of heat.

- Before transporting and placing in storage, wrap the equipment in protective packaging that will keep out moisture and protect against any damage (direct heat sources, chemicals, UV, etc.).
- If the product is contaminated, contact Tractel® or one of its dealers.

11. Equipment compliance

TRACTEL® SAS RD 619 – Saint-Hilaire-sous-Romilly – F-10102 Romilly-sur-Seine France hereby declares that the safety equipment described in this manual is identical to the equipment that was tested and found to comply with standard EN 1496(2017) by APAVE SUDEUROPE SAS – CS 60193 – 13322 Marseille – France

12. Marking

The label on each caRoI™ winch indicates:

- The trade name: TRACTEL®.
- The name of the product,
- The reference standard followed by the year of application,
- The product reference
- The date of manufacture
- The serial number,
- A pictogram indicating that the manual must be read before using the equipment,
- The diameter of the cable
- The working load limit,
- The maximum operating length

13. Periodic inspection and repair

An annual periodic inspection is mandatory, but depending on the frequency of use, environmental conditions and regulations of the company or the country of use, periodic inspections may be more frequent.

Periodic inspections shall be carried out by an approved and competent technician, and in accordance with the manufacturer's inspection procedures reproduced in the "Verification procedures for TRACTEL® PPE" file.

Verification of the legibility of the markings on the product is an integral part of the periodic inspection.

On completion of the periodic inspection, the return to service must be indicated in writing by the authorised and competent technician who carried out the inspection. This return to service must be recorded

on the inspection record in the middle of this manual. This inspection record should be retained throughout the product's service life, up until it is deemed unfit for service.

14. Service life

TRACTEL® textile PPE such as harnesses, lanyards, ropes and shock absorbers, TRACTEL® mechanical PPE such as stopcable™ and stopfor™ fall arresters, blocfor™ self-retracting fall arresters, TRACTEL® lifelines and TRACTEL® mechanical rescue lifting equipment such as caRoI™ winches can be used on condition that, from their date of manufacture onwards, they are:

- used normally, in accordance with the recommendations given in this manual.
- inspected periodically at least once a year by an approved and competent technician. On completion of this periodic inspection, it must be certified in writing that the equipment is fit to be returned to service.
- stored and transported in strict compliance with the conditions indicated in this manual.

15. Disposal

When disposing of the product, all components must be recycled by firstly sorting them into metallic and synthetic materials. These materials must be recycled by specialist organisations. During disposal, dismantling in order to separate the components should be undertaken by a suitably trained person.

2 - Using the caRoI™ winch for load lifting in accordance with directive 2006/42/EC:

Load lifting operation performed using the caRoI™ winch:



DANGER: the caRoI™ winch cannot be used as a load lifting device when the tracpode™ is being used:

- As a fall-arresting anchor point
- As a rescue system
- As an anchoring system for a person working while suspended using a rope

The working load limit is 250 kg when the caRoI™ winch is fitted to one of the legs of the tracpode™

To perform a lifting operation, attach the load to the connector at the end of the cable

For the entire duration of the lifting operation, the operator must ensure that no other operator is located underneath the load while it is being moved

To perform the load lifting operation, turn the winder in the direction indicated by the arrow M to raise the load, and in the opposite direction to lower the load.

3 - Using the caRoI™ winch for rope access work, in accordance with directive 2001/45/EC:

Rope access work, performed using the caRoI™ winch:



DANGER: the caRoI™ winch cannot be used as a load lifting device when the tracpode™ is being used:

- As a fall-arresting anchor point
- As a rescue system
- As an anchoring system for rope access work

Rope access work enabled by the caRoI™ winch:

The caRoI™ winch may be used as a rope access and positioning system in accordance with directive 2001/45/EC of the European parliament, of 27 June 2001.

Conditions to satisfy when implementing rope access and positioning techniques.

The system must consist, as a minimum, of an access rope (or a cable) (e.g. provided by a caRoI™ rescue winch, a descending device, an ascending device) which provides a means of access, raising or lowering and support, and a safety rope (or cable) fitted with a fall-arrest system (a fall-arrester on a flexible belaying support such as Stopfor™ or a Blocfor™ self-retracting fall arrester). These two ropes (cables) must be secured independently to two anchor points in accordance with standard EN795 or to an anchor point whose load bearing capacity has been assessed and found to be satisfactory by the employer or by a competent person.

Operators using the rope access and positioning technique must wear and use a suitable fall-arrest harness which must be attached to both the safety rope and to the access rope.

**IMPORTANT**

Le treuil caRol™ peut être utilisé individuellement :

Comme système de sauvetage par élévation vers le haut (EN 1496)

ou

Comme système de levage de charge conformément à la directive 2006/42/CE

ou

Comme système de travail sur corde conformément à la directive 2001/45/CE.

Lors de l'utilisation du treuil caRol™, il est interdit d'ajouter simultanément les applications d'utilisation les unes aux autres

1 - Utilisation du treuil caRol™ en sauvetage par élévation EN 1496 :

Spécifications techniques

Opération de sauvetage avec le treuil caRol™ :

⚠ DANGER : le treuil caRol™ ne peut pas être utilisé comme moyen de levage de charge lorsque le trapode™ est utilisé :

- Comme point d'ancrage antichute
- Comme système de secours
- Comme système d'ancrage de travail sur corde

Norme : EN 1496 classe A

Modèle	CaRol™ 20 m	CaRol™ 30 m
Poids (kg)	9,34	16
Dimensions L x l x H (mm)	400x275x100	600x320x130
Longueur câble acier galvanisé Ø 5 mm (m)	20 m	30 m

1. Consignes prioritaires

1. Avant d'utiliser cet équipement, il est indispensable pour la sécurité d'emploi du matériel et son efficacité que l'utilisateur lise et comprenne les informations dans la notice fournie par TRACTEL® SAS. Cette notice doit être conservée à disposition de tout utilisateur. Des exemplaires supplémentaires peuvent être fournis sur demande.
2. Avant d'utiliser ce matériel de sécurité il est indispensable d'avoir reçu une formation à son emploi. Vérifier l'état des équipements associés et assurez-vous que le tirant d'air est suffisant.
3. Cet équipement ne peut être utilisé que par un seul opérateur formé et compétent ou par un opérateur sous la surveillance d'un utilisateur
4. Si cet équipement n'est pas en bon état apparent, l'ensemble de l'équipement doit être vérifié par TRACTEL® SAS ou par un technicien habilité et compétent qui doit autoriser par écrit la réutilisation du système. Un contrôle visuel avant chaque utilisation est obligatoire.
5. Toute modification ou adjonction à l'équipement ne peut se faire sans l'accord préalable écrit de TRACTEL® SAS. L'équipement doit être transporté et stocké dans son emballage d'origine.
6. Tout équipement n'ayant pas fait l'objet d'un examen périodique au cours des douze derniers mois ne doit pas être utilisé. Il ne pourra être utilisé de nouveau qu'après un nouvel examen périodique réalisé par un technicien habilité et compétent qui autorisera par écrit son utilisation. À défaut de ces examens et autorisations, l'équipement sera réformé et détruit.
7. La charge maximale d'utilisation est de 150 kg pour cet équipement.
8. Si la masse de l'opérateur augmentée de la masse de son équipement et de son outillage est comprise entre 100 kg et 150 kg, il est impératif de s'assurer que cette masse totale (opérateur + équipement + outillage) n'excède pas la charge maximale d'utilisation de chacun des éléments constituant le système d'arrêt des chutes.
9. Cet équipement convient pour une utilisation sur chantier à l'air libre et pour une plage de température comprise entre -35°C et +60°C. Éviter tout contact avec des arêtes vives, des surfaces abrasives, des produits chimiques.
10. Si vous devez confier le matériel à un personnel salarié ou assimilé, conformez-vous à la réglementation du travail applicable.
11. L'opérateur doit être en pleine forme physique et psychologique lors de l'utilisation de cet équipement. En cas de doute, consulter son médecin ou le médecin du travail. Interdit aux femmes enceintes.
12. L'équipement ne doit pas être utilisé au-delà de ses limites, ou dans toute autre situation que celle pour laquelle il est prévu : cf. « 4. Fonctions et description ».
13. Il est recommandé d'attribuer personnellement cet équipement à chaque opérateur, notamment s'il s'agit de personnel salarié.
14. Avant l'utilisation d'un système d'arrêt des chutes EN 363, l'utilisateur doit s'assurer que chacun des composants est en bon état de fonctionnement : système de sécurité, verrouillage. Lors de la mise

en place, il ne doit pas y avoir de dégradation des fonctions de sécurité.

15. Dans un système d'arrêt des chutes, il est essentiel de vérifier l'espace libre sous l'opérateur sur le lieu de travail avant chaque utilisation, de manière qu'en cas de chute il n'y ait pas de risque de collision avec le sol ni présence d'un obstacle sur la trajectoire de la chute.
16. Un harnais d'antichute est le seul dispositif de préhension du corps qu'il est permis d'utiliser dans un système d'arrêt des chutes.
17. Il est essentiel pour la sécurité de l'opérateur que le dispositif ou le point d'ancrage soit correctement positionné et que le travail soit effectué de manière à réduire au minimum le risque de chutes ainsi que sa hauteur.
18. Pour la sécurité de l'opérateur, si le produit est revendu hors du premier pays de destination, le revendeur doit fournir : un mode d'emploi, des instructions pour l'entretien, pour les examens périodiques et les réparations, rédigés dans la langue du pays d'utilisation du produit.
19. S'assurer qu'un plan de sauvetage a été mis en place.

NOTE

Pour toutes applications spéciales, n'hésitez pas à vous adresser à Tractel® S.A.S.

2. Définitions et pictogrammes

2.1. Définitions

« **Utilisateur** » : Personne ou service responsable de la gestion et de la sécurité d'utilisation du produit décrit dans le manuel.

« **Technicien** » : Personne qualifiée en charge des opérations de maintenance décrites et permises à l'utilisateur par le manuel qui est compétente et familière avec le produit.

« **Opérateur** » : Personne opérant dans l'utilisation du produit conformément à la destination de celui-ci.

« **EPI** » : Équipements de protection individuelle contre les chutes de hauteur.

« **Connecteur** » : Élément de connexion entre composants d'un système d'arrêt des chutes. Il est conforme à la norme EN 362.

« **Harnais d'antichute** » : Dispositif de préhension du corps destiné à arrêter les chutes. Il est constitué de sangles et bouclerie. Il comporte des points d'accrochage antichute marqués d'un A s'ils peuvent

être utilisés seuls, ou marqués d'un A/2 s'ils doivent être utilisés en combinaison avec un autre point A/2. Il est conforme à la norme EN 361.

« **Charge maximale d'utilisation** » : Masse maximale de l'opérateur habillé à secourir, habillée, équipée de ses EPI, de sa tenue de travail, de son outillage et des composants dont il a besoin pour faire son intervention.

« **Système de sauvetage** » : Ensemble composé des éléments suivants :

- Harnais d'antichute ou harnais avec ceinture à cuissardes ou harnais / sangle de sauvetage.
- Système de sauvetage par élévation.
- Ancrage tracpode™ Tractel®.
- Élément de liaison.


« **Élément du système de sauvetage** » : Terme générique définissant l'un des éléments suivant :


- Harnais d'antichute ou harnais avec ceinture à cuissardes ou harnais / sangle de sauvetage.
- Système de sauvetage par élévation.
- Ancrage tracpode™ Tractel®.
- Élément de liaison.


« **Dispositif de sauvetage par élévation EN 1496 classe A** » : composant ou sous ensemble d'un équipement de sauvetage permettant le treuillage d'un opérateur avec l'aide d'un sauveteur d'un point bas à un point haut.

« **Équipement de sauvetage** » : système de protection individuelle contre les chutes grâce auquel un opérateur peut se sauver elle-même ou sauver d'autres personnes, de sorte que toute chute soit empêchée.

2.2. Pictogrammes

 **DANGER** : désigne des instructions destinées à éviter des dommages aux opérateurs, notamment les blessures mortelles, graves ou légères, ainsi que les dommages à l'environnement.

 **IMPORTANT** : Placé en début de ligne, désigne des instructions destinées à éviter une défaillance ou un dommage des équipements, mais ne mettant pas directement en danger la vie ou la santé de l'opérateur ou celles d'autres personnes, et/ou n'étant pas susceptible de causer de dommage à l'environnement.

 **NOTE** : Placé en début de ligne, désigne des instructions destinées à assurer l'efficacité ou la commodité d'une installation, d'une utilisation ou d'une opération de maintenance.

3. Conditions d'utilisation

Vérifications avant utilisation



IMPORTANT : Le treuil caRoI™ équipé de sa console a été testé pour être utilisé sur un tracpode™ Tractel®. Pour toute autre installation consulter Tractel®

- Vérifier que la console du treuil caRoI™ est bien verrouillée sur l'une des jambes du tracpode™ Tractel® (voir § 4.2.1)
- Vérifier l'état du câble sur toute sa longueur : il ne doit pas présenter de traces de pliure, d'abrasion, de corrosion, de fils coupés.
- Vérifier l'état de la structure métallique du treuil caRoI™ (pas de déformation, présence des vis...).
- Vérifier le fonctionnement du treuil caRoI™ en actionnant la manivelle dans le sens « montée » puis dans le sens « descente ».
- Vérifier l'état et le fonctionnement du connecteur : pas de corrosion ou pas de déformation visible, ouverture, fermeture et verrouillage possibles.
- Vérifier l'état des composants associés : Ancrage du tracpode™ Tractel®, harnais et connecteurs. Se reporter aux notices spécifiques de chacun des produits.
- Vérifier le système de sauvetage par élévation complet.

4. Fonctions et description

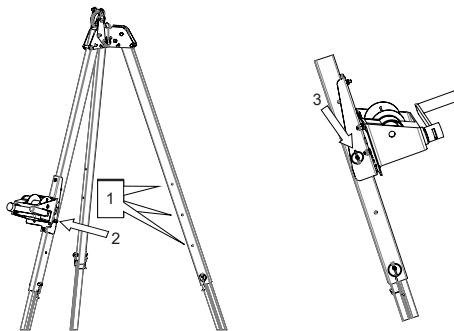
4.1. Le caRoI™ 20 m /30 m

Le treuil caRoI™ est un dispositif de sauvetage par élévation vers le haut (EN 1496 classe A) : il permet à un sauveteur de remonter un opérateur en détresse. Il est utilisé incliné lorsqu'il est installé sur la console de tracpode.

- Le treuil caRoI™ est équipé d'un câble Tractel® en acier galvanisé d'une longueur de 20 ou 30 m.
- Le treuil caRoI™ est équipé d'une console d'ancrage spécifique qui permet de le fixer sur l'une des jambes du tracpode™ Tractel® dont la résistance mini doit être de 15 kN.

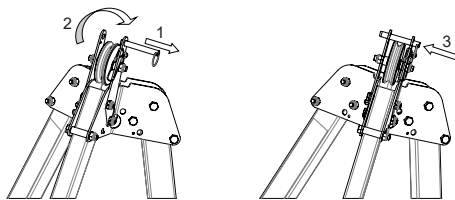
4.2.1 Installation du treuil caRoI™ sur le Tracpode™ Tractel®

1. - Positionner le treuil caRoI™ à la hauteur désirée sur le tracpode™ (3 positions possibles). Pour cela voir la notice spécifique du tracpode™ Tractel®.
2. - Engager la broche de verrouillage dans la console et la jambe du tracpode™ Tractel®.
3. - Engager la goupille clips dans la broche de verrouillage



4.2.2 Mise en place du câble sur la poulie de renvoi du tracpode™ Tractel®.

1. - Tirer la broche anti saut de câble
2. - Passer le câble du treuil caRoI™ dans la poulie de renvoi puis à l'intérieur de la tête du Tracpode™.
3. - Pousser la broche pour verrouiller le câble dans la poulie.



5. Principe de fonctionnement

5.1. Opération de sauvetage avec le treuil caRoI™



La présence d'un deuxième opérateur à proximité est obligatoire pour effectuer une éventuelle évacuation.

Les opérations de secours auront fait l'objet d'une étude programmée afin de définir les moyens humains et matériels à mettre en œuvre pour porter secours à un opérateur en détresse dans un délai inférieur à 15 minutes. Au delà de ce délai, l'opérateur à secourir est en danger.

Pour les opérations de secours, l'utilisation d'un harnais confortable ou un harnais équipé de bretelle de secours

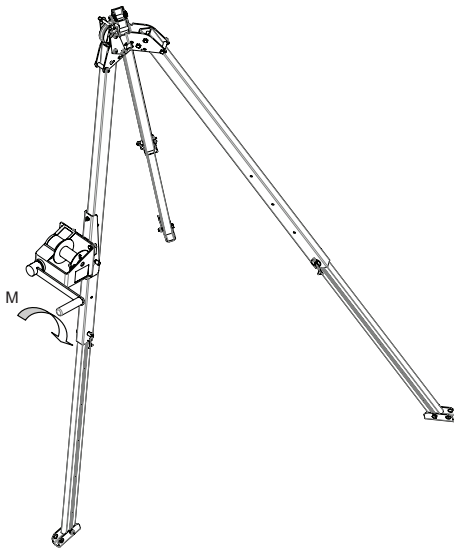
EN 1497 est recommandé. Il est toutefois possible d'utiliser le harnais d'antichute de l'opérateur à secourir si elle en est équipée.

Durant toute la phase de sauvetage, il doit y avoir un contact visuel direct ou indirect ou tout autre moyen de communication entre le sauveteur et les autres personnes intervenants pour le sauvetage.



IMPORTANT : Lors des opérations de sauvetage le système de treuillage doit être exclusivement destiné aux opérations de secours et ne peut être utilisé en levage de charges.

Pour réaliser l'opération de sauvetage par élévation, actionner la manivelle dans le sens de la flèche M afin d'évacuer vers le haut l'opérateur à secourir.



DANGER

Opération de levage de charge avec le treuil caRol™ :

Toute opération de levage de charge avec le treuil caRol™ est interdite en combinaison avec une opération de sauvetage par élévation de personne ou de travail sur corde.

Lors des opérations de sauvetage le système de treuillage doit être exclusivement destiné aux opérations de secours

6. Contre-indications d'emploi

Il est strictement interdit :

- d'installer ou d'utiliser un treuil de sauvetage caRol™ sans y avoir été autorisé, formé et reconnu compétent ou à défaut, sans être sous la surveillance d'un opérateur autorisé, formé et reconnu compétent.
- d'utiliser un treuil caRol™ si son marquage n'est pas lisible.
- d'installer ou d'utiliser un treuil caRol™ n'ayant pas fait l'objet des vérifications préalables.
- d'utiliser un treuil caRol™ qui n'a pas fait l'objet d'un examen périodique, depuis moins de 12 mois, par un technicien ayant autorisé sa réutilisation par écrit.
- d'installer un treuil caRol™ sur un tracpode™ Tractel® qui n'a pas fait l'objet d'un examen périodique, depuis moins de 12 mois, par un technicien ayant autorisé sa réutilisation par écrit.
- d'utiliser un treuil caRol™ pour toute autre application que celle de sauvetage par élévation vers le haut de personnes.
- de fixer un treuil caRol™ par tout autre moyen que par la console spécifique pour tracpode™.
- d'utiliser un treuil caRol™ en contradiction avec les informations définies dans le paragraphe « 14. Durée de vie ».
- d'utiliser un treuil caRol™ pour secourir plus de 1 opérateur simultanément.
- d'utiliser un treuil caRol™ pour secourir un opérateur dont la masse, équipement et outillage compris, est supérieure à 150 kg.
- d'utiliser un treuil caRol™ à une charge comprise entre 100 kg et 150 kg (masse totale de l'opérateur à secourir, de son équipement et de son outillage) si un élément du système de sauvetage a une charge maximale d'utilisation plus faible.
- d'utiliser un treuil caRol™ en atmosphère fortement corrosive ou explosive.
- d'utiliser un treuil caRol™ hors de la plage de température spécifiée dans la présente notice.
- d'utiliser un treuil caRol™ si un obstacle se situe sur la trajectoire de l'évacuation.
- d'utiliser un treuil caRol™ si l'opérateur n'est pas en pleine forme physique.
- d'utiliser un treuil caRol™ si la fonction de sécurité de l'un des articles associés est affectée par la fonction de sécurité d'un autre article où interfère avec celle-ci.

- d'utiliser un treuil caRol™ pour sécuriser ou lever une charge de matériel si le trapode™ est utilisé comme :
 - point d'ancrage antichute
 - système de secours
 - système d'ancrage de travail sur corde
- d'utiliser le câble du treuil caRol™ comme moyen d'élingage.
- de procéder à des opérations de réparations ou de maintenance du treuil caRol™ sans avoir été formé et habilité, par écrit, par TRACTEL®.
- d'utiliser un treuil caRol™ s'il n'est pas complet, s'il a été démonté au préalable ou si des composants ont été remplacés par une personne non habilitée par TRACTEL®.

7. Installation

- Le treuil caRol™ doit être mis en place sur l'une des trois jambes du trapode™.
- Le trapode™ doit être posé sur un sol stable : voir § « installation » de la notice du trapode™ Tractel®.

8. Composants et matériaux

- Câble : acier galvanisé.
- Connecteur M47 : acier zingué
- Le treuil caRol™ : acier peint
- Console treuil caRol™ : acier peint

9. Equipements associés

Conformément à la norme EN 363, le treuil caRol™ s'intègre dans un système d'arrêt des chutes, qui doit comprendre obligatoirement :

- Un ancrage (EN 795).
- Un connecteur d'extrémité (EN 362).
- Un dispositif de sauvetage par élévation (EN 1496).
- Un connecteur (EN 362).
- Un harnais d'antichute (EN 361).

Toute autre association est interdite

10. Entretien et stockage

- Si un treuil caRol™ est sale, il faut le laver à l'eau claire et froide avec éventuellement une lessive pour textiles délicats, utiliser une brosse synthétique.
- Si au cours de l'utilisation ou du lavage un treuil caRol™ a été mouillé, il faut le laisser sécher naturellement à l'ombre et à l'écart de toute source de chaleur.

- Pendant le transport et le stockage, protéger l'équipement dans un emballage résistant à l'humidité contre tout danger (source de chaleur directe, produits chimiques, UV, ...).
- En cas de contamination du produit, consulter Tractel® ou un de ses revendeurs.

11. Conformité de l'équipement

La société TRACTEL® SAS RD 619 – Saint-Hilaire-sous- Romilly – F-10102 Romilly-sur-Seine France déclare, par la présente, que l'équipement de sécurité décrit dans cette notice est identique à l'équipement ayant fait l'objet d'essais de conformité à la norme EN 1496 de 2017 par l'APAVE SUDEUROPE SAS – CS 60193 – 13322 Marseille – France

12. Marquage

L'étiquette de chacun des treuil caRol™ indique :

- Marque commerciale : TRACTEL®,
- Désignation du produit,
- Norme de référence suivie de l'année d'application,
- Référence du produit
- Date de fabrication
- Numéro de série,
- Pictogramme indiquant qu'il faut lire la notice avant l'utilisation,
- Diamètre du câble
- Charge maximale d'utilisation,
- Longueur maxi d'utilisation

13. Examen périodique et réparation

Un examen périodique annuel est obligatoire, mais en fonction de la fréquence d'utilisation, des conditions environnementales et de la réglementation de l'entreprise ou du pays d'utilisation, les examens périodiques peuvent être plus fréquents.

Les examens périodiques doivent être effectués par un technicien habilité et compétent et dans le respect des modes opératoires d'examen du fabricant retranscrits dans le fichier « Instructions de vérification des EPI TRACTEL® ».

La vérification de la lisibilité du marquage sur le produit fait partie intégrante de l'examen périodique.

À l'issue de l'examen périodique, la remise en service doit être signifiée par écrit par le technicien habilité et compétent qui a effectué l'examen périodique. Cette remise en service du produit doit être enregistrée sur la

feuille de contrôle qui se trouve au milieu de la présente notice. Cette feuille de contrôle doit être conservée pendant toute la durée de vie du produit, jusqu'à sa réforme.

14. Durée de vie

Les EPI textiles TRACTEL® comme les harnais, longues, cordes et absorbeurs, les EPI mécaniques TRACTEL® comme les antichutes stopcable™ et stopfor™, les antichutes à rappel automatique blocfor™ et les lignes de vie TRACTEL®, les équipements de sauvetage par élévation mécaniques TRACTEL® comme les treuils caRoI™ sont utilisables sous réserve qu'à compter de leur date de fabrication ils fassent l'objet :

- d'une utilisation normale dans le respect des préconisations d'utilisation de la présente notice.
- d'un examen périodique qui doit être réalisé au minimum 1 fois par an par un technicien habilité et compétent. À l'issue de cet examen périodique, l'équipement doit être déclaré par écrit apte à sa remise en service.
- du strict respect des conditions de stockage et de transport mentionnées dans la présente notice.

15. Mise au rebut

Lors de la mise au rebut du produit, il est obligatoire de recycler les différents composants par un tri des matières métalliques et par un tri des matériaux synthétiques. Ces matériaux doivent être recyclés auprès d'organismes spécialisés. Lors de la mise au rebut, le démontage, pour la séparation des constituants, doit être réalisé par une personne compétente.

2 - Utilisation du treuil caRoI™ en levage de charge conformément à la directive 2006/42/CE :

Opération de levage de charge avec le treuil caRoI™ :



DANGER : le treuil caRoI™ ne peut pas être utilisé comme moyen de levage de charge lorsque le trapode™ est utilisé :

- Comme point d'ancrage antichute
- Comme système de secours
- Comme système d'ancrage de travail sur corde

La charge maximale d'utilisation est de 250 kg lorsque le treuil caRoI™ est utilisé sur l'un des pieds du trapode™

Pour les opérations de levage accrocher la charge sur le connecteur en extrémité de câble

Durant toute la phase de levage, l'opérateur doit s'assurer qu'aucun autre opérateur ne soit présent sous la charge pendant son déplacement.

Pour réaliser l'opération de levage de charge, actionner la manivelle dans le sens de la flèche M afin de lever vers le haut la charge et dans le sens opposé pour faire descendre la charge.

3 - Utilisation du treuil caRoI™ pour le travail sur corde conformément à la directive 2001/45/CE :

Opération de travail sur corde avec le treuil caRoI™ :



DANGER : le treuil caRoI™ ne peut pas être utilisé comme moyen de levage de charge lorsque le trapode™ est utilisé :

- Comme point d'ancrage antichute
- Comme système de secours
- Comme système d'ancrage de travail sur corde

Travail sur corde avec le treuil caRoI™ :

Le treuil caRoI™ peut être utilisé comme système de travail sur corde conformément à la directive 2001/45/CE du parlement Européen du 27 Juin 2001.

Conditions à respecter pour utiliser des techniques d'accès et de positionnement par corde.

Le système doit comporter au moins une corde (ou un câble) de travail (ex : un treuil de secours caRoI™, un descendeur, un bloqueur), constituant un moyen d'accès, de montée ou de descente et de soutien, et une corde (ou un câble) de sécurité équipé d'un système d'arrêt de chute (un antichute sur support d'assurage flexible type Stopfor™ ou un antichute à rappel automatique de type Blocfor™). Ces deux dispositifs doivent être ancrés séparément sur deux points d'ancrage conformes à la norme EN795 ou sur un point d'ancrage ayant fait l'objet d'une note de calcul établie par l'employeur ou une personne compétente.

Les opérateurs utilisant la technique d'accès et de positionnement par corde doivent être équipés d'un harnais antichute approprié, ils doivent l'utiliser et le relier à la corde de sécurité et à la corde de travail.



WICHTIG

Die Winde caRol™ kann einzeln verwendet werden:

Als Rettungshubgerät (EN 1496)

oder

Als Lasthubgerät nach Richtlinie 2006/42/EG

oder

Als Seil-Hubsystem gemäß der Richtlinie 2001/45/EG.

Bei der Benutzung der Winde caRol™ ist es verboten, gleichzeitig mehrere Verwendungszwecke zu wählen.

1 - Benutzung der Seilwinde caRol™ als Rettungshubgerät nach EN 1496:

Technische Daten

Rettungshubeinsatz mit Seilwinde caRol™:

! **GEFAHR:** Die Seilwinde caRol™ kann nicht als Lastaufnahmemittel verwendet werden, wenn der tracode™ wie folgt verwendet wird:

- Als Anschlagpunkt von Auffangsystemen
- Als Notfallsystem
- Als Anschlagssystem von Seil-Hubsystemen

Norm: EN 1496 Klasse A

Modell	CaRol™ 20 m	CaRol™ 30 m
Gewicht (kg)	9,34	16
Abmessungen B x T x H (mm)	400x275x100	600x320x130
Länge verzinktes Stahlseil Ø 5 mm (m)	20 m	30 m

1. Wichtige Betriebsvorschriften

1. Vor der Benutzung dieser Ausrüstung muss der Sicherheitsbeauftragte zur Gewährleistung der Betriebssicherheit und einer optimalen Wirksamkeit der Ausrüstung in deren Verwendung unterwiesen sein und die Anleitung von TRACTEL® lesen und die darin enthaltenen Informationen verstehen. Die Anleitung muss jederzeit allen Sicherheitsbeauftragten zur Verfügung gestellt werden. Zusätzliche Exemplare sind auf Anfrage erhältlich.
2. Vor der Benutzung dieser Schutzausrüstung muss eine Schulung hinsichtlich des Einsatzes der

Ausrüstung erfolgen. Prüfen Sie den Zustand der zugehörigen Ausrüstungen und stellen Sie sicher, dass ein ausreichender Freiraum zur Aufprallfläche vorhanden ist.

3. Diese Ausrüstung darf nur von einem Benutzer benutzt werden, der eingewiesen wurde und sachkundig ist oder unter der Überwachung eines Sicherheitsbeauftragten steht.
4. Wenn diese Ausrüstung offensichtlich nicht in einwandfreiem Zustand ist, muss die gesamte Ausrüstung von TRACTEL® oder einem Sachkundigen geprüft werden, der die Wiederinbetriebnahme des Systems schriftlich genehmigen muss. Vor jeder Benutzung ist eine Sichtkontrolle unerlässlich.
5. Jede Änderung oder Ergänzung der Ausrüstung kann nur mit vorheriger schriftlicher Genehmigung von TRACTEL® SAS erfolgen. Die Ausrüstung sollte immer im original Gerätebeutel transportiert und gelagert werden.
6. Diese Ausrüstung niemals verwenden, wenn deren letzte regelmäßige Prüfung länger als zwölf Monate zurückliegt. Sie kann erst wieder nach einer erneuten regelmäßigen Prüfung durch einen zugelassenen Sachkundigen benutzt werden, der das Gerät zur Benutzung freigibt. Ohne diese Prüfungen und Genehmigungen muss die Ausrüstung ausgemustert und vernichtet werden.
7. Die Maximallast der Ausrüstung beträgt 150 kg.
8. Wenn das Gewicht jedes Bedieners zuzüglich des Gewichtes seiner Ausrüstung und seines Werkzeugs zwischen 100 kg und 150 kg liegt, muss unbedingt sichergestellt werden, dass das Gesamtgewicht (Bediener + Ausrüstung + Werkzeug) die maximale Tragfähigkeit der einzelnen Elemente nicht überschreitet, aus denen das Auffangsystem besteht.
9. Diese Ausrüstung ist für einen Betrieb auf der Baustelle, im Freien und für einen Temperaturbereich von -35°C bis +60°C geeignet. Jeden Kontakt mit scharfen Kanten, scheuernden Flächen oder Chemikalien vermeiden.
10. Wenn Sie diese Ausrüstung einer angestellten Person oder einem anderen Benutzer anvertrauen müssen, müssen Sie die geltenden Arbeitsschutzbestimmungen einhalten.
11. Der Benutzer muss beim Betrieb dieser Ausrüstung in ausgezeichneter körperlicher und psychischer Verfassung sein. Im Zweifelsfall den Hausarzt bzw. Betriebsarzt konsultieren. Für schwangere Frauen verboten.
12. Die Ausrüstung darf niemals über ihre Grenzen hinaus oder in Situationen benutzt werden, für die sie nicht vorgesehen ist: siehe „4. Funktionsweise und Beschreibung“.

13. Die Ausrüstung sollte jedem Benutzer persönlich zugewiesen werden, insbesondere wenn es sich um angestellte Personen handelt.
14. Vor der Benutzung eines Auffangsystems nach EN 363 muss der Sicherheitsbeauftragte sicherstellen, dass alle Bestandteile in einwandfreiem Betriebszustand sind: Sicherheitssystem, Verriegelung. Beim Anschlagen und bei der Benutzung dürfen die Sicherheitsfunktionen nicht beeinträchtigt werden.
15. In einem Auffangsystem ist es von entscheidender Bedeutung, vor jeder Benutzung den Freiraum zur Aufprallfläche unter dem Arbeitsplatz des Bedieners zu prüfen, so dass er beim Absturz weder auf den Boden prallen noch auf Hindernisse stoßen kann.
16. Ein Auffanggurt ist das einzige Sicherheitsgeschirr, das in einem Auffangsystem verwendet werden darf.
17. Für die Sicherheit des Bedieners ist entscheidend, dass der Anschlagpunkt und das Auffangsystem richtig platziert und die Arbeiten so durchgeführt werden, dass die Absturzgefahr und die Absturzhöhe auf ein Minimum reduziert werden.
18. Wenn das Produkt in ein anderssprachiges Land weiterverkauft wird, muss der Händler zur Gewährleistung der Sicherheit des Benutzers Folgendes mitliefern: die Gebrauchsanleitung und die Anleitungen für Wartung, regelmäßige Prüfungen und Reparatur in der Landessprache des Einsatzortes.
19. Sicherstellen, dass ein Rettungsplan vorhanden ist.



HINWEIS

Für alle Sonderanwendungen wenden Sie sich bitte an TRACTEL®.

2. Definitionen und Piktogramme

2.1. Definitionen

„**Sicherheitsbeauftragter**“: Person oder Abteilung, die für die Verwaltung und Betriebssicherheit des in dieser Anleitung beschriebenen Produkts verantwortlich ist.

„**Sachkundiger**“: Qualifizierte Person, die für die in dieser Anleitung beschriebenen und dem Sicherheitsbeauftragten erlaubten Wartungsarbeiten zuständig ist, und die sachkundig und mit dem Produkt vertraut ist.

„**Benutzer**“: Person, die mit der Benutzung des Produkts beauftragt ist, für die es vorgesehen ist.

„**PSA**“: Persönliche Schutzausrüstungen gegen Absturz.

„**Karabiner**“: Verbindungselement zur Verbindung von Bestandteilen eines Auffangsystems. Entspricht der Norm EN 362.

„**Auffanggurt**“: Sicherheitsgeschirr zum Auffangen von Abstürzen. Bestehend aus Gurten und Verschlüssen. Enthält Auffangösen mit der Kennzeichnung A, wenn sie allein benutzt werden können, oder mit der Kennzeichnung A/2, wenn sie gemeinsam mit einer anderen Öse A/2 benutzt werden müssen. Entspricht der Norm EN 361.

„**Maximallast**“: Maximales Gewicht des bekleideten, zu bergenden Benutzers, ausgestattet mit PSA, Arbeitskleidung, Werkzeug und zur Durchführung der Arbeiten erforderlichen Elementen.

„**Rettungssystem**“: Aus folgenden Elementen bestehende Einheit:

- Auffanggurt bzw. Gurt mit Sitzklettergurt bzw. Gurt/Rettungsgurt.
- Rettungshubsystem.
- Anschlagpunkt trapcode™ Tractel®.
- Verbindungselement.

„**Element des Rettungssystems**“: Allgemeiner Ausdruck zur Bezeichnung eines der folgenden Elemente:

- Auffanggurt bzw. Gurt mit Sitzklettergurt bzw. Gurt/Rettungsgurt.
- Rettungshubsystem.
- Anschlagpunkt trapcode™ Tractel®.
- Verbindungselement.

„**Rettungshubgerät, EN 1496 Klasse A**“: Bestandteil oder Unterbaugruppe eines Rettungsgerätes, welches das Abseilen eines Benutzers durch einen Retter am Boden aus der Höhe oder Tiefe ermöglicht.

„**Rettungsgerät**“: Individuelle Schutzausrüstung gegen Absturz, die es einem Benutzer ermöglicht, sich selbst bzw. andere Personen zu retten, um Stürzte zu vermeiden.

2.2. Piktogramme



GEFAHR: Bezeichnet die Anweisungen zur Vermeidung von Personenschäden der Benutzer wie tödlichen, schweren oder leichten Verletzungen, sowie zur Vermeidung von Umweltschäden.



WICHTIG: Am Zeilenanfang befindliche Kennzeichnung der Anweisungen zur Vermeidung einer Störung oder Beschädigung der Ausrüstungen, die jedoch keine direkte Gefahr für das Leben und die Gesundheit des Benutzers oder anderer Personen darstellen und/oder keinen Umweltschaden verursachen.



HINWEIS: Am Zeilenanfang befindliche Kennzeichnung der Anweisungen zur Gewährleistung einer effizienten und zweckmäßigen Installation, Benutzung und Wartung.

3. Benutzungsbedingungen

Prüfung vor der Benutzung



WICHTIG: Die Winde caRol™ wurde mit ihrer Konsole für die Verwendung mit einem tracpode™ Tractel® getestet. Bitte wenden Sie sich für andere Installationen an Tractel®.

- Sicherstellen, dass die Konsole der Winde caRol™ an einem der Stützen des tracpode™ Tractel® verriegelt ist (siehe Abschnitt 4.2.1).
- Den Zustand des gesamten Seils überprüfen: Es darf keine Spuren von Biegung, Abrieb oder Korrosion und keine durchtrennten Drähte aufweisen.
- Den Zustand der Metallstruktur der Winde caRol™ prüfen (keine Verformung, Schrauben vorhanden ...).
- Den Betriebszustand der Winde caRol™ prüfen, indem die Kurbel in die Richtung „Heben“ und anschließend „Senken“ gedreht wird.
- Den Zustand und Betriebszustand des Karabiners prüfen: keine Korrosion oder sichtbare Verformung, Öffnen, Schließen und Verriegeln möglich.
- Den Zustand der mitverwendeten Ausrüstung prüfen: Anschlagpunkt des tracpode™ Tractel®, Auffanggurt und Karabiner. Siehe die jeweiligen Anleitungen der einzelnen Produkte.
- Das gesamte Rettungshubsystem prüfen.

4. Funktionsweise und Beschreibung

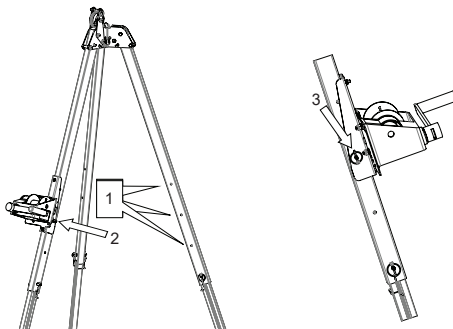
4.1. Die caRol™ 20 m /30 m

Die Winde caRol™ ist ein Rettungshubgerät (EN 1496 Klasse A); Sie ermöglicht es einem Retter, einen Benutzer in Not aus der Tiefe zu bergen. Sie wird geneigt verwendet, wenn sie an der Konsole des Tracpode installiert wird.

- Die Winde caRol™ verfügt über ein Seil Tractel® aus verzinktem Stahl und einer Länge von 20 oder 30 m.
- Die Winde caRol™ verfügt über eine spezifische Anschlagkonsole, die die Befestigung an einer der Stützen des tracpode™ Tractel®, mit einer Tragfestigkeit von mindestens 15 kN, ermöglicht.

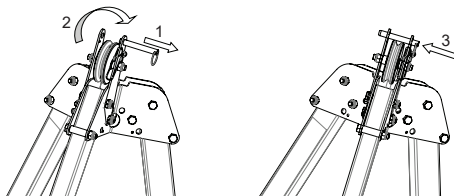
4.2.1 Installation der Winde caRol™ am tracpode™ Tractel®

1. - Die Winde caRol™ in der gewünschten Höhe am Tracpode installieren (3 mögliche Positionen). Siehe spezifische Anleitung des tracpode™ Tractel®.
2. - Den Sicherheitsbolzen in der Konsole des tracpode™ Tractel® einführen.
3. - Den Sicherheitsstift in den Sicherheitsbolzen einführen.



4.2.2 Verlegen des Seils in der Umlenkrolle des tracpode™ Tractel®.

1. - Die Seil-Absprungsicherung ziehen.
2. - Das Seil der Winde caRol™ in die Umlenkrolle einführen und durch den Kopf des tracpode™ ziehen.
3. - Den Bolzen eindrücken, um das Seil in der Umlenkrolle zu verriegeln.



5. Funktionsprinzip

5.1. Rettungshubeinsatz mit Seilwinde caRol™



Die Anwesenheit eines zweiten Benutzers in der Nähe ist für die eventuelle Bergung unerlässlich.

Vor der Inbetriebnahme muss eine Studie durchgeführt werden, die die Rettungsaktionen und die erforderlichen, menschlichen und materiellen Mittel festlegt, um den Benutzer in Not innerhalb von 15 Minuten zu retten. Über diesen Zeitraum hinaus besteht für den zu rettenden Benutzer Gefahr.

Bei Rettungseinsätzen wird die Verwendung eines bequemen Auffanggurtes oder ein Auffanggurt mit Schultergurt nach EN 1497 empfohlen. Der Auffanggurt

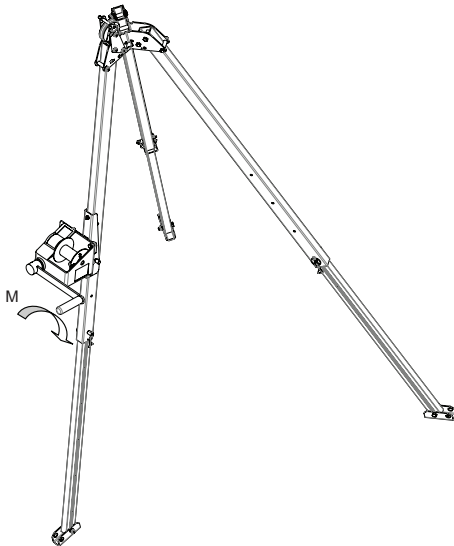
des zu rettenden Benutzers kann jedoch verwendet werden, sofern dieser mit einem solchen ausgerüstet ist.

Während der gesamten Rettungsphase muss ein direkter bzw. indirekter Sichtkontakt oder ein anderes Kommunikationsmittel zwischen Retter und den anderen Personen bestehen, die an der Rettung teilnehmen.



WICHTIG: Bei Rettungseinsätzen darf das Windensystem ausschließlich für die Rettung von Personen und nicht als Lastaufnahmesystem verwendet werden.

Im Rahmen von Rettungshubeinsätzen muss die Kurbel in Richtung des M-Pfeils gedreht werden, um den zu rettenden Benutzer nach oben zu bergen.



GEFAHR

Lasthubvorgang mit der Winde caRol™ :

Das Heben von Lasten mit der Winde caRol™ ist bei der Rettung aus der Tiefe von Personen oder bei Seilarbeiten, untersagt.

Bei Rettungseinsätzen darf das Windensystem ausschließlich für die Rettung von Personen verwendet werden.

6. Anwendungsverbote

Folgendes ist streng verboten:

- Installation oder Benutzung der Winde caRol™ ohne die entsprechende Befugnis, Schulung und anerkannte Sachkenntnis bzw. ohne unter der Verantwortung eines befugten, geschulten und sachkundigen Benutzers zu stehen.
- Benutzung der Winde caRol™, wenn die Kennzeichnung nicht lesbar ist.
- Installation oder Benutzung einer Winde caRol™, die nicht den jährlichen Prüfungen unterzogen wurde.
- Benutzung einer Winde caRol™, die in den vergangenen 12 Monaten nicht der regelmäßigen Prüfung durch einen Sachkundigen unterzogen wurde, der die erneute Benutzung schriftlich genehmigt hat.
- Installation der Winde caRol™, die in den vergangenen 12 Monaten nicht der regelmäßigen Prüfung durch einen Sachkundigen unterzogen wurde, der die erneute Benutzung schriftlich genehmigt hat.
- Benutzung der Winde caRol™ für eine andere Anwendung als die Rettung durch Anheben von Personen.
- Befestigung der Winde caRol™ über ein anderes Mittel als die spezifische Konsole für trapcode™.
- Benutzung einer Winde caRol™ unter Missachtung der Angaben von Abschnitt „14. Lebensdauer“.
- Benutzung der Winde caRol™ für die Rettung von mehr als einer Person gleichzeitig.
- Benutzung einer Winde caRol™ für die Rettung eines Benutzers mit einem Gewicht einschließlich Ausrüstung von über 150 kg.
- Benutzung einer Winde caRol™ mit einer Last zwischen 100 kg und 150 kg (Gesamtgewicht des Benutzers mit Ausrüstung und Werkzeug), wenn ein Element des Rettungssystems eine geringere Tragfähigkeit hat.
- Benutzung einer Winde caRol™ in hochkorrosiven oder explosionsgefährdeten Bereichen.
- Benutzung einer Winde caRol™ außerhalb des in dieser Anleitung angegebenen Temperaturbereichs.
- Benutzung einer Winde caRol™, wenn sich ein Hindernis im Evakuierungsweg befindet.
- Benutzung einer Winde caRol™, ohne in ausgezeichneter körperlicher Verfassung zu sein.
- Benutzung einer Winde caRol™, wenn die Sicherheitsfunktion eines der verbundenen Elemente durch die Sicherheitsfunktion eines anderen Elements beeinträchtigt wird oder diese beeinträchtigt.

- Benutzung einer Winde caRol™ für die Sicherung oder das Anheben einer Last, wenn der tracpode™ wie folgt verwendet wird:
 - Als Anschlagpunkt von Auffangsystemen
 - Als Notfallsystem
 - Als Anschlagssystem von Seil-Hubsystemen
- Benutzung des Windenseils caRol™ als Lastaufnahmemittel.
- Durchführung der Reparatur oder Wartung der Winde caRol™ ohne entsprechende Schulung und schriftliche Befugnis durch Tractel®.
- Benutzung der Winde caRol™, wenn sie unvollständig ist, wenn sie vorher demontiert wurde oder wenn Bauteile von einer nicht von Tractel® qualifizierten Person ersetzt wurden.

7. Installation

- Die Winde caRol™ muss an einer der drei Stützen des tracpode™ installiert werden.
- Der tracpode™ muss auf einem stabilen Boden installiert werden: siehe Abschnitt „Installation“ der Anleitung des tracpode™ Tractel®.

8. Bestandteile und Materialien

- Seil: verzinkter Stahl.
- Karabiner M47: verzinkter Stahl.
- Winde caRol™: lackierter Stahl.
- Windenkonsole caRol™: lackierter Stahl.

9. Zugehörige Ausrüstungen

Gemäß der Norm EN 363, wird die Winde caRol™ in ein Auffangsystem integriert, welches über die folgenden Elemente verfügen muss:

- Ein Anschlagpunkt (EN 795).
- Ein Karabiner am Seilende (EN 362).
- Ein Rettungshubgerät (EN 1496).
- Ein Karabiner (EN 362).
- Ein Auffanggurt (EN 361).

Alle sonstigen Zusammenstellungen sind verboten.

10. Wartung und Lagerung

- Wenn die Winde caRol™ schmutzig ist, muss sie mit klarem, kaltem Wasser gewaschen werden, dem gegebenenfalls Feinwaschmittel hinzuzufügen ist. Eine Kunststoffbürste benutzen.
- Wenn die Winde caRol™ beim Einsatz oder bei der Reinigung feucht geworden ist, muss sie im Schatten und fern von Wärmequellen auf natürliche Weise getrocknet werden.

- Die Ausrüstung bei Transport und Lagerung in einer feuchtigkeitsbeständigen Verpackung vor allen Gefahren schützen (direkte Wärmequellen, Chemikalien, UV-Strahlen usw.).
- Bei der Verunreinigung des Produktes, muss Tractel® oder einer seiner Händler kontaktiert werden.

11. Konformität der Ausrüstung

Die Firma TRACTEL SAS RD 619 – Saint-Hilaire-sous-Romilly – F-10102 Romilly-sur-Seine – Frankreich, erklärt hiermit, dass die in dieser Anleitung beschriebene Schutzausrüstung mit der Absturzsicherungs-ausrüstung identisch ist, die von APAVE SUDEUROPE SAS – CS 60193 – 13322 Marseille – Frankreich, gemäß der Norm EN 1496 geprüft wurde.

12. Produktkennzeichnung

Das Etikett auf den einzelnen Winden caRol™ gibt Folgendes an:

- die Handelsmarke: TRACTEL®,
- die Produktbezeichnung,
- die Bezugsnorm gefolgt vom Anwendungsjahr,
- die Artikelnummer,
- das Herstellungsdatum,
- die Seriennummer,
- ein Piktogramm, das anzeigt, dass vor dem Betrieb die Anleitung gelesen werden muss,
- der Seildurchmesser,
- die Maximallast,
- die maximale Arbeitslänge.

13. Regelmäßige Prüfung und Reparatur

Eine regelmäßige jährliche Prüfung ist obligatorisch, aber je nach Benutzungshäufigkeit, Umweltbedingungen und Vorschriften des Unternehmens oder Einsatzlandes können die regelmäßigen Prüfungen häufiger notwendig sein.

Die regelmäßigen Prüfungen müssen von einem befugten Sachkundigen gemäß den Prüfverfahren des Herstellers durchgeführt werden, die sich in der Datei „PSA-Prüfungsanleitung von TRACTEL®“ finden.

Die Prüfung der Lesbarkeit der Kennzeichnung auf dem Produkt ist fester Bestandteil der regelmäßigen Prüfung.

Nach Abschluss der regelmäßigen Prüfung muss die Wiederinbetriebnahme durch den befugten

Sachkundigen, der die regelmäßige Prüfung durchgeführt hat, schriftlich dokumentiert werden. Diese Wiederinbetriebnahme des Produkts muss auf der Kontrollkarte in der Mitte dieser Anleitung festgehalten werden. Diese Kontrollkarte muss während der gesamten Lebensdauer des Produkts bis zu seinem Abbezeitpunkt aufbewahrt werden.

14. Lebensdauer

Tractel® textile PSAgA-Produkte wie Auffanggurte, Verbindungsmittel, Seile und Falldämpfer Tractel® mechanische PSAgA-Produkte wie Stopcable™ und Stopfor™ Auffanggeräte, Blocfor™ Höhensicherungsgeräte sowie die horizontalen Tractel® Laufsicherungen, die mechanischen Rettungshubgeräte Tractel®, wie die Winden caRol™, können ohne Einschränkungen im Bezug auf ihr Herstellungsdatum eingesetzt und genutzt werden. Dies gilt unter folgenden Voraussetzungen:

- Normale Verwendung in Übereinstimmung mit der Bedienungsanleitung.
- Regelmäßige Prüfung wenigstens einmal jährlich durch einen befugten Sachkundigen. Nach Abschluss der regelmäßigen Prüfung muss die Wiederinbetriebnahme der Ausrüstung schriftlich genehmigt werden.
- Lagerungs- und Transportvorschriften des Produktes müssen exakt, wie in der Bedienungsanleitung spezifiziert, eingehalten werden.

15. Ausmusterung

Bei der Ausmusterung des Produkts müssen die einzelnen Bauteile durch Trennung der metallischen und synthetischen Werkstoffe recycelt werden. Diese Werkstoffe müssen von einem Fachunternehmen recycelt werden. Bei der Ausmusterung muss die Demontage der Bauteile von einer sachkundigen Person durchgeführt werden.

2 - Benutzung der Winde caRol™ als Lastaufnahmemittel nach Richtlinie 2006/42/EG:

Lasthubvorgang mit der Winde caRol™ :



GEFAHR: Die Winde caRol™ kann nicht als Lastaufnahmemittel verwendet werden, wenn der trapcode™ wie folgt verwendet wird:

- Als Anschlagpunkt von Auffangsystemen
- Als Notfallsystem
- Als Anschlagssystem von Seil-Hubsystemen

Die Maximallast beträgt 250 kg, wenn die Winde caRol™ an einer Stütze des trapcode™ verwendet wird.

Bei Lastaufnahmemitteln muss die Last am Karabiner am Ende des Gurtbands angeschlagen werden.

Während der gesamten Hebephase muss der Benutzer sicherstellen, dass sich kein anderer Benutzer unter der Last bei der Bewegung dieser befindet.

Für die Lastaufnahme muss die Kurbel in Richtung des Pfeils „M“ gedreht werden, um die Last anzuheben und in die entgegengesetzte Richtung gedreht werden, um die Last abzusetzen.

3 - Benutzung der Winde caRol™ für Seilarbeiten nach Richtlinie 2001/45/EG:

Seilarbeiten mit der Winde caRol™ :



GEFAHR: Die Winde caRol™ kann nicht als Lastaufnahmemittel verwendet werden, wenn der trapcode™ wie folgt verwendet wird:

- Als Anschlagpunkt von Auffangsystemen
- Als Notfallsystem
- Als Anschlagssystem von Seil-Hubsystemen

Seilarbeit mit der Winde caRol™:

Die Winde caRol™ kann als Seilarbeitssystem gemäß der Richtlinie 2001/45/EG des Europäischen Parlaments vom 27. Juni 2001 verwendet werden.

Bedingungen für den Einsatz von Seilzugangs- und Positionierungstechniken.

Das System muss über mindestens ein Arbeitsseil (z. B.: Notwinde caRol™, Abseilgerät, Blockiersystem) verfügen, das für den Zugang, das Heben, Senken und Halten verwendet wird, und über ein Sicherheitsseil mit Auffangsystem (Auffangsystem an einer beweglichen Führung vom Typ stopfor™ oder ein Höhensicherungsgerät mit automatischer Aufwicklung blocfor™). Diese beiden Vorrichtungen müssen separat nach EN 795 an zwei Anschlagpunkten oder einem Anschlagpunkt verankert werden, für den zuvor eine Berechnung durch den Arbeitgeber oder die kompetente Person durchgeführt wurde.

Die Benutzer, die die Seilzugangs- und Positioniertechnik anwenden, müssen mit einem geeigneten Auffanggurt ausgestattet sein, der mit dem Sicherungsseil und dem Arbeitsseil verbunden ist.



BELANGRIJK

De caRoI™ takel kan individueel gebruikt worden:

Als hijsstelsel naar boven voor reddingsdoeleinden (EN 1496)

of

Als systeem voor het hijsen van lasten conform de richtlijn 2006/42/EG

of

Als systeem voor werklijnen conform de richtlijn 2001/45/EG

Het is verboden om de verschillende toepassingen van de caRoI™ takel tegelijkertijd te gebruiken

NL

1 - Gebruik van de caRoI™ takel als hijsstelsel voor reddingsdoeleinden EN 1496:

Technische specificaties

Reddingsacties met de caRoI™ takel:

⚠ GEVAAR: de caRoI™ takel mag niet gebruikt worden als hijsmiddel voor lasten wanneer de trapode™ gebruik wordt als:

- Valbeveiligingsverankering
- Systeem voor reddingsoperaties
- Verankeringsstelsel voor werklijnen

Norm: EN 1496 categorie A

Model	CaRoI™ 20 m	CaRoI™ 30 m
Gewicht (kg)	9,34	16
Afmetingen L x B x H (mm)	400x275x100	600x320x130
Lengte gegalvaniseerde stalen kabel Ø 5 mm (m)	20 m	30 m

1. Algemene waarschuwingen

1. Alvorens deze uitrusting te gebruiken, is het absoluut noodzakelijk voor de gebruiksveiligheid en de doeltreffendheid van het materiaal dat de gebruiker de door TRACTEL® SAS geleverde handleiding leest en begrijpt. Deze handleiding moet bewaard en ter beschikking van alle gebruikers gesteld worden. Bijkomende exemplaren kunnen op aanvraag worden verkregen.
2. Alvorens dit veiligheidsmateriaal te gebruiken, is het noodzakelijk eerst een aangepaste opleiding aangaande het gebruik ervan gevolgd te hebben.

Controleer de staat van de bijbehorende uitrustingen en verzeker u ervan dat er voldoende vrije valhoogte is.

3. Deze uitrusting mag slechts door een enkele opgeleide en bevoegde operator worden gebruikt, of door een operator onder toezicht van een gebruiker.
4. Als deze uitrusting niet in schijnbaar goede staat verkeert, moet het geheel door TRACTEL® SAS of door een bevoegd persoon worden gecontroleerd. Deze persoon dient schriftelijk het hergebruik van het systeem goed te keuren. Een visuele controle vóór elk gebruik is verplicht.
5. Elke wijziging of toevoeging aan de uitrusting mag alleen gebeuren met het voorafgaand schriftelijk akkoord van TRACTEL® SAS. De uitrusting moet getransporteerd en opgeslagen worden in haar oorspronkelijk verpakking.
6. Iedere uitrusting die geen periodieke controle heeft ondergaan in de afgelopen twaalf maanden, mag niet worden gebruikt. Deze mag pas gebruikt worden nadat er opnieuw een periodieke inspectie is gebeurd door een bevoegde en bekwaame technicus die schriftelijk toestemming zal geven voor het gebruik ervan. Zonder deze inspecties en toestemmingen zal de uitrusting vervangen moeten worden door een nieuwe, en zal de oude moeten worden vernietigd.
7. De maximale gebruikslast van deze uitrusting bedraagt 150 kg.
8. Indien de massa van de operator plus de massa van zijn uitrusting en gereedschap tussen 100 en 150 kg ligt, mag deze totale massa (operator + uitrusting + gereedschap) de maximale gebruikslast van de elementen die deel uitmaken van het valstopstelsel niet overschrijden.
9. Deze uitrusting is geschikt voor gebruik in de buitenlucht en voor temperaturen tussen -35°C en +60°C. Vermijd elk contact met scherpe kanten, schurende oppervlakken en chemische producten.
10. Als u het materiaal aan een werknemer of aan een gelijkwaardig individu toevertrouwt, respecteer dan de van kracht zijnde verplichte arbeidsreglementeringen.
11. De operator moet tijdens het gebruik van de uitrusting in goede fysieke en psychologische staat verkeren. Raadpleeg bij twijfels uw arts of de bedrijfsarts. De uitrusting mag niet door zwangere vrouwen gebruikt worden.
12. De uitrusting mag niet gebruikt worden boven haar bedrijfsgrenzen, of in alle andere situaties waarvoor de uitrusting niet bestemd is: zie § "4. Functies en omschrijving".
13. Wij raden aan deze uitrusting aan elke operator persoonlijk toe te kennen, in het bijzonder als het werknemend personeel betreft.
14. Voordat u een valbeveiligingssysteem EN 363 gebruikt, moet de gebruiker ervoor zorgen dat alle

samenstellende onderdelen in goede bedrijfsstaat verkeren: veiligheidssysteem, vergrendeling. Bij het plaatsen van het toestel mogen de veiligheidsfuncties van het toestel niet aangetast zijn.

15. Bij een valbeveiligingssysteem is het belangrijk de vrije valhoogte onder de operator op de werkplaats te controleren vóór elk gebruik, zodat er bij een val geen risico bestaat op aanraking met de grond of met een obstakel op het traject van de val.
16. Een harnasgordel is de enige uitrusting voor het beveiligen van het lichaam die u mag gebruiken in een valbeveiligingssysteem.
17. Voor de veiligheid van de operator is het essentieel dat het harnas of het verankeringspunt correct gepositioneerd is en dat het werk zodanig wordt uitgevoerd dat het risico op vallen en de hoogte geminimaliseerd wordt.
18. Als het product verkocht wordt in een ander land dan het oorspronkelijk land, moet de verkoper voor de veiligheid van de operator het volgende leveren: de gebruiksaanwijzing, de instructies voor het onderhoud, periodieke controles en reparaties, opgesteld in de taal van het land van gebruik van het product.
19. Zorg ervoor dat er een reddingsplan is opgesteld.



OPMERKING

Aarzelt niet contact op te nemen met Tractel® S.A.S. voor alle speciale toepassingen.

2. Definities en pictogrammen

2.1. Definities

“Gebruiker”: Persoon of afdeling verantwoordelijk voor het beheer en de gebruiksviligheid van het in deze handleiding beschreven product.

“Technicus”: Bevoegd persoon, belast met de onderhoudswerkzaamheden die in deze handleiding worden beschreven en waarvoor de gebruiker is gemachtigd. Deze persoon kent het product en kan ermee werken.

“Operator”: Persoon die gebruik maakt van het product volgens de gebruiksnormen ervan.

“PBM”: Persoonlijke beschermingsmiddelen tegen het vallen van een bepaalde hoogte.

“Connector”: Verbindingsstuk tussen de onderdelen van een valbeveiligingssysteem. Dit element is conform de norm EN 362.

“Harnasgordel”: Valbeveiligingsuitrusting ter bescherming van het lichaam bestaande uit riemen en gespen. Omvat antivalbevestigingspunten gemarkeerd met een A indien ze alleen gebruikt mogen worden,

of met een A/2 indien ze in combinatie met een ander A/2-bevestigingspunt gebruikt dienen te worden. Dit element is conform de norm EN 361.

“Maximale gebruiksbelasting”: Maximale massa van de operator voorzien van zijn reddingsuitrusting en uitgerust met zijn PBM, werkkledij, gereedschap en onderdelen die hij nodig heeft voor de werkzaamheden.

“Reddingssysteem”: Een set van producten die uit de volgende elementen bestaat:

- Harnasgordel of harnas met zitgordels of reddingsharnas / reddingsgordels.
- Hijssysteem voor reddingsdoeleinden.
- Verankerung Tractel® tracpode™.
- Verbindingselement.

“Element van het reddingssysteem”: Algemene term die één van de volgende elementen aanduidt:

- Harnasgordel of harnas met zitgordels of reddingsharnas / reddingsgordels.
- Hijssysteem voor reddingsdoeleinden.
- Verankerung Tractel® tracpode™.
- Verbindingselement.

“Hijsmiddel voor reddingsdoeleinden EN 1496 categorie A”: onderdeel van persoonlijke reddingsuitrusting voor reddingsdoeleinden. De gebruiker is in staat om zichzelf van een laag punt naar hoger punt te hijsen, of zij worden omhoog getrokken door een redder.

“Reddingsuitrusting”: individueel valbeveiligingssysteem waarmee een operator zichzelf kan redden of andere personen kan redden om elke val te verhinderen.

2.2. Pictogrammen



GEVAAR: verwijst naar instructies om schade bij de gebruiker, in het bijzonder dodelijke, ernstige of lichte verwondingen, en milieuschade te voorkomen.



BELANGRIJK: Geplaatst aan het begin van een regel, geeft instructies om defecten en schade aan uitrusting te voorkomen, die echter geen rechtstreeks gevaar inhouden voor het leven of de gezondheid van de operator of van andere personen en/of die geen milieuschade kunnen veroorzaken.



OPMERKING: Geplaatst aan het begin van een regel, geeft instructies over het verzekeren van de doeltreffendheid of het gebruiksgemak van een installatie, het gebruik of de onderhoudswerkzaamheden.

3. Gebruiksvoorwaarden

Controles voor gebruik



BELANGRIJK: De caRol™ takel voorzien van een console is getest voor gebruik op een Tractel® tracpode™. Voor alle andere installaties moet u Tractel® raadplegen.

- Controleer of de console van de caRol™ takel stevig vergrendeld is op één van de benen van de Tractel® tracpode™ (zie § 4.2.1)
- Controleer de staat van de kabel over de volledige lengte: deze mag geen sporen van vouwen, schuren, roest of breuken vertonen.
- Controleer de staat van de metalen structuur van de caRol™ takel (geen vervormingen, aanwezigheid van schroeven, enz.).
- Controleer de werking van de caRol™ takel door de kruk te bedienen in de richting "omhoog" en daarna in de richting "omlaag".
- Controleer de staat en werking van de connector: geen zichtbare corrosie of vervorming en het openen, sluiten en blokkeren is mogelijk.
- Controleer de staat van de samenstellende onderdelen: verankering van de Tractel® tracpode™, harnas en connectors. Raadpleeg de specifieke handleidingen van elk product.
- Controleer het volledige hijsysteem voor reddingsdoeleinden.

4. Functies en omschrijving

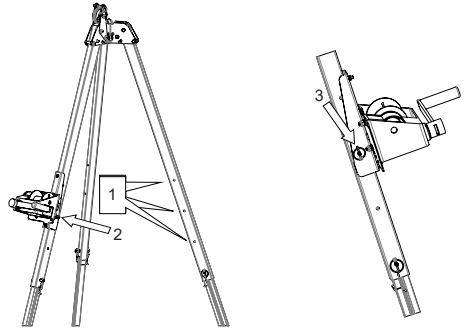
4.1. caRol™ 20 m /30 m

De caRol™ takel is een hijsmiddel naar boven voor reddingsdoeleinden (EN 1496 categorie A): een redder kan een operator in moeilijkheden naar boven hijsen. Deze wordt schuin gebruikt wanneer hij op de tracpode-console geïnstalleerd is.

- De caRol™ takel is voorzien van een Tractel®-kabel in gegalvaniseerd staal met een lengte van 20 of 30 m.
- De caRol™ takel is voorzien van een specifieke verankeringsconsole waarmee deze op één van de benen van de Tractel® tracpode™ bevestigd kan worden waarvan de minimale weerstand 15 kN moet zijn.

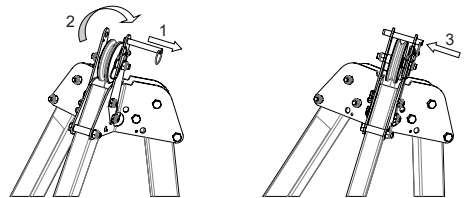
4.2.1 Installatie van de caRol™ takel op de Tractel® tracpode™

1. Plaats de caRol™ takel op de gewenste hoogte op de tracpode™ (3 mogelijke posities). Raadpleeg hiervoor de specifieke handleiding van de Tractel® tracpode™.
2. Steek de vergrendelingspen in de console en het been van de Tractel® tracpode™.
3. Steek de klempin in de vergrendelingspen



4.2.2 Plaatsing van de kabel op de kabelkatrol van de Tractel® tracpode™.

1. - Verwijder de kabelborgpen
2. Steek de kabel van de caRol™ takel in de kabelkatrol en dan in de kop van de Tracpode™.
3. - Plaats de pen om de kabel in de katrol te vergrendelen.



5. Werkingsprincipe

5.1. Reddingsacties met de caRol™ takel



De aanwezigheid van een tweede operator in de buurt is verplicht om een eventuele evacuatie uit te voeren.



Er dient een studie gemaakt te worden om de reddingsoperaties en het benodigde personeel en materieel te bepalen, die voorzien moeten worden voor het redden van een operator in moeilijkheden binnen een termijn van minder dan 15 minuten. De te redden operator is in gevaar als dit niet binnen deze termijn kan gebeuren.

Voor de reddingsoperaties wordt het gebruik van een comfortabel harnas of een harnas uitgerust met een reddingsgordel EN 1497 aanbevolen. Het is ook

Feuille de contrôle – Inspection sheet – Kontrollkarte – Controreblad – Hoja de revisión – Scheda di revisione – Folha de controle
Δελτίο ελέγχου – Kontrollskjema – Kontrollblad – Tarkastuslista – Kontrollblad – Карта контроля – Контрольный листок

Type de produit Produkttyp Produktbeschreibung Produkttype Tipo de producto Tipo di prodotto Τύπος προϊόντος Προϊκτύπος Tuotetyyppi Typ produktu Тип изделия	Références produit Produktreferens Codenummer Produktcode Referencia producto Riferimento prodotto Referência do produto Κωδικός προϊόντος Produktreferanse Tuotteen viitenumero Produktnummer Oznaczenie produktu Артикул изделия	Número de série Serial number Seriennummer Seriennummer Numero de serie Numero di serie Número de série Σειριακός αριθμός Seriennummer Serjanumner Seriennummer Numeri serijny Серийный номер	Nom de l'utilisateur Name des Benutzers Name des Benutzers Naam van de gebruiker Nombre del usuario Nome dell'utente Nome do utilizador Όνομα του Χρήστη Brukerens navn Användarens namn Käyttäjän nimi Brugers navn Nazwisko użytkownika Фамилия пользователя
Date of fabrication Herstellungsdatum Fabrikationsdatum Fabricación Data di produzione Data de fabrico Ημερομηνία κατασκευής Fabrikationsdato Valmistuspäivä F-fabrikationsdato Data produkcji Дата производства	Date d'achat Kaufdatum Ankopsdatum Data di acquisto Data de compra Ημερομηνία αγοράς Kjøpedato Inkopsdatum Östskedato Data zakupu Дата покупки	Date de mise en service Date of first use Datum ingebruikneming Einsatzdatum Data di messa in servizio Data de entrada em serviço Ημερομηνία θέσης σε λειτουργία Dato for bruk, første gang Första användningsdagen Käyttöönottopäivä Dato for brugslægning Дата przekazania do użytku Дата ввода в эксплуатацию	

Vérification – Inspection – Prüfung – Control – Verificaciones – Verifiche
Verificação – Έλεγχος – Kontroll – Kontroll – Tarkastus – Effersyn – Kontrola – Проверка

		Date Date Datum Fecha Data Ημερομηνία Datum Päivä Data Дата	Date of the prochain examen Date of next inspection Datum der nächsten Prüfung Fecha del próximo examen Data della prossima ispezione Ημερομηνία του επόμενου ελέγχου Dato for neste kontroll Nasta inspeksiostatum Seuraavan tarkastuksen päivämäärä Data for næste undersøgelse Data następnego przeglądu Дата следующей проверки	Nom du contrôleur Name of inspector Name des Prüfers Naam van de controller Nome del controllore Nome do controlador Όνομα του ελεγκτή Kontrollörens namn Besiktningmannens namn Tarkastajan nimi Kontrollörens namn Nazwisko kontrolującego Фамилия проверяющего	Visa Signature Unterschrift Gezien Firma Firma Επίσημη Visa Stämpel Hyväksyntä Underskrift Pozwolenie Подпись	Réparation – Repairing Reparatur – Herstelling Reparazione – Riparazione Reparação – Επιδιόρθωση Reparasjon – Reparation Korjaus – Repair Naprawa – Ремонт
---	---	--	--	---	---	---

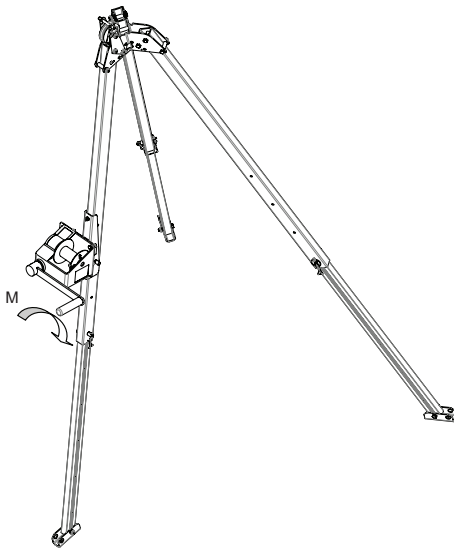
mogelijk de harnasgordel van de te redden operator te gebruiken wanneer deze hiermee is uitgerust.

Tijdens elke reddingsfase moet er direct of indirect visueel contact of elk ander communicatiemiddel zijn tussen de redder en de andere personen die bij de redding betrokken zijn.



BELANGRIJK: Tijdens reddingsoperaties is het takelsysteem uitsluitend bedoeld voor de redding en mag het niet ingezet worden om lasten te hijsen.

Tijdens een reddingsoperatie met de takel als hijsmiddel moet u de kruk in de richting van de pijl M bewegen om de operator naar boven te trekken.



GEVAAR

Hijsen van een last met de caRoL™ takel:

Het hijsen van last met de takel caRoL™ is strikt verboden wanneer deze als reddingsoperatie voor personen gebruikt wordt of als u tegelijkertijd wilt werken met werklijnen.

Tijdens reddingsoperaties is het takelsysteem uitsluitend bedoeld voor de redding.

6. Contra-indicaties voor gebruik

Het is strikt verboden:

- een caRoL™ reddingstakel te installeren of te gebruiken zonder hiervoor toestemming te hebben, zonder opgeleid en bevoegd erkend te zijn, of zonder onder toezicht van een competente, opgeleide en bevoegd erkende operator te werken.
- de caRoL™ takel te gebruiken als de markering niet leesbaar is.
- de caRoL™ takel te installeren of te gebruiken als deze niet op voorhand onderworpen werd aan controles.
- een caRoL™ takel te gebruiken die in de afgelopen 12 maanden geen periodieke inspectie heeft ondergaan door een technicus die het gebruik ervan schriftelijk heeft goedgekeurd.
- een caRoL™ takel te installeren op een Tractel® tracpode™ die in de afgelopen 12 maanden geen periodieke inspectie heeft ondergaan door een technicus die het gebruik ervan schriftelijk heeft goedgekeurd.
- een caRoL™ takel te gebruiken voor andere toepassingen dan het hijsen van personen naar boven voor reddingsdoeleinden.
- een caRoL™ takel te bevestigen met een ander middel dan de specifieke console voor tracpode™.
- een caRoL™ takel te gebruiken tegen de gebruiksprincipes zoals bepaald in paragraaf "14. Levensduur".
- een caRoL™ takel te gebruiken voor het redden van meer dan 1 operator tegelijkertijd.
- een caRoL™ takel te gebruiken voor het redden van een operator met een gewicht, inclusief zijn uitrusting en gereedschap, van meer dan 150 kg.
- een caRoL™ takel te gebruiken met een maximum last tussen 100 kg en 150 kg (totale massa van de te redden operator, zijn uitrusting en zijn gereedschap) indien een element van het reddingssysteem een lagere maximale gebruikslast heeft.
- een caRoL™ takel te gebruiken in een bijzonder corrosieve of explosieve atmosfeer.
- een caRoL™ takel te gebruiken buiten de temperatuurzone beschreven in deze handleiding.
- een caRoL™ takel te gebruiken als zich een obstakel op het reddingstraject bevindt.
- een caRoL™ takel te gebruiken als de operator niet in goede fysieke staat verkeert.
- een caRoL™ takel te gebruiken als de veiligheidsfuncties van één van de artikelen aangetast is door de veiligheidsfunctie van een ander artikel of hierop inwerkt.

- een caRol™ takel te gebruiken om een last te beveiligen of hijsen wanneer de tracode™ gebruikt wordt als:
 - valbeveiligingsverankerung
 - systeem voor reddingsoperaties
 - verankeringsstelsel voor werklijnen
- de kabel van de caRol™ takel te gebruiken als stropmiddel.
- reparatiewerkzaamheden of het onderhoud van de takel caRol™ uit te voeren zonder dat men hiervoor opgeleid en schriftelijk bevoegd is door TRACTEL®.
- de caRol™ takel te gebruiken wanneer deze niet volledig is, wanneer deze van te voren gedemonteerd is of wanneer er onderdelen vervangen zijn door een persoon die niet bevoegd verklaard is door TRACTEL®.

7. Installatie

- De caRol™ takel moet geplaatst worden op één van de drie benen van de tracode™.
- De tracode™ moet op een stabiele ondergrond geplaatst worden: zie § "Installatie" in de handleiding van de Tractel® tracode™.

8. Componenten en materialen

- Kabel: gegalvaniseerd staal
- Connector M47: verzinkt staal
- caRol™ takel: geverfd staal
- Console caRol™ takel: geverfd staal

9. Bijbehorende uitrustingen

Conform de norm EN 363 is de caRol™ takel in een valbeveiligingssysteem geïntegreerd dat verplicht uitgerust moet zijn met:

- Verankerung (EN 795).
- Uiteindeconnector (EN 362).
- Hijsmiddel voor reddingsdoelinden (EN 1496).
- Connector (EN 362).
- Harnasgordel (EN 361).

Gebruik van andere items of uitrusting is verboden.

10. Onderhoud en opslag

- Als een caRol™ takel vuil is, moet hij met zuiver en koud water worden gewassen, eventueel met een wasmiddel voor delicate kledij. Gebruik hierbij een synthetische borstel.
- Als, tijdens het gebruik of tijdens een wasbeurt, een caRol™ takel nat geworden is, moet men hem in de schaduw en beschermd tegen warmtebronnen laten drogen.

- Tijdens het transport en de opslag beschermt u de uitrusting in een vochtbestendige verpakking die tegen elk gevaar bestand is (directe warmtebron, chemische producten, uv-straling, enz.).
- Indien het product beschadigd is, raadpleeg dan Tractel® of één van zijn dealers.

11. Conformiteit van de installatie

Bij deze verklaart de firma TRACTEL SAS, RD 619 – Saint-Hilaire-sous-Romilly – F-10102 Romilly-sur-Seine – France, dat de in deze handleiding beschreven uitrusting identiek is aan de uitrusting die onderworpen werd aan de testen voor conformiteit met de norm 1496 van 2017 door APAVE SUDEUROPE SAS – CS 60193 – 13322 Marseille – Frankrijk

12. Markering

Het label van elke caRol™ takel geeft de volgende elementen aan:

- a. De commerciële merknaam: TRACTEL®,
- b. De naam van het product,
- c. De referentienorm, gevolgd door het jaar van toepassing,
- d. De referentie van het product
- f. De productiedatum
- g. Het serienummer,
- h. Een pictogram dat aangeeft dat de handleiding gelezen moet worden voor elk gebruik,
- n. Diameter van de kabel
- w. Maximale gebruikslast.
- x. Maximale gebruikslengte

13. Periodieke controle en reparatie

Een jaarlijkse periodieke inspectie is verplicht, maar naar gelang de gebruiksfrequentie, de omgevingsomstandigheden en de regelgeving van het bedrijf of van het land waarin het gebruikt wordt, kan het zijn dat er vaker periodieke inspecties uitgevoerd moeten worden.

De periodieke controles moeten uitgevoerd worden door een bevoegd en bekwaam persoon in overeenstemming met de inspectieprocedures van de fabrikant die ook opgenomen zijn in het bestand 'controleprocedures voor Tractel® PBM.'

De controle van de leesbaarheid van de markering op het product maakt integraal onderdeel uit van de periodieke inspectie.

Aan het einde van de periodieke inspectie moet de inbedrijfstelling opnieuw schriftelijk bevestigd

worden door een bevoegde en bekwame technicus die de periodieke inspectie heeft uitgevoerd. Deze inbedrijfstelling van het product moet geregistreerd worden op het controleblad in het midden van deze handleiding. Dit controleblad moet tijdens de gehele levensduur van het product bewaard worden, totdat het product vervangen wordt.

14. Levensduur

De PBM in textiel van TRACTEL® zoals de harnassen, leiemen, lijnen, koorden en energieabsorbers, de mechanische PBM van TRACTEL® zoals de antivalbescherming stopcable™ en stopfor™ en de valstoppen met automatische retour zoals de blocfor™ en de levenslijnen van TRACTEL®, de mechanische hijsmiddelen voor reddingsdoelinden van TRACTEL® zoals de caRol™ takel kunnen worden gebruikt vanaf de productiedatum op voorwaarde dat zij worden onderworpen aan:

- een normaal gebruik met inachtneming van de gebruiksinstructies uit deze handleiding,
- een periodieke inspectie die tenminste 1 keer per jaar door een bevoegde en bekwame technicus moet worden uitgevoerd. Aan het einde van deze periodieke inspectie moet deze uitrusting schriftelijk bedrijfsklaar worden verklaard;
- een strenge naleving van de opslag- en transportvoorwaarden die in deze handleiding staan beschreven.

15. Afdankprocedure

Bij het afdanken van het product is het verplicht de verschillende onderdelen te recyclen door de metalen materialen van de synthetische materialen te scheiden. Deze materialen moeten bij gespecialiseerde organismen gerecycled worden. Bij het afdanken moet de demontage, voor de scheiding van de bestanddelen, uitgevoerd worden door een deskundig persoon.

2 - Gebruik van de caRol™ takel voor het hijsen van lasten conform de richtlijn 2006/42/EG:

Hijsen van een last met de caRol™ takel:



GEVAAR: de caRol™ takel mag niet gebruikt worden als hijsmiddel voor lasten wanneer de tracpode™ gebruikt wordt als:

- Valbeveiligingsverankering
- Systeem voor reddingsoperaties
- Verankeringsysteem voor werklijnen

De maximale gebruikslast bedraagt 250 kg wanneer de caRol™ takel gebruikt wordt op één van de benen van de tracpode™

Voor het hijsen moet u de last bevestigen aan de connector op het einde van de kabel.

Tijdens het hijsen moet de operator zeker zijn dat geen enkele andere operator zich onder de last bevindt wanneer deze in beweging is.

Tijdens het hijsen moet u de kruk in de richting van de pijl M bewegen om de last naar boven te trekken en in de andere richting om deze te laten zakken.

3 - Gebruik van de caRol™ takel als systeem voor werklijnen conform de richtlijn 2001/45/EG:

Gebruik als werklijn met de caRol™ takel:



GEVAAR: de caRol™ takel mag niet gebruikt worden als hijsmiddel voor lasten wanneer de tracpode™ gebruikt wordt als:

- Valbeveiligingsverankering
- Systeem voor reddingsoperaties
- Verankeringsysteem voor werklijnen

Gebruik als werklijn met de caRol™ takel:

De caRol™ takel kan gebruikt worden als systeem voor werklijnen conform de richtlijn 2001/45/EG van het Europees parlement van 27 juni 2001.

Na te leven voorwaarden voor het gebruik van toegangs- en positioneringstechnieken met lijnen

Het systeem moet minstens een werklijn (of -kabel) omvatten (vb.: een caRol™ reddingstakel, een afdaalapparaat, een stopper) dat dienst doet als een middel voor toegang, stijgen of dalen en ondersteunen. De veiligheidslijn (of -kabel) moet voorzien zijn van een valbeveiligingssysteem (een valstop op een flexibele ankerlijn van het type Stopfor™ of een valstop met automatische retour van het type Blocfor™). Deze twee middelen moeten gescheiden verankerd worden aan twee verankeringspunten conform de norm EN795 of aan één verankeringspunt waarvoor een berekeningsnota is opgesteld door de werkgever of een deskundig persoon.

De operatoren die de toegangs- en positioneringstechnieken met lijnen gebruiken moeten uitgerust zijn met een geschikte harnasgordel die ze moeten gebruiken en verbinden met de veiligheids- en werklijn.



IMPORTANTE

El cabestrante caRoI™ puede utilizarse individualmente como: sistema de salvamento mediante izado (EN 1496)

o

sistema de elevación de carga de conformidad con lo expuesto por la Directiva 2006/42/CE

o

sistema de trabajo en suspensión mediante cuerda de conformidad con lo expuesto por la Directiva 2001/45/CE.

Cuando se utilice el cabestrante caRoI™, queda prohibido adicionar simultáneamente las aplicaciones de uso las unas a las otras.

1- Uso del cabestrante caRoI™ en modo salvamento mediante izado EN 1496:

Características técnicas

Dispositivo de salvamento con el cabestrante caRoI™:

⚠ PELIGRO: el cabestrante caRoI™ no se puede utilizar como medio de elevación de carga cuando se emplee el trapcode™ como:

- punto de anclaje anticaídas
- sistema de rescate
- sistema de anclaje para trabajos en suspensión mediante cuerda

Normativa: EN 1496 clase A

Modelo	CaRoI™ 20 m	CaRoI™ 30 m
Peso (kg)	9,34	16
Dimensiones largo x ancho x alto (mm)	400 x 275 x 100	600 x 320 x 130
Largo del cable de acero galvanizado de Ø 5 mm (m)	20 m	30 m

1. Instrucciones prioritarias

1. Antes de utilizar este equipo, es indispensable que el usuario lea y comprenda las instrucciones que figuran en el manual proporcionado por TRACTEL® SAS para utilizar el material con total seguridad y sacarle el mayor rendimiento. Este manual debe conservarse y ponerse a disposición de todos los usuarios. Se pueden enviar más ejemplares bajo pedido.
2. Es imprescindible formarse antes de utilizar este material de seguridad. Verifique el estado de los

equipos asociados y asegúrese de que la altura libre es la suficiente.

3. Este equipo solo lo puede utilizar por un operario formado y competente, o bajo la vigilancia de dicho operario.
4. Si este equipo no presenta un buen estado aparente, el conjunto del equipo deberá ser inspeccionado por TRACTEL® SAS o por un técnico habilitado y competente, quien deberá autorizar por escrito la reutilización del sistema. Es imperativo realizar una inspección visual previa a cada uso.
5. No se puede hacer ninguna modificación o añadido al equipo sin la autorización previa por escrito de TRACTEL® SAS. El equipo debe transportarse y guardarse en su embalaje original.
6. Los equipos que no hayan pasado una inspección periódica en los últimos 12 meses no deberán utilizarse. Solamente podrá usarse otra vez después de que un técnico habilitado y competente realice una inspección periódica y autorice por escrito su uso. A falta de dicha inspección y autorización, el equipo será retirado del servicio y destruido.
7. La carga máxima de trabajo que puede soportar este equipo es de 150 kg.
8. Si la masa del operario junto con la masa de su equipo y herramientas está comprendida entre 100y 150 kg, es imperativo asegurarse de que la masa total (operario + equipo + herramientas) no exceda la carga máxima de utilización de cada uno de los elementos que constituyen el sistema anticaídas.
9. Este equipo sirve para usarse en obras al aire libre y en rangos de temperatura entre - 35°C y + 60°C. Evitar el contacto con bordes afilados, superficies abrasivas y productos químicos.
10. Si tiene que proporcionar este material a una persona asalariada o asimilada, asegúrese de que cumple con la normativa de trabajo aplicable.
11. El operario debe estar en buenas condiciones físicas y psicológicas cuando utilice el equipo. En caso de duda, consulte a su médico o al médico laboral. Queda prohibido su uso en embarazadas.
12. El equipo no debe utilizarse excediendo sus límites ni en ninguna situación diferente a las previstas: cf. "4. Funciones y descripción".
13. Se recomienda suministrar este equipo personalmente a cada operario, especialmente si se trata de personal asalariado.
14. Antes de la utilización de un sistema anticaídas EN 363, el usuario debe asegurarse de que todos los componentes funcionan correctamente (sistema de seguridad y de bloqueo). Durante la instalación, las funciones de seguridad no deben degradarse.

15. Siempre que se vaya a utilizar un sistema anticaídas, es esencial que en el lugar de trabajo se compruebe el espacio que queda libre debajo del usuario para que, en caso de caída, no haya riesgo de colisión con el suelo y no haya ningún obstáculo en la trayectoria de caída.
16. En un sistema anticaídas, el único dispositivo de sujeción del cuerpo permitido es el arnés anticaídas.
17. Para la seguridad del operario, es esencial que el dispositivo o el punto de anclaje esté colocado correctamente y que el trabajo se realice de manera que se reduzca al mínimo el riesgo de caídas así como su altura.
18. Por cuestiones de seguridad del operario, si el producto se vende de nuevo fuera del primer país de destino, el distribuidor deberá proporcionar un manual de instrucciones, instrucciones sobre su mantenimiento, instrucciones sobre las inspecciones periódicas e instrucciones sobre las reparaciones en el idioma del país de utilización del producto.
19. Asegurarse de prever un plan de salvamento.



NOTA

Para toda aplicación especial, no dude en ponerse en contacto con TRACTEL® S.A.S.

2. Definiciones y pictogramas

2.1. Definiciones

“**Usuario**”: Persona o servicio responsable de la gestión y de la seguridad de utilización del producto descrito en el manual.

“**Técnico**”: Persona cualificada a cargo de las operaciones de mantenimiento descritas y permitidas en el manual; persona competente y familiarizada con el producto.

“**Operario**”: Persona que interviene en la utilización del producto conforme a la finalidad prevista de este.

“**EPI**”: Equipos de protección individual contra las caídas de altura.

“**Conector**”: Elemento de conexión entre componentes de un sistema de detención de caídas. Cumple con la norma EN 362.

“**Arnés anticaídas**”: Dispositivo de prensión del cuerpo destinado a parar las caídas. Está constituido de correas y hebillas. Tiene puntos de enganche anticaída marcados con una A si pueden usarse individualmente, o marcados con una A/2 si deben usarse en combinación con otro punto A/2. Cumple con la norma EN 361.

“**Carga máxima de utilización**”: Masa máxima del operario de rescate equipado, provisto del EPI, la ropa de trabajo, herramientas y equipo necesario para la intervención.

“**Sistema de rescate**”: Conjunto compuesto de los siguientes elementos:

- Arnés anticaídas o arnés con banda de muslo o arnés/correa de salvamento.
- Sistema de salvamento mediante izado.
- Anclaje trapcode™ Tractel®.
- Elemento de unión.

“**Elemento del sistema de salvamento**”: Término genérico que define los siguientes elementos:

- Arnés anticaídas o arnés con banda de muslo o arnés/correa de salvamento.
- Sistema de salvamento mediante izado.
- Anclaje trapcode™ Tractel®.
- Elemento de unión.

“**Dispositivo de salvamento mediante izado EN 1496 clase A**”: componente o subconjunto de un equipo de salvamento que permite el encabestrado de un operario con la ayuda de un rescatador desde un punto bajo a uno alto.

“**Equipo de salvamento**”: sistema de protección individual anticaídas gracias al cual un operario puede salvarse a sí mismo o salvar a terceros de manera que se evite cualquier caída.

2.2. Pictogramas



PELIGRO: designa las instrucciones destinadas a evitar daños a los operarios, especialmente: las heridas mortales, graves o ligeras, así como daños al medio ambiente.



IMPORTANTE: Colocado al comienzo de una frase, indica que se trata de instrucciones destinadas a evitar un fallo o avería de los equipos, pero que no pone directamente en peligro la vida o la salud del operario o de otras personas, o que no puede ocasionar daño al medio ambiente.



AVISO: Colocado al comienzo de una frase, indica que se trata de instrucciones destinadas a asegurar la eficacia o la comodidad de una instalación, una utilización o una operación de mantenimiento.

3. Condiciones de utilización

Comprobaciones antes del uso



IMPORTANTE: El cabestrante caRol™ equipado de la consola ha sido probado para su uso sobre el trapcode™ Tractel®. Para cualquier otro tipo de instalación póngase en contacto con Tractel®

- Comprobar que la consola del cabestrante caRol™ se ha bloqueado correctamente sobre una de las patas del tracpode™ Tractel® (ver § 4.2.1)
- Comprobar el estado de la totalidad del cable, este no debe presentar: trazas de pliegues, de abrasión, de corrosión o de hilos cortados.
- Comprobar el estado de la estructura metálica del cabestrante caRol™. Esta no debe presentar deformaciones o tornillos, entre otros.
- Comprobar el funcionamiento del cabestrante caRol™ accionando la manivela en sentido “ascenso” y después en sentido “descenso”.
- Comprobar el estado y el funcionamiento del conector, este no debe presentar signos de corrosión o de deformación, o posibles aperturas, cierres y bloqueos.
- Comprobar el estado de los componentes asociados: Anclaje del tracpode™ Tractel®, arnés y conectores. Remitirse a los manuales específicos de cada uno de los productos.
- Compruebe el sistema de salvamento mediante izado por completo.

4. Funciones y descripción

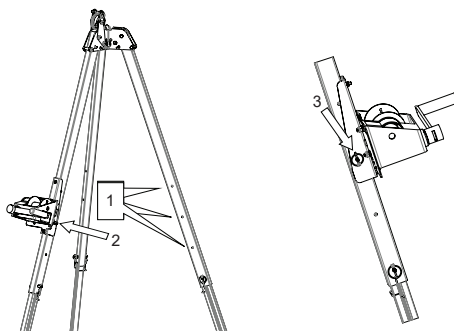
4.1. El caRol™ 20 m/30 m

El cabestrante caRol™ es un dispositivo de salvamento mediante izado (EN 1496 clase A) que permite a un rescatador remontar a un operario en peligro. Este se utiliza inclinado cuando se instala sobre la consola del tracpode.

- El cabestrante caRol™ está equipado de un cable Tractel® de acero galvanizado cuya longitud es de 20 o 30 m.
- El cabestrante caRol™ está equipado de una consola de anclaje específica que permite fijarlo a una de las patas del tracpode™ Tractel®, cuya resistencia mínima debe ser de 15 kN.

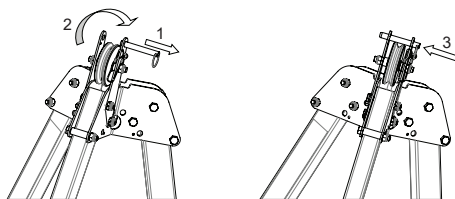
4.2.1 Instalación del cabestrante caRol™ sobre el Tracpode™ Tractel®

1. - Colocar el cabestrante caRol™ a la altura deseada sobre el tracpode™, este dispone de 3 posiciones. Para ello, consultar el manual de instrucciones específico del tracpode™ Tractel®.
2. - Insertar el husillo de bloqueo en la consola y en la pata del tracpode™ Tractel®.
3. - Introduzca el pasador en el husillo de bloqueo



4.2.2 Instalación del cable en la polea de retorno del tracpode™ Tractel®.

1. – Tirar del husillo antisalto de cable
2. - Pasar el cable del cabestrante caRol™ a través de la polea de retorno y posteriormente por el interior del cabezal del Tracpode™.
3. - Empuje el husillo para bloquear el cable en la polea.



5. Principio de funcionamiento

5.1. Dispositivo de salvamento con el cabestrante caRol™



PELIGRO

La presencia de un segundo operario en las proximidades es imperativa para realizar una eventual evacuación.

Las operaciones de salvamento deben haber pasado por un estudio programado con el objetivo de definir los medios humanos y materiales necesarios para auxiliar a un operario en riesgo en un periodo de tiempo inferior a 15 minutos. Un plazo de tiempo superior pondría en peligro al operario.

En el caso de las operaciones de salvamento, se recomienda el uso de un arnés cómodo o de un

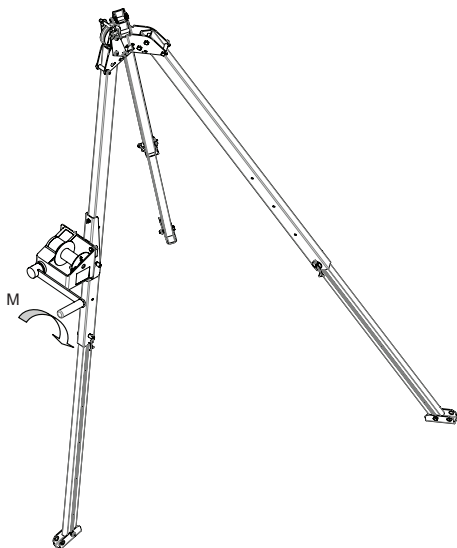
arnés equipado de un lazo de salvamento EN 1497. No obstante, es posible utilizar el arnés anticaidas del operario objeto del rescate, si este está equipado de él.

Durante toda la operación de salvamento, debe existir un contacto visual directo o indirecto, o cualquier otro medio de comunicación entre el rescatador y el resto de personas que toman parte en el rescate.



IMPORTANTE: Durante las operaciones de salvamento, el sistema de encabestrado debe estar exclusivamente destinado a las operaciones de rescate y no puede utilizarse para elevar cargas.

Para llevar a cabo la operación de salvamento mediante izado, accionar la manivela en el sentido de la flecha M para evacuar por elevación al operario en peligro.



PELIGRO

Operación de elevación de carga con el cabestrante caRol™:

Toda operación de elevación de carga con el cabestrante caRol™ queda prohibida cuando se realice una operación de salvamento por elevación o durante los trabajos en los que el operario está suspendido mediante una cuerda.

Durante las operaciones de salvamento, el sistema de encabestrado debe estar exclusivamente destinado a las operaciones de rescate.

6. Contraindicaciones de empleo

Queda terminantemente prohibido:

- instalar o utilizar un cabestrante de salvamento caRol™ sin haber sido autorizado, formado y reconocido como competente o, en su defecto, sin estar bajo la vigilancia de un operario autorizado, formado y reconocido como competente.
- utilizar un cabestrante caRol™ si su marcado no es legible.
- instalar o utilizar un cabestrante caRol™ que no haya sido sometido a comprobaciones previas.
- utilizar un cabestrante caRol™ que no haya sido sometido a una inspección periódica durante los últimos 12 meses por parte de un técnico que haya autorizado su reutilización por escrito.
- instalar un cabestrante caRol™ sobre un trapcode™ Tractel® que no haya sido sometido a una inspección periódica durante los últimos 12 meses por parte de un técnico que haya autorizado su reutilización por escrito.
- utilizar un cabestrante caRol™ para cualquier otro uso que no sea el de salvamento por elevación.
- fijar un cabestrante caRol™ por cualquier otro medio que no sea mediante la consola específica para trapcode™.
- utilizar un cabestrante caRol™ desoyendo la información detallada en el párrafo "14. Vida útil".
- utilizar un cabestrante caRol™ para rescatar a más de un operario a la vez.
- utilizar un cabestrante caRol™ para rescatar a un operario cuya masa, equipo y herramientas superan los 150 kg.
- utilizar un cabestrante caRol™ con una carga entre los 100 y los 150 kg (masa total del operario, de su equipo y herramientas) si un elemento del sistema de salvamento tiene una carga máxima de utilización menor.
- utilizar un cabestrante caRol™ en una atmósfera altamente corrosiva o explosiva.
- utilizar un cabestrante caRol™ fuera del rango de temperatura especificado en el presente manual.
- utilizar un cabestrante caRol™ si existe un obstáculo en la trayectoria de la evacuación.
- utilizar un cabestrante caRol™ si el operario no está en plena forma física.
- utilizar un cabestrante caRol™ si la función de seguridad de uno de los artículos asociados está afectada por la función de seguridad de otro artículo o si interfiere con esta.

- utilizar un cable de cabestrante caRol™ para asegurar o elevar una carga de material si el trapcode™ es utilizado como:
 - punto de anclaje anticaídas
 - sistema de rescate
 - sistema de anclaje para trabajos sobre cuerda
- utilizar el cable del cabestrante caRol™ como medio de eslingado.
- realizar labores de reparación o de mantenimiento del cabestrante caRol™ sin que TRACTEL® le haya formado y habilitado a tal efecto por escrito.
- utilizar un cable de cabestrante caRol™ si no está completo, si ha sido desmontado previamente o si algunos componentes han sido sustituidos por una persona no habilitada por TRACTEL®.

7. Instalación

- El cable de cabestrante caRol™ debe instalarse sobre una de las tres patas del trapcode™.
- El trapcode™ debe estar instalado sobre suelo firme (ver § "instalación" del manual del trapcode™ Tractel®).

8. Componentes y materiales

- Cable: de acero galvanizado.
- Conector M47: de acero tratado con zinc
- Cable de cabestrante caRol™: de acero pintado
- Consola del cable de cabestrante caRol™: de acero pintado

9. Equipos asociados

De conformidad con lo expuesto en la normativa EN 363, el cable de cabestrante caRol™ forma parte del sistema anticaídas, el cual debe incluir obligatoriamente:

- Un anclaje (EN 795).
- Un conector de extremo (EN 362).
- Un dispositivo de salvamento mediante izado (EN 1496).
- Un conector (EN 362).
- Un amés anticaídas (EN 361).

Cualquier otra asociación queda prohibida.

10. Mantenimiento y almacenamiento

- Si un cable de cabestrante caRol™ está sucio, hay que lavarlo con agua limpia y fría, y, eventualmente, con un detergente para textiles delicados; utilizar un cepillo sintético.
- Si un cable de cabestrante caRol™ se moja durante la utilización o el lavado, hay que dejarlo secar naturalmente a la sombra y lejos de toda fuente de calor.
- Durante el transporte y el almacenamiento, es preciso proteger el equipo en un embalaje resistente a la

humedad contra cualquier riesgo (fuente de calor directa, productos químicos, radiación UV, etc.).

- En caso de contaminación, póngase en contacto con Tractel® o uno de sus comerciales.

11. Conformidad del equipo

El grupo TRACTEL® SAS (RD 619 – Saint-Hilaire-sous-Romilly – F-10102 Romilly-sur-Seine, Francia) declara por la presente que el equipo de seguridad que se describe en este manual se corresponde con el empleado para las pruebas de conformidad con la normativa EN 1496 de 2017 por APAVE SUDEUROPE SAS (CS 60193 – 13322 Marsella, Francia)

12. Marcado

La etiqueta de cada uno de los cables de cabestrante caRol™ indica:

- La marca comercial: TRACTEL®
- La denominación del producto
- La norma de referencia del año de aplicación
- La referencia del producto
- Fecha de fabricación
- El número de serie
- Un pictograma que indica que hay que leer el manual antes de la utilización
- El diámetro del cable
- La carga máxima de utilización
- El largo máximo de utilización

13. Examen periódico y reparación

Es obligatorio realizar un examen periódico anual pero, en función de la frecuencia de utilización, las condiciones ambientales y la normativa de la empresa o del país en el que se use, los exámenes periódicos pueden ser más frecuentes.

Las inspecciones periódicas deben ser realizadas por un técnico autorizado y competente, respetando el procedimiento de inspección del fabricante transcrito en el archivo "Instrucciones de verificación de los EPI TRACTEL®".

Comprobar la legibilidad del marcado del producto forma parte del examen periódico.

Al terminar el examen, el técnico habilitado y competente que haya realizado la revisión deberá autorizar su reutilización por escrito. Esta nueva puesta en servicio del producto debe ser registrada en la hoja de control que se encuentra en medio del presente manual. Esta hoja de control ha de ser conservada durante toda la vida del producto y hasta su puesta fuera de servicio.

14. Vida útil

Los EPI textiles TRACTEL® como los arneses, las eslingas, las cuerdas y los amortiguadores; así como los EPI mecánicos TRACTEL® como los dispositivos anticaídas Stopcable™ y Stopfor™; los dispositivos anticaídas retráctiles Blocfor™; y las líneas de vida TRACTEL® y los equipos de salvamento mecánicos mediante izado de TRACTEL® como los cabestrantes caRol™ se pueden utilizar a condición de que desde su fecha de fabricación hayan sido objeto de:

- una utilización normal que respete las recomendaciones de uso descritas en este manual.
- un examen periódico que debe ser realizado como mínimo 1 vez al año por un técnico autorizado y competente. Al final de esta inspección periódica, el equipo debe ser declarado apto para su nueva puesta en servicio por escrito.
- el estricto respeto de las condiciones de almacenamiento y de transporte mencionadas en este manual.

15. Desecho

Al realizar la eliminación del producto, es obligatorio reciclar los distintos componentes mediante una clasificación de las materias metálicas y mediante una clasificación de los materiales sintéticos. Estos materiales deben reciclarse ante organismos especializados. Al realizar la eliminación, el desmontaje para la separación de los componentes debe ser realizado por una persona competente.

2. Utilización del cabestrante caRol™ en modo de elevación de carga de conformidad con la Directiva 2006/42/CE:

Operación de elevación de carga con el cabestrante caRol™:



PELIGRO, el cabestrante caRol™ no se puede utilizar como medio de elevación de carga cuando se emplee el tracpode™ como:

- punto de anclaje anticaídas
- sistema de rescate
- sistema de anclaje para trabajos en suspensión mediante cuerda

La carga máxima de trabajo es de 250 kg cuando el cabestrante caRol™ está instalado sobre una de las patas del tracpode™

Para las operaciones de elevación, enganchar la carga al conector del extremo del cable

Durante toda la fase de elevación, el operario debe asegurarse de que ningún otro operario se encuentre bajo la carga durante su desplazamiento.

Para realizar la operación de elevación de carga, accionar la manivela en el sentido de la flecha M para elevar la carga y en el sentido contrario para hacer descender la carga.

3. Utilización del cabestrante caRol™ para el trabajo en suspensión mediante cuerda de conformidad con la Directiva 2001/45/CE:

Operación de trabajo en suspensión mediante cuerda con el cabestrante caRol™:



PELIGRO, el cabestrante caRol™ no se puede utilizar como medio de elevación de carga cuando se emplee el tracpode™ como:

- punto de anclaje anticaídas
- sistema de rescate
- sistema de anclaje para trabajos en suspensión mediante cuerda

Trabajo en suspensión mediante cuerda con el cabestrante caRol™:

El cabestrante caRol™ puede utilizarse como sistema de trabajo en suspensión mediante cuerda de conformidad con la Directiva 2001/45/CE del Parlamento Europeo del 27 de junio de 2001.

Condiciones que hay que respetar para utilizar las técnicas de acceso y de posicionamiento mediante cuerda.

El sistema debe incluir, al menos, una cuerda (o un cable) de trabajo (p. ej.: un cabestrante de salvamento caRol™, un descensor o un bloqueador) que sirva como medio de acceso, de subida o de descenso y de sujeción, y una cuerda (o un cable) de seguridad equipado con un sistema anticaídas (un anticaídas sobre un soporte de anclaje flexible tipo Stopfor™ o un anticaídas retráctil de tipo Blocfor™). Estos dos dispositivos deben estar anclados por separado sobre dos puntos de anclaje conforme a la normativa EN 795 o sobre un punto de anclaje basado en una nota de cálculo realizada por el empleador o una persona competente.

Los operarios que empleen la técnica de acceso y posicionamiento mediante cuerda deben estar equipados con un arnés anticaídas apropiado, el cual deben utilizar y unir a la cuerda de seguridad, así como a la cuerda de trabajo.



IMPORTANTE

Il verricello caRol™ può essere utilizzato singolarmente:
Come sistema di sollevamento verso l'alto per salvataggio (EN 1496)

o

Come sistema di sollevamento di carichi conforme alla direttiva 2006/42/CE

o

Come sistema di lavoro in quota su fune conforme alla direttiva 2001/45/CE.

L'impiego del verricello caRol™ non prevede la sovrapposizione contemporanea di più applicazioni di utilizzo.

1 - Utilizzo del verricello caRol™ per il salvataggio tramite sollevamento EN 1496 :

Specifiche tecniche

Funzionamento del salvataggio con il verricello caRol™:

⚠ PERICOLO: il verricello caRol™ non può essere utilizzato come dispositivo di sollevamento del carico quando si utilizza il tracpode™:

- come punto di ancoraggio anticaduta
- come sistema di soccorso
- come sistema di ancoraggio di lavoro su fune

Standard: EN 1496 classe A

Modello	CaRol™ 20 m	CaRol™ 30 m
Peso (kg)	9,34	16
Dimensioni L x l x A (mm)	400x275x100	600x320x130
Lunghezza del cavo in acciaio zincato Ø 5 mm (m)	20 m	30 m

1. Prescrizioni prioritarie

- Prima di utilizzare questa attrezzatura, è indispensabile, per la sicurezza d'impiego del dispositivo e per la sua efficacia, che l'utilizzatore legga e comprenda le informazioni contenute nel manuale fornito da TRACTEL® SAS. Questo manuale deve essere tenuto a disposizione di ogni utilizzatore. Copie supplementari possono essere fornite su richiesta.
- Prima dell'utilizzo di questo dispositivo di sicurezza è indispensabile avere ricevuto un addestramento per il suo corretto impiego. Verificare lo stato degli equipaggiamenti associati e accertarsi che l'altezza libera sia sufficiente.
- Questa apparecchiatura può essere utilizzata da un solo operatore addestrato e competente, o da un operatore sotto la sorveglianza di un utilizzatore.
- Se il dispositivo non sembra essere in buono stato, tutto l'equipaggiamento del dispositivo dovrà essere verificato da TRACTEL® SAS o da un tecnico qualificato e competente, che dovrà autorizzare per iscritto il riutilizzo del sistema. È obbligatorio un controllo visivo prima di ogni utilizzo.
- Non è possibile effettuare modifiche o aggiunte al dispositivo senza un preliminare accordo scritto di TRACTEL® SAS. Il dispositivo deve essere trasportato e stoccato nel suo imballaggio d'origine.
- Qualsiasi dispositivo che non sia stato oggetto di verifica periodica negli ultimi dodici mesi non deve essere utilizzato. Esso potrà essere utilizzato di nuovo solo dopo una ulteriore revisione periodica eseguita da un tecnico abilitato e competente che autorizzerà per iscritto il suo utilizzo. In assenza di tali verifiche e autorizzazioni, il dispositivo andrà scartato e distrutto.
- Per questa attrezzatura, il carico massimo di utilizzo è di 150 kg.
- Se la massa dell'operatore sommata alla massa del suo dispositivo e degli utensili è compresa tra 100 kg e 150 kg è tassativo accertarsi che questa massa totale (operatore + dispositivo + utensili) non superi il carico massimo di utilizzo di ciascuno degli elementi che costituiscono il sistema di arresto delle cadute.
- Questo dispositivo è adatto per l'utilizzo in cantieri all'aperto e per una fascia di temperatura compresa tra -35°C e +60°C. Evitare qualsiasi contatto con spigoli vivi, superfici abrasive, prodotti chimici.
- Se si deve affidare questo materiale a personale dipendente o assimilato, è necessario attenersi alla normativa sul lavoro in vigore.
- L'operatore deve essere in piena forma fisica e psicologica durante l'utilizzo del dispositivo. In caso di dubbio consultare il proprio medico o il medico del lavoro. È vietato l'utilizzo a donne in stato di gravidanza.
- Il dispositivo non deve essere utilizzato oltre i suoi limiti, o in situazioni diverse da quelle per cui è previsto: cfr. il paragrafo 4, Funzioni e descrizione.
- Si raccomanda di attribuire un dispositivo personale a ciascun operatore, in modo particolare se si tratta di personale dipendente.
- Prima dell'utilizzo di un sistema di arresto delle cadute EN 363, l'utilizzatore deve accertarsi che ciascuno dei componenti sia in buone condizioni di

funzionamento: sistema di sicurezza, bloccaggio. Al momento dell'installazione non deve esistere un deterioramento delle funzioni di sicurezza.

15. In un sistema di arresto di cadute, è indispensabile verificare lo spazio libero al di sotto dell'operatore sul luogo di lavoro prima di ogni utilizzo, in modo che, in caso di caduta, non vi sia rischio di collisione col suolo, né presenza di ostacoli sulla traiettoria della stessa.
16. Un'imbracatura anticaduta è l'unico dispositivo di presa del corpo che sia consentito utilizzare in un sistema di arresto delle cadute.
17. È essenziale, per la sicurezza dell'operatore, che il dispositivo oppure che il punto di ancoraggio siano correttamente posizionati e che il lavoro sia effettuato in modo da ridurre al minimo il rischio di cadute ed anche l'altezza relativa.
18. Per la sicurezza dell'operatore, se il prodotto viene rivenduto al di fuori del primo paese di destinazione, il rivenditore dovrà fornire: le istruzioni per l'uso, le istruzioni per la manutenzione, per le verifiche periodiche e le riparazioni redatte nella lingua del paese di utilizzo del prodotto.
19. Assicurarsi che sia stato predisposto un piano di salvataggio specifico.

NOTA

Per qualsiasi applicazione speciale, si raccomanda di rivolgersi a TRACTEL® SAS.

2. Definizioni e pittogrammi

2.1. Definizioni

“Utilizzatore”: Persona o servizio responsabile della gestione e della sicurezza di utilizzo del prodotto descritto nel manuale.

“Tecnico”: Persona qualificata, incaricata delle operazioni di manutenzione descritte e autorizzate all'utilizzatore dal manuale, che è competente e conosce bene il prodotto.

“Operatore”: Persona che opera nell'utilizzo del prodotto, conformemente alla destinazione dello stesso.

“DPI”: Dispositivo di protezione individuale contro le cadute dall'alto.

“Connettore”: Elemento di collegamento tra componenti di un sistema di arresto delle cadute. È conforme alla norma EN 362.

“Imbracatura anticaduta”: Dispositivo di presa del corpo destinato ad arrestare le cadute. È costituito da cinghie e fibbie. Comporta dei punti di aggancio anticaduta contrassegnati con una A, se possono

essere utilizzati da soli, oppure con A/2, se devono essere utilizzati insieme a un altro punto A/2. È conforme alla norma EN 361.

“Carico massimo di utilizzo”: Massa massima dell'operatore equipaggiato per il soccorso, vestito, equipaggiato con i suoi DPI, con il suo abbigliamento da lavoro, i suoi utensili e i componenti di cui ha bisogno per realizzare il suo intervento.

“Sistema di salvataggio”: Insieme composto dai seguenti elementi:

- Imbracatura anticaduta o imbracatura con cintura con cosciali o imbracatura / cinghia di salvataggio.
- Sistema di sollevamento per salvataggio.
- Ancoraggio trapode™ Tractel®.
- Elemento di collegamento.

“Elemento del sistema di salvataggio”: Termine generico che definisce uno dei seguenti elementi:

- Imbracatura anticaduta o imbracatura con cintura con cosciali o imbracatura / cinghia di salvataggio.
- Sistema di sollevamento per salvataggio.
- Ancoraggio trapode™ Tractel®.
- Elemento di collegamento.

“Dispositivo di sollevamento per salvataggio di classe A EN 1496”: un componente o un sottoinsieme di attrezzature di salvataggio che consente di sollevare mediante un verricello un operatore con l'ausilio di un soccorritore da un punto più basso a un punto più alto.

“Attrezzatura di salvataggio”: un sistema di protezione individuale contro le cadute mediante il quale l'operatore può salvare se stesso o altri, impedendo qualsiasi caduta.

2.2. Pittogrammi



PERICOLO: indica istruzioni destinate ad evitare danni agli operatori, in particolar modo ferite mortali, gravi o leggere, o danni ambientali.



IMPORTANTE: Posto all'inizio della linea, indica delle istruzioni destinate ad evitare un mancato funzionamento oppure un danno degli equipaggiamenti, ma che non mette direttamente in pericolo la vita oppure la salute dell'operatore o la vita di altre persone, e/o che non è suscettibile di causare danni all'ambiente.



NOTA: Posto all'inizio della linea, indica delle istruzioni destinate ad assicurare l'efficacia oppure la comodità di un'installazione, di un'utilizzazione oppure di un'operazione di manutenzione.

3. Condizioni di utilizzo

Da verificare prima dell'utilizzo



IMPORTANTE: Il verricello caRol™ dotato di piastra è stato testato per l'uso su un tracpode™ Tractel®. Per tutte le altre installazioni consultare Tractel®.

- Verificare che la piastra del verricello caRol™ sia ben fissata su una delle gambe del tracpode™ Tractel® (cfr. § 4.2.1)
- Verificare lo stato del cavo per tutta la sua lunghezza: non deve presentare tracce di flessione, abrasione, corrosione o fili tagliati.
- Verificare lo stato della struttura metallica del verricello caRol™ (assenza di deformazioni, presenza di viti, ecc.).
- Verificare il funzionamento del verricello caRol™ azionando la manovella nella direzione "salita" e poi in quella "discesa".
- Verificare lo stato e il funzionamento del connettore: assenza di corrosioni o deformazioni visibili, corretta apertura, chiusura e bloccaggio.
- Verificare il buono stato dei dispositivi associati: ancoraggio del tracpode™ Tractel®, imbracature e connettori. Fare riferimento ai manuali specifici di ciascuno dei prodotti.
- Verificare il sistema di sollevamento per salvataggio nella sua interezza.

4. Funzioni e descrizione

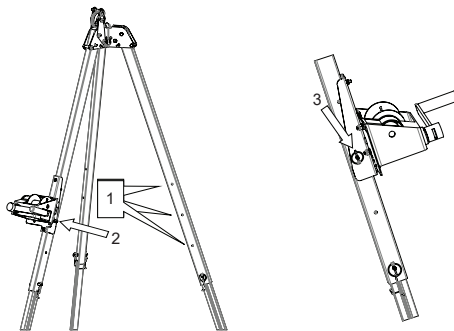
4.1. CaRol™ 20 m /30 m

Il verricello caRol™ è un dispositivo di soccorso con sollevamento verso l'alto (EN 1496 classe A): permette al soccorritore di far risalire un operatore in pericolo. Viene utilizzato in posizione inclinata quando è installato sulla piastra del tracpode.

- Il verricello caRol™ è dotato di un cavo Tractel® in acciaio galvanizzato lungo 20 o 30 m.
- Il verricello caRol™ è dotato di un'apposita piastra di ancoraggio che ne permette il fissaggio su una delle gambe del tracpode™ Tractel® la cui resistenza minima deve essere di 15 kN.

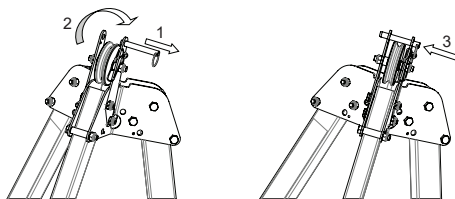
4.2.1 Montaggio del verricello caRol™ sul Tracpode™ Tractel®

1. - Posizionare il verricello caRol™ all'altezza desiderata su tracpode™ (3 posizioni possibili). Per farlo, consultare il manuale specifico del tracpode™ Tractel®.
2. - Inserire il perno di bloccaggio nella piastra e nella gamba del tracpode™ Tractel®.
3. - Inserire la spina a clip nel perno di bloccaggio



4.2.2 Posizionamento del cavo sulla puleggia di rinvio del tracpode™ Tractel®.

1. - Tirare il morsetto antisalto del cavo
2. - Far passare il cavo del verricello caRol™ nella puleggia, quindi dentro la testa del Tracpode™.
3. - Spingere il morsetto per bloccare il cavo nella puleggia.



5. Principio di funzionamento

5.1. Operazione di salvataggio mediante il verricello caRol™




La presenza di un secondo operatore nelle vicinanze è obbligatoria per effettuare un'eventuale evacuazione.

Le operazioni di soccorso devono essere state oggetto di uno studio pianificato, al fine di definire i mezzi umani e materiali da prevedere per soccorrere un operatore in difficoltà in meno di 15 minuti. Oltrepassato questo limite, l'operatore è in pericolo.

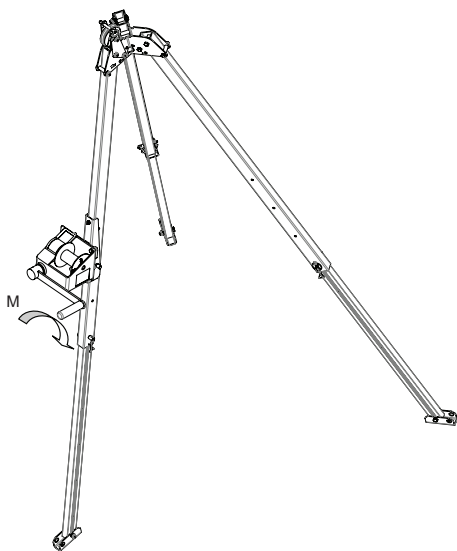
Per le operazioni di soccorso, si raccomanda l'uso di un'imbracatura comoda o di un'imbracatura dotata di bretella di soccorso EN 1497. Tuttavia, è possibile

utilizzare l'imbracatura anticaduta dell'operatore da soccorrere se in dotazione.

Durante l'intera fase di salvataggio, deve esserci un contatto visivo diretto o indiretto o qualsiasi altro mezzo di comunicazione tra il soccorritore e le altre persone coinvolte nel soccorso.

 **IMPORTANTE:** Durante le operazioni di salvataggio, il sistema a verricello deve essere utilizzato esclusivamente per le operazioni di soccorso e non deve essere utilizzato per il sollevamento di carichi.

Per eseguire l'operazione di salvataggio per sollevamento, azionare la manovella in direzione della freccia M, per evacuare l'operatore da soccorrere verso l'alto.



PERICOLO

Operazione di sollevamento di carichi mediante il verricello caRol™.

Qualsiasi operazione di sollevamento di carico con il verricello caRol™ è vietata in combinazione con un'operazione di salvataggio di persone per sollevamento o di lavoro su fune.

Durante le operazioni di salvataggio, il sistema a verricello deve essere utilizzato esclusivamente per le operazioni di soccorso.

6. Controindicazioni d'impiego

È tassativamente vietato:

- installare o utilizzare un verricello di salvataggio caRol™ senza essere stati autorizzati, formati e riconosciuti competenti, o, in mancanza di queste condizioni, senza operare sotto la supervisione di un operatore autorizzato, formato e riconosciuto competente.
- utilizzare un verricello caRol™ se la sua marcatura non è leggibile.
- installare o utilizzare un verricello caRol™ che non sia stato oggetto di verifiche preventive.
- utilizzare un verricello caRol™ che non abbia fatto l'oggetto di una revisione periodica, da meno di 12 mesi, da parte di un tecnico che ne abbia autorizzato il riutilizzo per iscritto.
- utilizzare un verricello caRol™ che non sia stato sottoposto a una revisione periodica, da meno di 12 mesi, da parte di un tecnico che ne abbia autorizzato il riutilizzo per iscritto.
- utilizzare un verricello caRol™ per qualsiasi applicazione diversa da quella del soccorso mediante sollevamento di persone.
- fissare un verricello caRol™ con qualsiasi altro mezzo che non sia la piastra specifica per il tracpode™.
- utilizzare il verricello caRol™ in contraddizione con le informazioni riportate nel paragrafo 14, Durata di vita.
- utilizzare un verricello caRol™ per salvare più di 1 operatore contemporaneamente.
- utilizzare il verricello caRol™ per soccorrere un operatore la cui massa, attrezzatura e utensili compresi, è superiore a 150 kg.
- utilizzare il verricello caRol™ a un carico compreso fra 100 kg e 150 kg (massa totale dell'operatore da soccorrere, del suo equipaggiamento e dei suoi utensili) se un elemento del sistema di salvataggio ha un carico massimo di utilizzo più basso.
- Utilizzare il verricello caRol™ in atmosfera fortemente corrosiva o esplosiva.
- utilizzare il verricello caRol™ al di fuori della fascia di temperatura specificata nel presente manuale.
- utilizzare il verricello caRol™ in caso di ostacolo nel percorso di evacuazione.
- utilizzare il verricello caRol™ se l'operatore non è in piena forma fisica.
- utilizzare il verricello caRol™ se la funzione di sicurezza di uno degli articoli associati è compromessa dalla funzione di sicurezza di un altro componente o interferisce con quest'ultima.

- utilizzare il verricello caRoI™ per fissare o sollevare un carico di materiale se il tracpode™ viene utilizzato come:
 - punto di ancoraggio anticaduta
 - sistema di soccorso
 - sistema di ancoraggio di lavoro a fune
- utilizzare il cavo del verricello caRoI™ come mezzo d'imbracatura.
- procedere con operazioni di riparazione o di manutenzione del verricello caRoI™ senza essere stati formati e abilitati, per iscritto, da TRACTEL®.
- utilizzare il verricello caRoI™ se non è completo, se è stato preventivamente smontato o se alcuni componenti sono stati sostituiti da personale non autorizzato da TRACTEL®.

7. Installazione

- Il verricello caRoI™ deve essere installato su una delle tre gambe del tracpode™.
- Il tracpode™ deve essere installato su un pavimento stabile: si faccia riferimento a §"Installazione" nel manuale del tracpode™ Tractel®.

8. Componenti e materiali

- Cavo: in acciaio galvanizzato.
- Connettore M47: acciaio zincato
- Verricello caRoI™: acciaio verniciato
- Piastra del verricello caRoI™: acciaio verniciato

9. Dispositivi associati

Come previsto dalla norma EN 363, il verricello caRoI™ è integrato in un sistema di arresto delle cadute che deve obbligatoriamente comprendere:

- Un ancoraggio (EN 795).
- Un connettore di estremità (EN 362).
- Un dispositivo di sollevamento per salvataggio (EN 1496).
- Un connettore (EN 362).
- Un'imbracatura anticaduta (EN 361).

È vietata qualsiasi altra combinazione.

10. Manutenzione e stoccaggio

- Se il verricello caRoI™ è sporco, lavarlo con acqua pulita e fredda utilizzando eventualmente un detersivo per tessuti delicati; usare una spazzola sintetica.
- Se durante l'utilizzo o il lavaggio, il verricello caRoI™ viene bagnato, farlo asciugare naturalmente all'ombra, lontano da qualunque fonte di calore.

- Durante il trasporto e lo stoccaggio, proteggere il dispositivo all'interno di un imballo resistente all'umidità, contro qualsiasi pericolo (fonti di calore diretto, prodotti chimici, UV, ecc.).
- In caso di contaminazione del prodotto, consultare Tractel® o uno dei suoi rivenditori.

11. Conformità del dispositivo

TRACTEL® SAS RD 619 - Saint-Hilaire-sous-Romilly - F-10102 Romilly-sur-Seine, Francia, dichiara che i dispositivi di sicurezza descritti nel presente manuale sono identici ai dispositivi che sono stati testati in conformità alla norma EN 1496 del 2017 da APAVE SUDEUROPE SAS - CS 60193 - 13322 Marsiglia - Francia.

12. Marcatura

L'etichetta riportata su ciascuno dei verricelli caRoI™ indica quanto segue:

- Marchio commerciale: TRACTEL®,
- Denominazione del prodotto,
- Norma di riferimento seguita dall'anno di applicazione,
- Riferimento del prodotto
- Data di fabbricazione
- Numero di serie,
- Simbolo che segnala che occorre leggere le istruzioni prima dell'uso
- Diametro del cavo
- Carico massimo di utilizzo
- Lunghezza massima d'esercizio

13. Revisione periodica e riparazione

È obbligatoria una revisione periodica annuale ma, a seconda della frequenza di utilizzo, delle condizioni ambientali e del regolamento dell'azienda o del paese di utilizzo, le revisioni periodiche possono essere più frequenti.

Le revisioni periodiche devono essere eseguite da un tecnico abilitato e competente e nel rispetto delle modalità operative di verifica del fabbricante indicate nel file "Istruzioni di verifica dei DPI TRACTEL®".

La verifica della leggibilità della marcatura sul prodotto è parte integrante della revisione periodica.

Dopo ogni verifica periodica, la rimessa in servizio deve essere notificata per iscritto dal tecnico abilitato e competente che ha eseguito la verifica periodica. Questa rimessa in servizio del prodotto deve essere registrata sul foglio di controllo che si trova al centro

del presente manuale. Questo foglio di controllo deve essere conservato durante tutta la durata di vita del prodotto fino al suo smaltimento.

14. Durata di vita

I DPI tessili TRACTEL® come le imbracature, i cordini, le funi e i dissipatori, i DPI meccanici TRACTEL® come gli anticaduta stopcable™ e stopfor™, gli anticaduta a richiamo automatico blocfor™, le linee di vita TRACTEL® e i dispositivi di sollevamento per salvataggio meccanici TRACTEL® come i verricelli caRol™ sono utilizzabili a condizione che a partire dalla loro data di fabbricazione essi siano oggetto di quanto segue:

- di un utilizzo normale nel rispetto delle prescrizioni di utilizzo del presente manuale,
- di una revisione periodica che deve essere effettuata minimo 1 volta all'anno da un tecnico abilitato e competente. Dopo questa revisione periodica, il dispositivo deve essere dichiarato per iscritto idoneo alla rimessa in servizio.
- del severo rispetto delle condizioni di stoccaggio e di trasporto menzionate nel presente manuale.

15. Rottamazione

Al momento della rottamazione del prodotto, è obbligatorio riciclare i diversi componenti separando le materie metalliche e le materie sintetiche. Questi materiali devono essere riciclati da organismi specializzati. Al momento della rottamazione, lo smontaggio in vista della separazione dei componenti, deve essere eseguito da una persona competente.

2- Utilizzo del verricello caRol™ come sistema di sollevamento di carichi conforme alla direttiva 2006/42/CE:

Operazione di sollevamento di carichi mediante il verricello caRol™:



PERICOLO: il verricello caRol™ non può essere utilizzato come dispositivo di sollevamento del carico quando si utilizza il trapcode™:

- come punto di ancoraggio anticaduta
- come sistema di soccorso
- come sistema di ancoraggio di lavoro su fune

Il carico di lavoro massimo è di 250 kg quando il verricello caRol™ viene utilizzato su uno dei piedi del trapcode™

Per le operazioni di sollevamento, appendere il carico sul connettore posto all'estremità del cavo.

Durante l'intera fase di sollevamento, l'operatore deve assicurarsi che nessun altro operatore sia presente sotto il carico durante lo spostamento.

Per eseguire l'operazione di sollevamento del carico, azionare la manovella nella direzione della freccia M per sollevare il carico verso l'alto e nella direzione opposta per abbassarlo.

3 - Utilizzo del verricello caRol™ per il lavoro su fune conforme alla direttiva 2001/45/CE:

Operazione di lavoro su fune mediante il verricello caRol™:



PERICOLO: il verricello caRol™ non può essere utilizzato come dispositivo di sollevamento del carico quando si utilizza il trapcode™:

- come punto di ancoraggio anticaduta
- come sistema di soccorso
- come sistema di ancoraggio di lavoro su fune

Lavoro su fune mediante il verricello caRol™:

Il verricello caRol™ può essere utilizzato come sistema di lavoro su fune ai sensi della direttiva 2001/45/CE del Parlamento europeo del 27 giugno 2001.

Condizioni per l'impiego delle tecniche di accesso e di posizionamento mediante fune.

Il sistema deve comprendere almeno una fune (o cavo) di lavoro (ad es. un verricello di soccorso caRol™, un discensore, un bloccante), che costituisca il mezzo di accesso, salita o discesa e di supporto, e una fune (o cavo) di sicurezza, dotata di un sistema di arresto delle cadute (un dispositivo anticaduta su supporto flessibile di sicurezza come Stopfor™ o un anticaduta a richiamo automatico come Blocfor™). Questi due dispositivi devono essere ancorati separatamente a due punti di ancoraggio, conformemente alla norma EN 795, o a un unico punto di ancoraggio debitamente calcolato dal datore di lavoro o da una persona competente.

Gli operatori che utilizzano la tecnica di accesso e posizionamento con fune devono essere dotati di un'apposita imbracatura anticaduta, devono utilizzarla e devono collegarla alla fune di sicurezza e alla fune di lavoro.



IMPORTANTE

O guincho caRol™ pode ser utilizado individualmente:

Como sistema de resgate por elevação no sentido ascendente (EN 1496)

ou

Como sistema de elevação de carga em conformidade com a Diretiva 2006/42/CE

ou

Como sistema de trabalho por corda em conformidade com a Diretiva 2001/45/CE

Quando utilizar o guincho caRol™, é proibido acrescentar simultaneamente as aplicações de utilização umas às outras

PT

1 - Utilização do guincho caRol™ em resgate por elevação EN 1496:

Especificações técnicas

Operação de resgate com o guincho caRol™:

⚠ PERIGO: o guincho caRol™ não pode ser utilizado como meio de elevação de carga quando o tracpode™ é utilizado:

- Como ponto de amarração antiqueda
- Como sistema de resgate
- Como sistema de amarração de trabalho em corda

Norma: EN 1496 classe A

Modelo	CaRol™ 20 m	CaRol™ 30 m
Peso (kg)	9,34	16
Dimensões C x L x A (mm)	400 x 275 x 100	600 x 320 x 130
Comprimento do cabo em aço galvanizado Ø 5 mm (m)	20 m	30 m

1. Instruções Prioritárias

1. Antes de utilizar este equipamento, é indispensável para a segurança de utilização e eficácia do material que o utilizador leia e compreenda as informações do manual fornecido pela TRACTEL® SAS. Este manual deve ser mantido ao dispor de todos os utilizadores. Podemos fornecer exemplares suplementares a pedido.
2. Antes de utilizar este equipamento de segurança, é indispensável ter recebido formação sobre a utilização do mesmo. Verificar o estado dos

equipamentos associados e verificar se a altura livre é suficiente.

3. Este equipamento só pode ser utilizado por um operador formado e competente ou por um operador sob a vigilância de um operador formado.
4. Se este equipamento não estiver em bom estado aparente, todo o equipamento deve ser verificado pela TRACTEL® SAS ou por um técnico qualificado e competente que deve autorizar por escrito a reutilização do sistema. É obrigatório um controlo visual antes de cada utilização.
5. Qualquer modificação ou acrescento ao equipamento não pode ser feito sem o acordo prévio escrito da TRACTEL® SAS. O equipamento deve ser transportado e armazenado na embalagem de origem.
6. Todo o equipamento que não tenha sido submetido a um teste periódico durante os últimos doze meses, deve deixar de ser utilizado. Só poderá ser novamente utilizado após um novo teste periódico realizado por um técnico habilitado e competente, que autorizará por escrito a sua utilização. Na ausência destes testes e autorizações, o equipamento será posto de lado e destruído.
7. A carga máxima de utilização é de 150 kg para este equipamento.
8. Se o peso do utilizador, acrescido do peso do seu equipamento e das suas ferramentas, estiver compreendido entre 100 kg e 150 kg, é indispensável assegurar-se de que este peso total (utilizador + equipamento + ferramentas) não excede a carga máxima de utilização de cada um dos elementos que constituem o sistema de paragem de quedas.
9. Este equipamento está adaptado a uma utilização em estaleiro ao ar livre e a uma faixa de temperatura entre -35°C e +60°C. Evitar qualquer contacto com arestas vivas, superfícies abrasivas ou produtos químicos.
10. Se este equipamento tiver de ser confiado a pessoal assalariado ou semelhante, deverá ser cumprida a regulamentação aplicável do trabalho.
11. O utilizador deve estar em plena forma física e psicológica durante a utilização deste equipamento. No caso de dúvida, consultar um médico ou o médico do trabalho. Não deve ser utilizado por grávidas.
12. O equipamento não deve ser utilizado além dos seus limites, nem em qualquer outra situação diferente da prevista: cf. «4. Funções e descrição».
13. É aconselhável atribuir pessoalmente este equipamento a cada operador, designadamente, quando se trata de pessoal assalariado.

14. Antes de utilizar um sistema de paragem de quedas EN 363, o utilizador deve assegurar-se de que cada um dos componentes está em bom estado de funcionamento: sistema de segurança, bloqueio. Durante a instalação, não deve haver nenhuma degradação das funções de segurança.
15. Num sistema de paragem de quedas, é essencial verificar o espaço livre abaixo do operador no local de trabalho, antes de cada utilização, de modo que, em caso de queda, não haja risco de colisão com o solo, nem presença de obstáculos na trajetória da queda.
16. Um arnês antiqueda é o único dispositivo de preensão do corpo que é permitido utilizar num sistema de paragem de quedas.
17. É essencial para a segurança do operador que o dispositivo ou o ponto de ancoragem esteja corretamente posicionado e que o trabalho seja efetuado de modo a reduzir ao mínimo o risco de quedas, assim como a altura das mesmas.
18. Para a segurança do operador, se o produto for revendido fora do primeiro país de destino, o revendedor deve fornecer: instruções de utilização, instruções de manutenção, para os testes periódicos e as reparações, redigidos na língua do país de utilização do produto.
19. Assegurar-se de que está previsto um plano de resgate.



NOTA

Para qualquer aplicação especial, não hesitar em dirigir-se à Tractel® S.A.S.

2. Definições e pictogramas

2.1. Definições

«**Utilizador**»: Pessoa ou responsável pelo serviço da gestão e da segurança de utilização do produto descrito no manual.

«**Técnico**»: Pessoa qualificada, a cargo das operações de manutenção descritas e autorizadas ao utilizador pelo manual, que é competente e está familiarizada com o produto.

«**Operador**»: Pessoa que trabalha e utiliza o produto em conformidade com o destino deste.

«**EPI**»: Equipamento de proteção individual contra as quedas em altura.

«**Conector**»: Elemento de união entre os componentes de um sistema de paragem de quedas. Está em conformidade com a norma 362.

«**Arnês de antiqueda**»: Dispositivo de preensão do corpo destinado a parar as quedas. É constituído por

correias e conjuntos de fivelas. É composto por pontos de fixação antiqueda marcados com um «A» se for utilizado sozinho, ou marcados com um «A/2» se for utilizado em conjunto com um outro ponto «A/2». Está em conformidade com a norma 361.

«**Carga máxima de utilização**»: Peso máximo do operador vestido para resgate, equipado com o EPI, o vestuário de trabalho, as ferramentas e os componentes de que precisa para o seu trabalho.

«**Sistema de resgate**»: Conjunto composto pelos elementos seguintes:

- Arnês de antiqueda ou arnês com cinturão com pemeiras ou arnês/correa de resgate.
- Sistema de resgate por elevação.
- Amarração trapcode™ Tractel®.
- Elemento de ligação.

«**Elemento do sistema de resgate**»: Termo genérico que define um dos elementos seguintes:

- Arnês de antiqueda ou arnês com cinturão com pemeiras ou arnês/correa de resgate.
- Sistema de resgate por elevação.
- Amarração trapcode™ Tractel®.
- Elemento de ligação.

«**Dispositivo de resgate por elevação EN 1496 classe A**»: componente ou subconjunto de um equipamento de resgate que permite a utilização de um guincho de um operador através de um responsável pelo resgate de um ponto baixo a um ponto alto.

«**Equipamento de resgate**»: sistema de proteção individual contra quedas graças ao qual ninguém pode salvar-se ou salvar outras pessoas, de modo a impedir qualquer tipo de queda.

2.2. Pictogramas



PERIGO: designa instruções destinadas a evitar danos às pessoas, nomeadamente, lesões mortais, graves ou ligeiras, assim como danos ao meio ambiente.



IMPORTANTE: Colocado no início da linha, designa instruções destinadas a evitar uma falha ou danos aos equipamentos, mas sem colocar diretamente em perigo a vida ou a saúde do operador ou das demais pessoas, e/ou não sendo suscetíveis de causar danos ao meio ambiente.



NOTA: Colocado no início da linha, designa instruções destinadas a assegurar a eficácia ou a comodidade de uma instalação, utilização ou operação de manutenção.

3. Condições de utilização

Verificações antes da utilização



IMPORTANTE: O guincho caRol™, equipado com a respetiva consola, foi testado para ser utilizado num trapcode™ Tractel®. Para qualquer outra instalação, consultar a Tractel®

- Verificar que a consola do guincho caRol™ está bem apertada a uma das pernas do trapcode™ Tractel® (ver § 4.2.1)
- Verificar o estado do cabo em toda a sua extensão: não deve apresentar marcas de dobragem, abrasão, corrosão, fios cortados.
- Verificar o estado da estrutura metálica do guincho caRol™ (sem deformação, presença de parafusos...).
- Verificar o funcionamento do guincho caRol™ acionando a manivela no sentido «subida» e depois no sentido «descida».
- Verificar o estado e o funcionamento do conector: sem corrosão ou deformação visível, abertura, fecho e bloqueio possíveis.
- Verificar o estado dos componentes associados: Amarração do trapcode™ Tractel®, amês e conectores. Consultar os manuais específicos de cada um dos produtos.
- Verificar o sistema de resgate por elevação completa.

4. Funções e descrição

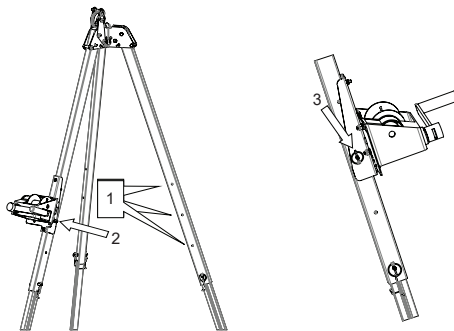
4.1. O guincho caRol™ 20 m/30 m

O guincho caRol™ é um dispositivo de resgate por elevação no sentido ascendente (EN 1496 classe A): permite a um responsável pelo resgate subir um operador em perigo. É utilizado inclinado quando é instalado na consola do trapcode.

- O guincho caRol™ está equipado com um cabo Tractel® em aço galvanizado com um comprimento de 20 ou 30 m.
- O guincho caRol™ está equipado com uma consola de amarração específica que permite fixá-lo a uma das pernas do trapcode™ Tractel® cuja resistência mínima deve ser de 15 kN.

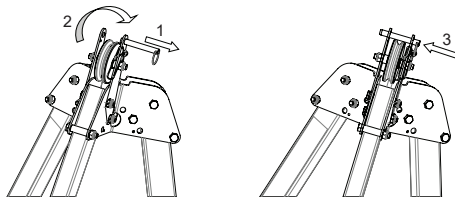
4.2.1 Instalação do guincho caRol™ no Trapcode™ Tractel®

1. - Posicionar o guincho caRol™ para a altura desejada no trapcode™ (são possíveis três posições). Para tal, ver o manual específico do trapcode™ Tractel®.
2. - Introduzir a cavilha de bloqueio na consola e na perna do trapcode™ Tractel®.
3. - Introduzir o pino de bloqueio na cavilha de bloqueio



4.2.2 Colocação do cabo na polia de passagem do trapcode™ Tractel®.

1. - Retirar o pino antissalto de cabo
2. - Passar o cabo do guincho caRol™ pela polia de passagem e depois pelo interior da cabeça do Trapcode™.
3. - Deslizar o pino para bloquear o cabo na polia.



5. Princípio de funcionamento

5.1. Operação de resgate com guincho caRol™



PERIGO

A presença de um segundo operador nas proximidades é obrigatória para efetuar uma eventual evacuação.

As operações de resgate devem ser objeto de um estudo programado, para definir os meios humanos e materiais a aplicar para prestar assistência a um operador dentro de um prazo inferior a 15 minutos. Ultrapassando este prazo, o operador fica em perigo.

Para as operações de resgate, recomenda-se a utilização de um amês confortável ou de um amês equipado com uma alça de resgate EN 1497. É

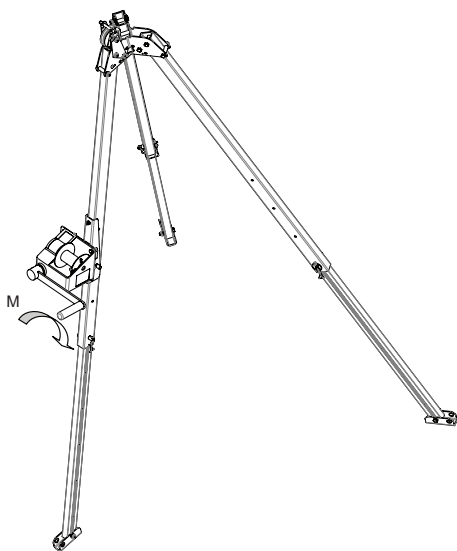
possível, no entanto, utilizar o arnês de ant queda do operador a salvar se estiver equipado.

Durante toda a fase de resgate, deve existir entre o responsável pelo resgate e os outros intervenientes do resgate contacto visual direto ou indireto ou qualquer outro meio de comunicação.



IMPORTANTE: Nas operações de resgate, o sistema de utilização do guincho deve destinar-se exclusivamente às operações de resgate e não pode ser utilizado na elevação de cargas.

Para realizar a operação de resgate por elevação, acionar a manivela no sentido da seta M, a fim de realizar a evacuação no sentido ascendente do operador a salvar.



PERIGO

Operação de elevação de carga com guincho caRol™.

Qualquer operação de elevação de carga com o guincho caRol™ é proibida em combinação com uma operação de resgate por elevação de uma pessoa ou de trabalho numa corda.

Numa operação de resgate, o sistema do guincho deve destinar-se exclusivamente às operações de resgate.

6. Contraindicações de utilização

É estritamente proibido:

- Instalar ou utilizar um guincho de resgate caRol™ sem ter sido autorizado, formado e reconhecido como competente ou na impossibilidade, sem estar sob a vigilância de um operador autorizado, formado e reconhecido como competente.
- Utilizar o guincho caRol™ se a marcação não estiver legível.
- Instalar ou utilizar o guincho caRol™ que não tenha sido submetido às verificações prévias.
- Utilizar o guincho caRol™ que não tenha sido submetido a um teste periódico, há menos de 12 meses, por um técnico que tenha autorizado por escrito a sua reutilização.
- Utilizar o guincho caRol™ num trípode™ Tractel® que não tenha sido submetido a um teste periódico, há menos de 12 meses, por um técnico que tenha autorizado por escrito a sua reutilização.
- Utilizar o guincho caRol™ para qualquer aplicação diferente do resgate por elevação no sentido ascendente de pessoas.
- Fixar o guincho caRol™ por qualquer outro meio que não seja a consola específica para o trípode™.
- Utilizar o guincho caRol™ de modo contrário às informações definidas no parágrafo «14. Duração de vida».
- Utilizar o guincho caRol™ para salvar mais do que um operador em simultâneo.
- Utilizar o guincho caRol™ para salvar um operador cujo peso, equipamento e ferramentas incluídos, sejam superiores a 150 kg.
- Utilizar o guincho caRol™ com uma carga compreendida entre 100 kg e 150 kg (peso total do operador, do equipamento e das ferramentas), se um elemento do sistema de resgate tiver uma carga máxima de utilização mais fraca.
- Utilizar o guincho caRol™ em ambiente fortemente corrosivo ou explosivo.
- Utilizar o guincho caRol™ fora da faixa de temperatura especificada no presente manual.
- Utilizar o guincho caRol™ se um obstáculo se situar na trajetória da evacuação.
- Utilizar o guincho caRol™ quando não se está em plena forma física.
- Utilizar o guincho caRol™ se a função de segurança de um dos artigos associados está afetada pela

PT

função de segurança de outro artigo ou interfere com a segurança.

- Utilizar o guincho caRol™ para proteger ou elevar uma carga de equipamento se o trapode™ for utilizado como:
 - Ponto de amarração antiqueda
 - Sistema de resgate
 - Sistema de amarração de trabalho em corda
- Utilizar o cabo do guincho caRol™ como meio de amarração de cargas.
- Efetuar operações de reparação ou de manutenção do guincho caRol™ sem ter sido formado e autorizado, por escrito, pela TRACTEL®.
- Utilizar o guincho caRol™ se não estiver completo, se foi desmontado previamente ou se os componentes foram substituídos por uma pessoa não autorizada pela TRACTEL®.

7. Instalação

- O guincho caRol™ deve ser colocado numa das três pernas do trapode™.
- O trapode™ deve ser colocado sobre um solo estável: ver § «Instalação» do manual do trapode™ Tractel®.

8. Componentes e materiais

- Cabo: aço galvanizado.
- Conector M47: aço zincado
- Guincho caRol™: aço pintado
- Consola do guincho caRol™: aço pintado

9. Equipamentos associados

Em conformidade com a norma EN 363, o guincho caRol™ é integrado num sistema de paragem de quedas, que deve incluir obrigatoriamente:

- Uma amarração (EN 795).
- Um conector de extremidade (EN 362).
- Um dispositivo de resgate por elevação (EN 1496).
- Um conector (EN 362).
- Um arnês de antiqueda (EN 361).

Qualquer outra associação é proibida.

10. Manutenção e armazenagem

- Se um guincho caRol™ estiver sujo, deve ser lavado com água limpa e fria, eventualmente com um detergente para têxteis delicados; utilizar uma escova sintética.

- Se, durante a utilização ou a limpeza um guincho caRol™ ficou molhado, deve secá-lo naturalmente à sombra e afastado de qualquer fonte de calor.
- Durante o transporte e a armazenagem, proteger o equipamento no interior de uma embalagem resistente à humidade e contra qualquer perigo (fonte de calor direta, produtos químicos, UV, ...).
- Em caso de contaminação do produto, consultar a Tractel® ou um dos seus revendedores.

11. Conformidade do equipamento

Asocietade TRACTEL® SAS RD 619 - Saint Hilaire sous Romilly - F - 10102 Romilly-sur-Seine France declara, pelo presente, que o equipamento de segurança descrito neste manual, é idêntico ao equipamento submetido a ensaios de conformidade com a norma EN 1496 de 2017 pela APAVE SUDEUROPE SAS – CS 60193 – 13322 Marselha – França

12. Marcação

O rótulo de cada guincho caRol™ indica:

- a. A marca comercial: TRACTEL®,
- b. A designação do produto,
- c. A norma de referência seguida do ano de aplicação,
- d. A referência do produto,
- f. A data de fabrico,
- g. O número de série,
- h. Um pictograma indicando que é necessário ler o manual antes da utilização,
- n. O diâmetro do cabo,
- w. Carga máxima de utilização,
- x: Comprimento máximo de utilização.

13. Teste periódico e reparação

Um teste periódico anual é obrigatório, mas em função da frequência de utilização, das condições ambientais e da regulamentação da empresa ou do país de utilização, os testes periódicos podem ser mais frequentes.

Os testes periódicos devem ser realizados por um técnico autorizado e competente, cumprindo os modos operacionais de teste do fabricante descritos no ficheiro «Instruções de verificação dos EPI da TRACTEL®».

A verificação da legibilidade da marcação no produto faz parte integrante do teste periódico.

No fim do teste periódico, a colocação em funcionamento deve ser comunicada por escrito pelo

técnico autorizado e competente que o efetuou. Esta colocação em funcionamento do produto deve ser registada na folha de controlo que se encontra no meio do presente manual. Esta folha de controlo deve ser conservada durante toda a vida do produto, até este ser posto de lado.

14. Duração de vida

Os EPI têxteis da TRACTEL® como os arneses, as lingas, as cordas e os amortecedores, os EPI mecânicos TRACTEL® como os sistemas antiqueda stopcable™ e stopfor™, os sistemas antiquedas retrácteis blocfor™ e as linhas de vida da TRACTEL®, os equipamentos de resgate por elevação mecânicos da TRACTEL® como os guinchos caRol™ só podem ser utilizados sob reserva a partir da sua data de fabrico e ser objeto de:

- uma utilização normal, cumprindo as recomendações de utilização do presente manual.
- um teste periódico que deve ser realizado, no mínimo, uma vez por ano por um técnico autorizado e competente. No fim deste teste periódico, o EPI deve ser declarado, por escrito, apto a ser colocado em funcionamento.
- cumprimento estrito das condições de armazenamento e de transporte mencionadas no presente manual.

15. Eliminação

No momento da eliminação final do produto, é obrigatório reciclar os diferentes componentes por uma triagem dos materiais metálicos e uma triagem dos materiais sintéticos. Estes materiais devem ser reciclados junto de organismos especializados. No momento da eliminação final, a desmontagem, para a separação dos constituintes, deve ser realizada por uma pessoa competente.

2 - Utilização do guincho caRol™ em elevação de carga em conformidade com a Diretiva 2006/42/CE:

Operação de elevação de carga com guincho caRol™:



PERIGO: o guincho caRol™ não pode ser utilizado como meio de elevação de carga quando o tracpode™ é utilizado:

- Como ponto de amarração antiqueda
- Como sistema de resgaste
- Como sistema de amarração de trabalho em corda

A carga máxima de utilização é de 250 kg quando o guincho caRol™ é utilizado num dos pés do tracpode™

Para as operações de elevação, fixar a carga ao conector na extremidade do cabo

Durante toda a fase de elevação, o operador deve assegurar-se de que nenhum outro operador está presente debaixo da carga ao longo da sua deslocação.

Para realizar a operação de elevação de carga, acionar a manivela no sentido da seta M, a fim de elevar a carga e no sentido oposto para a fazer descer.

3 - Utilização do guincho caRol™ para trabalho em corda em conformidade com a Diretiva 2001/45/CE:

Operação de trabalho em corda com guincho caRol™:



PERIGO: o guincho caRol™ não pode ser utilizado como meio de elevação de carga quando o tracpode™ é utilizado:

- Como ponto de amarração antiqueda
- Como sistema de resgaste
- Como sistema de amarração de trabalho em corda

Trabalho em corda com o guincho caRol™:

O guincho caRol™ pode ser utilizado como sistema de trabalho por corda, em conformidade com a Diretiva 2001/45/CE, do Parlamento Europeu, de 27 de junho de 2001.

Condições a cumprir para utilizar técnicas de acesso e de posicionamento por corda.

O sistema deve incluir, pelo menos, uma corda (ou um cabo) de trabalho (ex.: um guincho de resgate caRol™, um equipamento de descida, um equipamento de bloqueio), que constitua um meio de acesso, de subida ou de descida e de apoio, e uma corda (um antiqueda num apoio de ancoragem flexível do tipo Stopfor™ ou um antiqueda retráctil do tipo Blocfor™). Estes dois dispositivos devem ser ancorados separadamente em dois pontos de ancoragem, em conformidade com a norma EN795, ou num ponto de ancoragem objeto de uma nota de cálculo determinada pelo empregador ou por uma pessoa competente.

Os operadores que utilizam a técnica de acesso e de posicionamento por corda devem estar equipados com um arnês antiqueda adequado, devendo utilizar e unir a corda de segurança à corda de trabalho.



ΣΗΜΑΝΤΙΚΟ

Το βαρούλκο caRoI™ μπορεί να χρησιμοποιηθεί ανεξάρτητα:

Ως διασσωστική διάταξη ανύψωσης (ανύψωση μόνο) (EN 1496)

ή

Ως διάταξη ανύψωσης φορτίου, σύμφωνα με την κατευθυντήρια οδηγία 2006/42/EK

ή

Ως σύστημα πρόσβασης και τοποθέτησης με σχοινί, σύμφωνα με την κατευθυντήρια οδηγία 2001/45/EK.

Κατά τη χρήση του βαρούλκου caRoI™, η διάταξη μπορεί να χρησιμοποιηθεί μόνο μία από τις εφαρμογές κάθε φορά (δηλαδή δεν μπορεί να εκτελεστεί πρόσθετη εφαρμογή ταυτόχρονα)

1 - Χρήση του βαρούλκου caRoI™ για ανύψωση διάσωσης (EN 1496):

Τεχνικές προδιαγραφές

Διασσωστική ενέργεια με χρήση του βαρούλκου caRoI™:

⚠ ΚΙΝΔΥΝΟΣ: το βαρούλκο caRoI™ δεν μπορεί να χρησιμοποιηθεί ως διάταξη ανύψωσης φορτίου όταν το tractorode™ στο οποίο είναι τοποθετημένο χρησιμοποιείται ταυτόχρονα:

- Ως σημείο αγκύρωσης αναστολής πτώσης
- Ως διασσωστική διάταξη
- Ως διάταξη αγκύρωσης για την εκτέλεση εργασίας πρόσβασης με σχοινί

Πρότυπο EN 1496 κατηγορία A

Μοντέλο	CaRoI™ 20 m	CaRoI™ 30 m
Βάρος (κιλά)	9,34	16
Διαστάσεις Μ x Π x Β (χλστ.)	400x275x100	600x320x130
Μήκος του σχοινού από γαλβανισμένο χάλυβα Ø 5 χλστ. (μέτρα)	20	30

1. Γενικές προειδοποιήσεις

1. Πριν χρησιμοποιήσετε αυτόν τον εξοπλισμό και για να εξασφαλιστεί η ασφαλής και αποτελεσματική χρήση του, είναι απαραίτητο για το χρήστη να διαβάσει και να κατανοήσει τις πληροφορίες του εγχειριδίου που παρέχει η TRACTEL SAS. Οι παρούσες οδηγίες πρέπει να παραμένουν στη διάθεση του κάθε χρήστη. Επιπλέον αντίτυπα μπορούν να διατεθούν κατόπιν αιτήσεως.

2. Πριν τη χρήση αυτού του εξοπλισμού ασφάλειας, είναι σημαντικό οι χρήστες να λάβουν εκπαίδευση στον τρόπο χρήσης του. Ελέγξτε την κατάσταση όλου του εμπλεκόμενου εξοπλισμού και διασφαλίστε ότι υπάρχει επαρκές διάκενο κάτω από το χειριστή για την περίπτωση πτώσης.

3. Ο εξοπλισμός πρέπει να χρησιμοποιείται μόνο από έναν εκπαιδευμένο και ικανό χειριστή ή από έναν χειριστή υπό την επίβλεψη ενός αρμόδιου χρήστη.

4. Εάν ο εξοπλισμός δεν εμφανίζεται να είναι σε καλή κατάσταση, το σύνολο του εξοπλισμού πρέπει να ελεγχθεί από την TRACTEL® SAS ή από ειδικευμένο και αρμόδιο τεχνικό, ο οποίος οφείλει να παράσχει γραπτή εξουσιοδότηση για τη συνεχιζόμενη χρήση της διάταξης. Είναι υποχρεωτικός ο οπτικός έλεγχος πριν από κάθε χρήση.

5. Καμία τροποποίηση ή προσθήκη δεν μπορεί να εφαρμοστεί στον εξοπλισμό χωρίς την προηγούμενη έγγραφη έγκριση της TRACTEL® SAS. Ο εξοπλισμός πρέπει να μεταφέρεται και να αποθηκεύεται στη συσκευασία προέλευσής του.

6. Εάν δεν έχει εκτελεστεί περιοδικός έλεγχος στον εξοπλισμό κατά το διάστημα των προηγούμενων 12 μηνών ή λιγότερο, ανάλογα με τη νομοθεσία ή τον κώδικα πρακτικής της χώρας χρήσης, ο εξοπλισμός δεν πρέπει να χρησιμοποιηθεί. Μπορεί να ξαναχρησιμοποιηθεί μόνο μετά την εκτέλεση νέου περιοδικού ελέγχου από εξουσιοδοτημένο και αρμόδιο τεχνικό ο οποίος θα επιτρέψει γραπτάς τη χρήση του. Απουσία αυτών των επιθεωρήσεων και εξουσιοδοτήσεων, ο εξοπλισμός θεωρείται ακατάλληλος για χρήση και κατεστραμμένος.

7. Το όριο του φορτίου λειτουργίας αυτού του εξοπλισμού είναι 150 κιλά.

8. Εάν η μάζα του χειριστή μαζί με τη μάζα του εξοπλισμού του και των εργαλείων του κυμαίνεται μεταξύ 100 κιλά και 150 κιλά, είναι απαραίτητο να διασφαλίσετε ότι αυτή η συνολική μάζα (χειριστής + εξοπλισμός + εργαλεία) δεν ξεπερνά το όριο του φορτίου εργασίας καθενός εκ των εξαρτημάτων του συστήματος αναστολής πτώσης.

9. Ο εξοπλισμός αυτός είναι κατάλληλος για χρήση σε εξωτερικά εργοτάξια και σε εύρος θερμοκρασίας μεταξύ -35°C και +60 °C. Αποφύγετε κάθε επαφή με αιχμηρά άκρα, τραχιές επιφάνειες και χημικά προϊόντα.

10. Αν πρέπει να παραδώσετε τον εξοπλισμό σε κάποιον εργαζόμενο ή άλλο έμμοιστο πρόσωπο, συμμορφωθείτε με τον ισχύοντα κανονισμό εργασίας.

11. Ο χειριστής πρέπει να είναι σε καλή φυσική και ψυχολογική κατάσταση κατά τη χρήση του εξοπλισμού αυτού. Σε περίπτωση αμφιβολίας, συμβουλευτείτε τον ιατρό σας ή τον ιατρό εργασίας. Απαγορεύεται η χρήση του εξοπλισμού κατά την κούρηση.

12. Ο εξοπλισμός δεν πρέπει να χρησιμοποιείται πέρα από τα όρια του ή σε οποιαδήποτε άλλη κατάσταση πέραν εκείνης για την οποία έχει σχεδιαστεί, ανατρέξτε στο 4. Λειτουργίες και περιγραφή."
13. Συστήνεται η προσωπική εκχώρηση του εξοπλισμού σε κάθε χειριστή, ιδιαίτερα εάν ο χειριστής είναι υπάλληλός σας.
14. Πριν τη χρήση εξοπλισμού αναστολής πτώσεων κατά το πρότυπο EN 363, ο χρήστης πρέπει να βεβαιωθεί πως το καθένα από τα στοιχεία του είναι σε καλή κατάσταση λειτουργίας: σύστημα ασφαλείας, ασφάλιση. Κατά τη ρύθμιση, είναι ουσιώδες να διασφαλιστεί ότι οι λειτουργίες ασφαλείας δεν έχουν υποβαθμιστεί με κανένα τρόπο.
15. Κατά τη χρήση ενός συστήματος αναστολής πτώσης, είναι σημαντικό να ελέγχετε, πριν από κάθε χρήση, το διάκενο κάτω από το χειριστή στη θέση εργασίας, ώστε να διασφαλίζεται ότι σε περίπτωση πτώσης του χειριστή ο τελευταίος δεν θα προσκρούσει σε κάποιο εμπόδιο στη διαδρομή του (προτού το σύστημα αναστολής πτώσης ανακόψει την πτώση του).
16. Η ζώνη αναστολής πτώσεων είναι η μόνη διάταξη σύλληψης του σώματος που επιτρέπεται να χρησιμοποιείται με σύστημα αναστολής πτώσεων.
17. Είναι απαραίτητο για την ασφάλεια του χειριστή, η διάταξη ή το σημείο αγκύρωσης να είναι σωστά τοποθετημένα και η εργασία να πραγματοποιείται έτσι ώστε να ελαχιστοποιείται τόσο ο κίνδυνος πτώσεων, όσο και το ύψος από το οποίο μπορεί να σημειωθεί πτώση.
18. Για να διασφαλιστεί η ασφάλεια του χειριστή, εάν ο εξοπλισμός μεταπωληθεί εκτός της αρχικής χώρας προορισμού, ο μεταπωλητής οφείλει να παράσχει: ένα εγχειρίδιο χρήσης και οδηγίες για τη συντήρηση, τους περιοδικούς ελέγχους και τις εργασίες επισκευής, το σύνολο των οποίων πρέπει να είναι διατυπωμένα στη γλώσσα της χώρας χρήσης του προϊόντος.
19. Βεβαιωθείτε ότι έχει εκπονηθεί και εφαρμόζεται σχέδιο διάσωσης.



ΣΗΜΕΙΩΣΗ

Για κάθε ειδική εφαρμογή, επικοινωνήστε με την Tractel® SAS.

2. Ορισμοί και εικονοσύμβολα

2.1. Ορισμοί

"Χρήστης": Άτομο ή υπηρεσία που είναι υπεύθυνο για τη διαχείριση και την ασφαλή χρήση του προϊόντος το οποίο περιγράφεται στο εγχειρίδιο.

"Τεχνικός": Ειδικευμένο άτομο, υπεύθυνο για τις εργασίες συντήρησης που περιγράφονται και επιτρέπονται στο χρήστη από το εγχειρίδιο. Ο τεχνικός είναι αρμόδιος και εξοικειωμένος με το προϊόν.

"Χειριστής": Άτομο που έχει τη δυνατότητα χρήσης του προϊόντος σύμφωνα με τη χρήση για την οποία προορίζεται.

"ΜΑΠ": Μέσα ατομικής προστασίας που προσφέρουν προστασία έναντι πτώσεων από ύψος.

"Σύνδεσμος": Στοιχείο σύνδεσης ανάμεσα στα εξαρτήματα ενός συστήματος αναστολής πτώσεων. Συμμορφώνεται προς το πρότυπο EN 362.

"Εξάρτηση αναστολής πτώσεων": Διάταξη συγκράτησης του σώματος σχεδιασμένη να ανακόπτει τις πτώσεις. Αποτελείται από μάνιτες και θηλιές. Διαθέτει σημεία πρόσδεσης αναστολής πτώσης που φέρουν την ένδειξη Α εάν μπορούν να χρησιμοποιηθούν μόνο τους ή την ένδειξη Α/2 εάν πρέπει να χρησιμοποιηθούν σε συνδυασμό με κάποιο άλλο σημείο Α/2. Συμμορφώνεται προς το πρότυπο EN 361.

"Όριο φορτίου χρήσης": Η μέγιστη μάζα του χειριστή προς διάσωση με κατάλληλη στολή εργασίας, εξοπλισμένου με αντίστοιχα ΜΑΠ, εργαλεία και στοιχεία τα οποία είναι απαραίτητα για την εκτέλεση της προγραμματισμένης εργασίας.

"Διάταξη διάσωσης": Ένα σύνολο προϊόντων αποτελούμενο από τα εξής:

- Εξάρτηση αναστολής πτώσεων ή εξάρτηση καθιστής θέσης ή εξάρτηση με μάνιτα διάσωσης.
- Διάταξη ανύψωσης διάσωσης.
- Σημείο αγκύρωσης παρεχόμενο από Tracprode™ κατασκευασμένο από την Tractel®.
- Στοιχείο σύνδεσης.

"Στοιχείο της διάταξης διάσωσης": Γενικός όρος που καθορίζει ένα από τα παρακάτω στοιχεία:

- Εξάρτηση αναστολής πτώσεων ή εξάρτηση καθιστής θέσης ή εξάρτηση με μάνιτα διάσωσης.
- Διάταξη ανύψωσης διάσωσης.
- Σημείο αγκύρωσης παρεχόμενο από Tracprode™ κατασκευασμένο από την Tractel®.
- Στοιχείο σύνδεσης.

"Διασωστική διάταξη ανύψωσης, EN 1496 κατηγορία Α": στοιχείο εξοπλισμού ατομικής προστασίας για σκοπούς διάσωσης, μέσω του οποίου τα εμπλεκόμενα πρόσωπα είναι σε θέση να έλθουν ή ανυψώσουν τον ίδιο τους τον εαυτό από μια χαμηλότερη σε μια υψηλότερη θέση ή να ανυψωθούν από έναν διασωστή.

"Διασωστικός εξοπλισμός": μεμονωμένη διάταξη προστασίας από πτώσεις μέσω της οποίας ένας χειριστής μπορεί να αυτο-διασωθεί ή να διασώσει άλλα άτομα, ώστε να αποτρέπεται κάθε πτώση.

2.2. Εικονοσύμβολα



ΚΙΝΔΥΝΟΣ: επισημαίνει οδηγίες για την σωματικών βλαβών, συμπεριλαμβανομένων των θανάσιμων, σοβαρών ή ήπιων τραυματισμών των χειριστών, καθώς και των βλαβών στο περιβάλλον.



ΠΡΟΣΟΧΗ: Όταν βρίσκεται στην αρχή της σειράς, αναφέρεται σε οδηγίες σκοπός των οποίων είναι η αποτροπή της αστοχίας του εξοπλισμού ή η αποφυγή της πρόκλησης φθοράς στον εξοπλισμό σε πλαίσια στα οποία δεν υπάρχει άμεσος κίνδυνος για τη ζωή ή υγεία του χειριστή ή άλλων ατόμων ή/και στα οποία δεν είναι πιθανή η πρόκληση περιβαλλοντικής βλάβης.



ΣΗΜΕΙΩΣΗ: Όταν βρίσκεται στην αρχή της σειράς, αναφέρεται σε οδηγίες σκοπός των οποίων είναι να διασφαλιστεί η αποτελεσματικότητα ή η καταλληλότητα μιας εγκατάστασης, του τρόπου χρήσης της ή των διαδικασιών συντήρησης.

3. Συνθήκες χρήσης

Έλεγχος πριν από τη χρήση



ΠΡΟΣΟΧΗ: Η χρήση του βαρούλκου caRol™, με τοποθέτηση μέσω του βραχίονα ποδιού σε ένα Tractel® tracode™, έχει δοκιμαστεί με επιτυχία. Για κάθε άλλη εγκατάσταση, επικοινωνήστε με την Tractel®

- Ελέγξτε ότι ο βραχίονας ποδιού του βαρούλκου caRol™ έχει συνδεθεί με ασφάλεια σε ένα από τα πόδια του Tractel® tracode™ (ανατρέξτε στην παράγραφο § 4.2.1)
- Ελέγξτε την κατάσταση του σχοινού σε όλο του το μήκος: δεν πρέπει να εμφανίζει συστροφές, ενδείξεις τριβής, διάβρωσης ή σπασμένα σύρματα.
- Ελέγξτε την κατάσταση της μεταλλικής δομής του βαρούλκου caRol™ (ελεύθερο παραμορφώσεων, βίδες σε σωστή θέση, κ.λπ.).
- Ελέγξτε τη λειτουργία του βαρούλκου caRol™ στρέφοντας τη διάταξη περιέλιξης προς την κατεύθυνση "ανύψωσης" και προς την κατεύθυνση "χαμηλώματος".
- Ελέγξτε την κατάσταση και λειτουργία του συνδέσμου: δεν πρέπει να υπάρχει διάβρωση ή ορατή παραμόρφωση και πρέπει να είναι δυνατό το άνοιγμα, το κλείσιμο και η ασφάλισή του.
- Ελέγξτε την κατάσταση των σχετικών εξαρτημάτων: Σημείο αγκύρωσης από το Tractel® tracode™, εξάρτυση και σύνδεσμοι. Ανατρέξτε στα εγχειρίδια κάθε προϊόντος.
- Ελέγξτε την πλήρη διάταξη ανύψωσης διάσωσης.

4. Λειτουργίες και περιγραφή

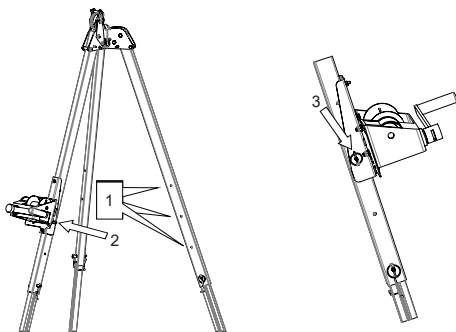
4.1. CaRol™ 20 m/30 m

Το βαρούλκο caRol™ είναι μια διάταξη ανύψωσης διάσωσης (ανύψωση μόνο) (EN 1496 κατηγορία Α): επιτρέπει σε ένα διασώστη να εκτελέσει διάσωση του χειριστή ανυψώνοντας σε ασφαλή θέση. Χρησιμοποιείται σε επικλινή θέση κατά τη διάσωση μέσω στερέωσης του βραχίονα ποδιού σε Tracode.

- Το βαρούλκο caRol™ είναι εξοπλισμένο με σχοινί από γαλβανισμένο χάλυβα Tractel® μήκους 20 ή 30 μέτρων.
- Το βαρούλκο caRol™ χρησιμοποιείται με ειδικά σχεδιασμένο βραχίονα ποδιού, μέσω του οποίου ασφαρίζεται σε ένα από τα πόδια του Tractel® tracode™ η ελάχιστη φέρουσα ικανότητα του οποίου είναι 15 kN.

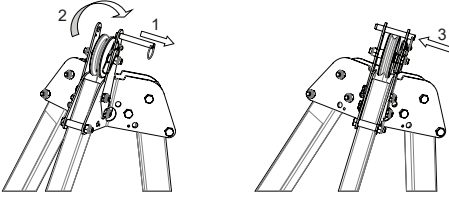
4.2.1 Εγκατάσταση του βαρούλκου caRol™ στο Tractel® Tracode™

1. - Αφαιρέστε τον πείρο ασφάλισης και τοποθετήστε το βαρούλκο caRol™ στο απαιτούμενο ύψος στο tracode™ (υπάρχουν 3 πιθανές θέσεις). Για αυτή την ενέργεια, ανατρέξτε στο ειδικό εγχειρίδιο του Tractel® tracode™.
2. - Ωθήστε τον πείρο ασφάλισης μέσα από τις οπές στο βραχίονα ποδιού και στο Tractel® tracode™.
3. - Ασφαλίστε τον πείρο ασφάλισης με το κλιπ με ελατήριο επαναφοράς



4.2.2 Τοποθέτηση σχοινού γύρω από την τροχαλία-οδηγό σχοινού στο Tractel® tracode™.

1. - Αφαιρέστε τον πείρο-οδηγό του σχοινού
2. - Περάστε το σχοινί από το βαρούλκο caRol™ πάνω από την τροχαλία και ακολουθήστε προς τα κάτω, μέσα από το κέντρο της κεφαλής του Tracode™.
3. - Επανατοποθετήστε τον πείρο οδήγησης του σχοινού για να αποτρέψετε την εκτροπή του σχοινού από την τροχαλία.



5. Λειτουργική αρχή

5.1. Διασωστική ενέργεια με χρήση του βαρούλκου caRol™



ΚΙΝΔΥΝΟΣ

Πρέπει να παρίσταται δεύτερο πρόσωπο για την εκτέλεση επιχειρήσις διάσωσης, εφόσον απαιτηθεί.

Οι απαιτούμενες ενέργειες διάσωσης πρέπει να μελετηθούν και να αξιολογηθούν εκ των προτέρων για να προσδιοριστεί το ανθρωπινό δυναμικό και ο εξοπλισμός που απαιτείται για τη διάσωση ενός χειριστή που χρειάζεται διάσωση σε διάστημα μικρότερο των 15 λεπτών. Κάθε μεγαλύτερο διάστημα θέτει σε κίνδυνο το χειριστή που χρειάζεται διάσωση.

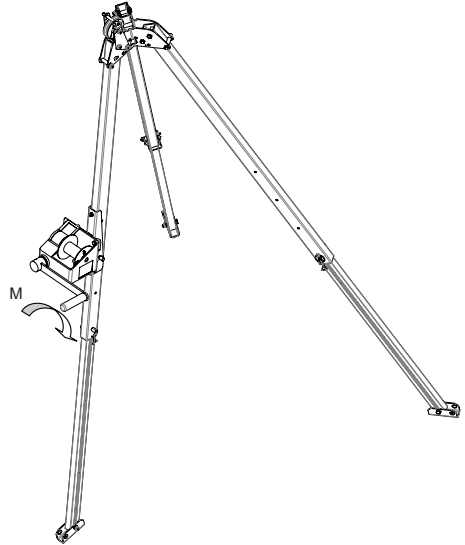
Για τις επιχειρήσεις διάσωσης, συστήνεται η χρήση άνετης εξάρτυσης ή εξάρτυσης που διαθέτει ιμάντες διάσωσης σύμφωνους με το πρότυπο EN 1497. Είναι ωστόσο δυνατή η χρήση εξάρτυσης αναστολής πτώσεων, εάν η εξάρτυση αυτού του τύπου χρησιμοποιείται από το χειριστή που χρειάζεται διάσωση.

Καθ' όλη τη διάρκεια της επιχείρησης διάσωσης, πρέπει να διατηρείται άμεση ή έμμεση οπτική επαφή ή άλλη επικοινωνία μεταξύ του διασώστη και των υπολοίπων προσώπων που εμπλέκονται στη διάσωση.



ΠΡΟΣΟΧΗ: Κατά τη διάρκεια επιχειρήσεων διάσωσης, η διάταξη βαρούλκου πρέπει να χρησιμοποιείται αποκλειστικά για σκοπούς διάσωσης και δεν πρέπει να χρησιμοποιείται για την ανύψωση φορτίων.

Για την εκτέλεση της ενέργειας ανύψωσης διάσωσης, στρέψτε τη διάταξη περιέλιξης προς την κατεύθυνση που υποδεικνύει το βέλος M για να ανακτήσετε το χειριστή ανυψώνοντάς τον.



ΚΙΝΔΥΝΟΣ

Εργασία ανύψωσης φορτίου χρησιμοποιώντας το βαρούλκο caRol™:

Απαγορεύεται κάθε ενέργεια ανύψωσης φορτίου χρησιμοποιώντας το βαρούλκο caRol™, εάν εκτελείται ταυτόχρονα με μια ενέργεια ανύψωσης διάσωσης ή ταυτόχρονα με την εργασία πρόσβασης με σχοινί.

Κατά την εκτέλεση ενεργειών διάσωσης, η διάταξη βαρούλκου πρέπει να χρησιμοποιείται αποκλειστικά για τις διασωστικές ενέργειες.

6. Μη επιτρεπόμενη χρήση

Οι κάτωθι ενέργειες απαγορεύονται αυστηρά:

- η εγκατάσταση ή χρήση βαρούλκου διάσωσης caRol™ χωρίς εξουσιοδότηση, εκπαίδευση και πιστοποίηση της ικανότητας χρήσης της διάταξης ή, για κάθε πρόσωπο που δεν καλύπτει αυτές τις απαιτήσεις, χωρίς εποπτεία από χειριστή εξουσιοδοτημένο, εκπαιδευμένο και πιστοποιημένο ως κατάλληλο για τη χρήση της διάταξης.
- η χρήση βαρούλκου caRol™ ενώ οποιαδήποτε από τις σημάνσεις του δεν είναι αναγνώσιμη.
- η εγκατάσταση ή χρήση βαρούλκου caRol™ στο οποίο δεν διεξήχθησαν οι προκαταρκτικοί έλεγχοι.
- η χρήση βαρούλκου caRol™ στο οποίο δεν εκτελέστηκε περιοδικός έλεγχος κατά τη διάρκεια των

προηγούμενων 12 μηνών ή λιγότερο, σύμφωνα με τη νομοθεσία ή τον κώδικα πρακτικής στη χώρα χρήσης, από τεχνικό αρμόδιο να εξουσιοδοτήσει εγγράφως τη συνεχιζόμενη χρήση του.

- η τοποθέτηση βαρούλκου caRoI™ σε Tractel® tracrode™ στο οποίο δεν εκτελέστηκε περιοδικός έλεγχος κατά τη διάρκεια των 12 προηγούμενων μηνών από τεχνικό αρμόδιο να εξουσιοδοτήσει τη συνεχιζόμενη χρήση του εγγράφως.
- η χρήση βαρούλκου caRoI™ για οποιαδήποτε εργασία πέραν της ανύψωσης διάσωσης προσώπων.
- η στερέωση ενός βαρούλκου caRoI™ με μέσα πέραν του βραχίονα ποδιού που έχει σχεδιαστεί ειδικά για το tracrode™.
- η χρήση του βαρούλκου caRoI™ με οποιοδήποτε τρόπο που αντικείται στις πληροφορίες που παρέχονται στην ενότητα "14. Λειτουργική ζωή".
- η χρήση του βαρούλκου caRoI™ για τη διάσωση περισσότερων του 1 χειριστή κάθε φορά.
- η χρήση του βαρούλκου caRoI™ για τη διάσωση χειριστή του συνολικό σωματικό βάρος του οποίου, συμπεριλαμβανομένου του εξοπλισμού και των εργαλείων, υπερβαίνει τα 150 κιλά.
- η χρήση βαρούλκου caRoI™ για τη στήριξη φορτίου μεταξύ 100 κιλών και 150 κιλών (συνολικό βάρος του χειριστή που απαιτεί διάσωση, με τον εξοπλισμό και τα εργαλεία του) εάν οποιοδήποτε εξάρτημα του συστήματος διάσωσης έχει μικρότερο όριο φορτίου χρήσης.
- η χρήση του βαρούλκου caRoI™ σε ιδιαίτερα διαβρωτική ή εκρηκτική ατμόσφαιρα.
- η χρήση του βαρούλκου caRoI™ εκτός του εύρους θερμοκρασίας που ορίζεται στο παρόν εγχειρίδιο.
- η χρήση του βαρούλκου caRoI™ εάν υπάρχουν εμπόδια στη διαδρομή της διάσωσης.
- η χρήση του βαρούλκου caRoI™ ενώ ο χειριστής δεν είναι σε καλή φυσική κατάσταση.
- η χρήση του βαρούλκου caRoI™ εάν η λειτουργία ασφαλείας που παρέχεται από οποιοδήποτε από τα συνδυασμένα στοιχεία επηρεάζεται από τη λειτουργία ασφαλείας κάποιου άλλου στοιχείου ή παρεμβάλλεται σε αυτήν.
- η χρήση βαρούλκου caRoI™ για τη στερέωση ή ανύψωση φορτίου εξοπλισμού ενώ το tracrode™ χρησιμοποιείται ως:
 - σημείο αγκύρωσης αναστολής πτώσης
 - διασωστική διάταξη
 - διάταξη αγκύρωσης για την εκτέλεση εργασίας πρόσβασης με σχοινί
- η χρήση του σχοινού του βαρούλκου caRoI™ ως αναρτήρα.

• η εκτέλεση οποιασδήποτε εργασίας επισκευής ή συντήρησης σε βαρούλκο caRoI™, χωρίς προηγούμενη εκπαίδευση και γραπτή πιστοποίηση από την TRACTEL®

• η χρήση του βαρούλκου caRoI™ ενώ δεν είναι πλήρες, εάν έχει προηγουμένως αποσυναρμολογηθεί και επανασυναρμολογηθεί ή εάν τα εξαρτήματά του αντικαταστάθηκαν από πρόσωπο που δεν φέρει την εξουσιοδότηση της TRACTEL®.

7. Εγκατάσταση

- Το βαρούλκο caRoI™ πρέπει να τοποθετηθεί σε ένα από τα τρία πόδια του tracrode™.
- Το tracrode™ πρέπει να είναι στερεωμένο σε σταθερό έδαφος: ανατρέξτε στην § με τίτλο "Εγκατάσταση" στο εγχειρίδιο του Tractel® tracrode™.

8. Στοιχεία και υλικά

- Σχοινί: γαλβανισμένος χάλυβας
- Σύνδεσμος M47: γαλβανισμένος χάλυβας
- Βαρούλκο caRoI™: βαμμένος χάλυβας
- Βραχίονας ποδιού βαρούλκου caRoI™: βαμμένος χάλυβας

9. Σχετικούς εξοπλισμούς

Σύμφωνα με το πρότυπο EN 363, το βαρούλκο caRoI™ αποτελεί μέρος ενός συστήματος αναστολής πτώσεων, το οποίο πρέπει να αποτελείται από τα εξής:

- Ένα σημείο αγκύρωσης (EN 795).
- Έναν σύνδεσμο άκρης (EN 362).
- Μια διάταξη ανύψωσης διάσωσης (EN 1496)
- Έναν σύνδεσμο (EN 362).
- Μία εξάρτηση αναστολής πτώσεων (EN 361).

Κάθε άλλο στοιχείο εξοπλισμού απαγορεύεται.

10. Αποθήκευση και συντήρηση

- Εάν το βαρούλκο caRoI™ λερωθεί, πρέπει να πλυθεί με καθαρό, κρύο νερό, εάν απαιτείται με απορρυπαντικό για ευαίσθητα υφάσματα και συνθετική βούρτσά.
- Εάν το βαρούλκο caRoI™ βραχεί κατά τη χρήση ή ως αποτέλεσμα πλυσίματος, πρέπει να αφεθεί να στεγνώσει φυσικά, μακριά από την άμεση ηλιακή ακτινοβολία και οποιαδήποτε πηγή θερμότητας.
- Πριν τη μεταφορά και την αποθήκευση, τυλίξτε τον εξοπλισμό σε προστατευτική συσκευασία που θα τον προστατέψει από υγρασία και από ζημία (πηγές άμεσης θερμότητας, χημικά, ακτινοβολία UV, κ.λπ.).

- Εάν το προϊόν μολυνθεί, επικοινωνήστε με την Tractel® ή κάποιον από τους αντιπροσώπους της.

11. Συμμόρφωση εξοπλισμού

Η TRACTEL® SAS RD 619 – Saint-Hilaire-sous-Romilly – F-10102 Romilly-sur-Seine, Γαλλία δια του παρόντος δηλώνει ότι ο εξοπλισμός ασφάλειας που περιγράφεται σε αυτό το εγχειρίδιο, είναι πανομοιότυπος με τον εξοπλισμό που ελέγχθηκε και βρέθηκε σύμφωνο με το πρότυπο EN 1496(2017) από την APAVE SUDEUROPE SAS – CS 60193 – 13322 Marseille – Γαλλία

12. Σήμανση

Η ετικέτα σε κάθε βαρούλκο caRoI™ υποδεικνύει τα εξής:

- α. Την εμπορική ονομασία: TRACTEL®.
- β. Την ονομασία του προϊόντος.
- γ. Το πρότυπο αναφοράς και το έτος εφαρμογής.
- δ. Τον κωδικό αναφοράς του προϊόντος
- στ. Την ημερομηνία κατασκευής
- ζ. Το σειριακό αριθμό.
- η. Ένα εικονοσύμβολο που υποδεικνύει την ανάγνωση του εγχειριδίου πριν από τη χρήση του εξοπλισμού.
- Ιδ. Τη διάμετρο του σχοινιού
- ω. Το όριο φορτίου χρήσης.
- x. Το μέγιστο μήκος λειτουργίας

13. Περιοδικός έλεγχος και επίσκευή

Ο ετήσιος περιοδικός έλεγχος είναι υποχρεωτικός, ωστόσο ανάλογα με τη συχνότητα χρήσης, τις περιβαλλοντικές συνθήκες και τον κανονισμό της επιχείρησης ή της χώρας χρήσης, οι περιοδικοί έλεγχοι μπορεί να πραγματοποιούνται συχνότερα.

Οι περιοδικοί έλεγχοι πρέπει να πραγματοποιούνται από εξουσιοδοτημένο και αρμόδιο τεχνικό και τηρουμένων των διαδικασιών ελέγχου του κατασκευαστή που αναφέρονται στο αρχείο «Οδηγίες ελέγχου των ΜΑΠ της TRACTEL®».

Η επαλήθευση της αναγνωσιμότητας της σήμανσης επάνω στο προϊόν αποτελεί αναπόσπαστο τμήμα του περιοδικού ελέγχου.

Μετά το πέρας αυτού του περιοδικού ελέγχου, πρέπει να δηλώνεται εγγράφως η καταλληλότητα του ΜΑΠ για απόδοση σε χρήση από τον εξουσιοδοτημένο και αρμόδιο τεχνικό ο οποίος πραγματοποίησε τον έλεγχο. Η εν λόγω απόδοση σε χρήση του προϊόντος πρέπει να καταγραφεί στο μητρώο ελέγχου το οποίο βρίσκεται στο μέσο του παρόντος εγχειριδίου. Το εν λόγω μητρώο ελέγχου πρέπει να διατηρηθεί καθ' όλη τη διάρκεια ζωής του προϊόντος μέχρι την απόσυρσή του.

14. Λειτουργική ζωή

Τα υφασμάτινα ΜΑΠ της TRACTEL®, όπως οι εξαρτήσεις, μάντες σχοινιά και αποσβεστήρες, τα μηχανικά ΜΑΠ της TRACTEL® όπως οι αναστολές πτώσης storcable™ και storfor™, οι αυτο-συμπυκνωμένοι αναστολές πτώσης τύπου blocfor™, οι γραμμές διάσωσης TRACTEL® και ο μηχανικός εξοπλισμός ανύψωσης διάσωσης TRACTEL® όπως τα βαρούλκα ascaRoI™ μπορούν να χρησιμοποιούνται υπό την προϋπόθεση ότι από την ημερομηνία κατασκευής τους θα αποτελούν αντικείμενο:

- κανονικής χρήσης, σύμφωνα με τις συστάσεις χρήσης που παρέχονται στο παρόν εγχειρίδιο.
- περιοδικού ελέγχου, ο οποίος πρέπει να πραγματοποιείται τουλάχιστον μία φορά ετησίως από εξουσιοδοτημένο και αρμόδιο τεχνικό. Μετά το πέρας αυτού του περιοδικού ελέγχου, πρέπει να δηλώνεται εγγράφως η καταλληλότητα του εξοπλισμού για απόδοση σε χρήση.
- αποθήκευσης και μεταφοράς σε συμμόρφωση με τις προϋποθέσεις που υποδεικνύονται στο παρόν εγχειρίδιο.

15. Απόρριψη

Κατά την απόρριψη του προϊόντος, η ανακύκλωση των διαφόρων συστατικών μερών του μέσω διαλογής των υλικών σε μεταλλικά και συνθετικά είναι υποχρεωτική. Τα υλικά αυτά πρέπει να ανακυκλώνονται από εξειδικευμένους οργανισμούς. Κατά την απόρριψη, η αποσυναρμολόγηση για τον διαχωρισμό των συστατικών μερών πρέπει να πραγματοποιείται από αρμόδιο άτομο.

2-Χρήση του βαρούλκου caRoI™ για την ανύψωση φορτίων σύμφωνα με την κατευθυντήρια οδηγία 2006/42/ΕΚ:

Εργασία ανύψωσης φορτίου με χρήση του βαρούλκου caRoI™:



ΚΙΝΔΥΝΟΣ: το βαρούλκο caRoI™ δεν μπορεί να χρησιμοποιηθεί ως διάταξη ανύψωσης φορτίου όταν το tracrode™ χρησιμοποιείται:

- Ως σημείο αγκύρωσης αναστολής πτώσης
- Ως διασωστική διάταξη
- Ως σημείο αγκύρωσης για πρόσωπο που εργάζεται ενώ είναι αναρτημένο με σχοινί

Το όριο φορτίου εργασίας είναι 250 κιλά, όταν το βαρούλκο caRoI™ είναι τοποθετημένο σε ένα από τα

πόδια του tracpode™

Για την εκτέλεση εργασίας ανύψωσης, συνδέστε το φορτίο στο σύνδεσμο στο άκρο του σχοινιού

Καθ' όλη τη διάρκεια της ενέργειας ανύψωσης, ο χειριστής πρέπει να διασφαλίσει ότι δεν παρίστανται άλλοι χειριστές κάτω από το φορτίο κατά τη μετακίνησή του

Για την εκτέλεση της ενέργειας ανύψωσης φορτίου, στρέψτε τη διάταξη περιέλιξης προς την κατεύθυνση που υποδεικνύει το βέλος M για να ανυψώσετε το φορτίο και προς την αντίθετη κατεύθυνση για να χαμηλώσετε το φορτίο.

3 - Χρήση του βαρούλκου caRol™ για την εργασία με πρόσβαση με σχοινί, σύμφωνα με την κατευθυντήρια οδηγία 2001/45/EK:

Εργασία με πρόσβαση με σχοινί που εκτελείται με χρήση του βαρούλκου caRol™:



ΚΙΝΔΥΝΟΣ: το βαρούλκο caRol™ δεν μπορεί να χρησιμοποιηθεί ως διάταξη ανύψωσης φορτίου όταν το tracpode™ χρησιμοποιείται:

- Ως σημείο αγκύρωσης αναστολής πτώσης
- Ως διασσωστική διάταξη
- Ως διάταξη αγκύρωσης για την εκτέλεση εργασίας πρόσβασης με σχοινί

Εργασία με πρόσβαση με σχοινί που διευκολύνεται από τη χρήση του βαρούλκου caRol™:

Το βαρούλκο caRol™ μπορεί να χρησιμοποιηθεί ως μέσο πρόσβασης με σχοινί και ως διάταξη τοποθέτησης σύμφωνα με την κατευθυντήρια οδηγία 2001/45/EK του Ευρωπαϊκού Συμβουλίου της 27ης Ιουνίου 2001.

Συνθήκες που πρέπει να πληρούνται κατά την εφαρμογή τεχνικών πρόσβασης και τοποθέτησης με σχοινί.

Η διάταξη πρέπει να αποτελείται κατ' ελάχιστον από ένα σχοινί (ή συρματόσχοινο) πρόσβασης (π.χ. που παρέχεται από βαρούλκο διάσωσης caRol™, μια διάταξη καθόδου, μια διάταξη ανόδου) το οποίο παρέχει ένα μέσο πρόσβασης, ανύψωσης ή χαμηλώματος και στήριξης και ένα σχοινί (ή συρματόσχοινο) ασφάλειας, εξοπλισμένο με διάταξη αναστολής πτώσης (μια διάταξη αναστολής πτώσης σε εύκαμπτη υποκείμενη στήριξη, όπως μια διάταξη αναστολής πτώσης Storfot™ ή μιας αυτο-συμπυκνωμένης διάταξη αναστολής πτώσης Blocfor™). Αυτά τα δύο σχοινιά (συρματόσχοινα) πρέπει να στερεώνονται ανεξάρτητα σε δύο σημεία αγκύρωσης, σύμφωνα με το πρότυπο EN795 ή σε ένα

σημείο αγκύρωσης η φέρουσα ικανότητα του οποίου έχει αξιολογηθεί και βρεθεί ικανοποιητική από τον εργοδότη ή αρμόδιο πρόσωπο.

Οι χειριστές που χρησιμοποιούν την τεχνική πρόσβασης και τοποθέτησης με σχοινί πρέπει να φορούν και να χρησιμοποιούν κατάλληλη εξάρτηση αναστολής πτώσεων, η οποία πρέπει να είναι συνδεδεμένη τόσο με το σχοινί ασφάλειας, όσο και με το σχοινί πρόσβασης.

GR



VIKTIG

**caRoL™ vinsjen kan brukes individuelt:
som redningsløftesystem (kun løfting)
(EN 1496)
eller
som lastløftesystem, i samsvar med direktiv
2006/42/EF
eller
som tautilgangs- og posisjoneringssystem,
i samsvar med direktiv 2001/45/EF
caRoL™ vinsjen skal bare brukes til å utføre ett
av bruksformålene på samme tid (enheten kan
altså ikke brukes til flere formål samtidig).**

1 – Bruk av caRoL™ vinsj for redningsløfting (EN 1496):

Tekniske spesifikasjoner

Redningsoperasjon utført ved bruk av caRoL™ vinsj:

⚠ FARE: caRoL™ vinsjen kan ikke brukes som lastløfteenhet når trapcode™ enheten som den er utstyrt med, samtidig brukes:

- som forankringspunkt for fallsikring
- som redningssystem
- som forankringssystem for tautilgangsarbeid

Standard: EN 1496 klasse A

Modell	CaRoL™ 20 m	CaRoL™ 30 m
Vekt (kg)	9,34	16
Mål L x B x D (mm)	400 x 275 x 100	600 x 320 x 130
Lengde på galvanisert stålkabel (m) med diameter 5 mm	20	30

1. Generelle advarsler

1. Før du bruker utstyret, og for å sikre at det brukes trygt og effektivt, er det viktig at du har lest og forstått opplysningene i bruksanvisningen fra TRACTEL SAS. Bruksanvisningen må oppbevares på en slik måte at den alltid er tilgjengelig for alle brukere. Ekstra eksemplarer kan fås på forespørsel.
2. Før dette sikkerhetsutstyret brukes, er det viktig at brukere får opplæring i hvordan det skal brukes. Kontroller tilstanden på alt tilhørende utstyr, og sørg for at det er tilstrekkelig klaring under operatøren i tilfelle fall.

3. Dette utstyret må bare brukes av en opplært og kompetent operatør, eller av en operatør under tilsyn av en opplært og kompetent bruker.
4. Hvis dette utstyret ikke ser ut til å være i god stand, må alt utstyret kontrolleres av TRACTEL® SAS eller av en kvalifisert og kompetent tekniker som må gi skriftlig autorisasjon til fortsatt bruk av systemet. En visuell kontroll skal utføres før hver bruk.
5. Utstyret skal ikke gjennomgå endringer eller tillegg uten skriftlig godkjenning fra TRACTEL® SAS. Utstyret må transporteres og oppbevares i originalemballasjen.
6. Hvis det ikke er utført en periodisk inspeksjon av utstyret i løpet av de foregående 12 månedene eller mindre i samsvar med lovene eller normene i brukerlandet, må utstyret ikke brukes. Det kan først tas i bruk igjen etter at en ny periodisk kontroll har blitt utført av en kompetent og godkjent tekniker som autoriserer videre bruk skriftlig. I fravær av disse inspeksjonene og godkjenningene skal utstyret anses som uegnet for bruk og ødelegges.

7. Lastgrensen for dette utstyret er 150 kg.

8. Dersom operatørens vekt pluss vekten av operatørens utstyr og verktøy er på mellom 100 kg og 150 kg, må du forsikre deg om at denne totale vekten (operatør + utstyr + verktøy) ikke overstiger den maksimale brukslasten for hvert av elementene til fallsikringssystemet.

9. Dette utstyret er egnet til bruk i friluft og innenfor et temperaturområde på -35 °C til +60 °C. Unngå enhver kontakt med skarpe kanter, slipende overflater og kjemiske stoffer.

10. Hvis du er ansvarlig for å levere ut utstyret til en ansatt eller lignende person, må dette skje i overensstemmelse med gjeldende lovgivning for helse og sikkerhet på arbeidsplassen.

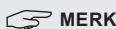
11. Operatøren må være i god fysisk og psykisk form når han/hun bruker utstyret. Dersom det skulle være tvil om dette, må lege/bedriftslege oppsøkes. Gravide kvinner har ikke lov til å bruke utstyret.

12. Utstyret må ikke brukes utover dets bruksgrenser eller i andre situasjoner enn det er beregnet for (se avsnitt 4 – "Funksjoner og beskrivelse".)

13. Det er tilrådelig å utdele utstyret til hver operatør personlig, spesielt hvis operatøren er en ansatt.

14. Før et fallsikringssystem etter standarden EN 363 tas i bruk, må brukeren forsikre seg om at alle komponenter er i god stand og fungerer som de skal. Dette gjelder både sikkerhetssystemet og låsesystemet. Ved oppsett er det viktig å sikre at sikkerhetsfunksjonene ikke forringes på noen måte.

15. Ved bruk av et fallsikringssystem er det viktig å kontrollere, før hver bruk, klaringen under operatøren på arbeidsstedet, slik at det ikke er fare for å treffe bakken eller hindringer i hans eller hennes vei, hvis operatøren faller (for fallsikringssystemet stopper fallet).
16. En fallsikringssele er den eneste anordningen for kroppsfangning som er tillatt å bruke i et fallsikringssystem.
17. Det er avgjørende for operatørens sikkerhet at utstyret eller forankringspunktet er riktig plassert, og at arbeidet utføres på en måte som minimerer fallrisiko og fallhøyde.
18. Med hensyn til operatørens sikkerhet skal forhandleren, dersom utstyret selges utenfor det primære landet for tilsiktet salg, utlevere bruksanvisning og instruksjoner om vedlikehold, periodisk kontroll og reparasjonsarbeid, som alle skal være skrevet på språket i landet der utstyret skal brukes.
19. Sørg for at en redningsplan er utarbeidet og er på plass.

**MERK**

For enhver spesialbruk ber vi deg kontakte
TRACTEL® SAS.

2. Definisjoner og piktogrammer

2.1. Definisjoner

"Bruker": Person eller avdeling som er ansvarlig for forvaltningen og trygg bruk av produktet som er beskrevet i denne bruksanvisningen.

"Tekniker": Sakkyndig person som har i oppgave å utføre vedlikeholdsarbeidene som er beskrevet og godkjent i bruksanvisningen. Teknikeren er sakkyndig og kjent med produktet.

"Operatør": En person som er i stand til å bruke produktet på tiltenkt måte.

"PVU": Personlig verneutstyr som gir beskyttelse mot fall fra høyde.

"Kontakt": Et koblingsselement mellom komponenter i et fallsikringssystem. I samsvar med standard EN 362.

"Fallsikringssele": Kropssele utformet for å stanse fall. Består av seler og spennere. Det har festepunkter for fallsikring merket med en A dersom de kan brukes alene, eller med A/2, dersom de skal brukes sammen med et annet punkt merket A/2. I samsvar med standard EN 361.

"Lastgrense": Maksimal masse av operatøren med egnede arbeidsklær på, riktig PVU, verktøy og deler som er nødvendige for arbeidet som skal utføres.

"Redningssystem": Et sett av produkter som består av følgende:

- Fallsikringssele eller sittesele, eller sele med redningsstropp.
- Redningsløftesystem.
- Forankringspunkt via tracpode™ fra Tractel®.
- Forbindelseelement.

"Komponent i redningssystemet": Generelt begrep som definerer et av de følgende elementene:

- Fallsikringssele eller sittesele, eller sele med redningsstropp.
- Redningsløftesystem.
- Forankringspunkt via tracpode™ fra Tractel®.
- Forbindelseelement.

"Redningsløfteenhet, EN 1496 klasse A": komponent av personlig verneutstyr til redningsformål, som personer kan bruke til å vinsje eller løfte seg opp fra et lavere til et høyere sted, eller løftes av en redningsperson.

"Redningsutstyr": individuelt system for beskyttelse mot fall som en operatør kan bruke til å redde seg selv eller andre slik at fall forhindres.

2.2. Piktogrammer



FARE: refererer til instruksjoner hvis formål er å unngå skader på operatører, herunder dødelige, alvorlige eller lette personskader, samt skader på miljøet.



VIKTIG: Plasseres på begynnelsen av linjen, refererer til instruksjoner hvis formål er å hindre at utstyrssvikt oppstår eller for å unngå at utstyret blir skadet i situasjoner der livet eller helsen til operatøren eller andre ikke er i direkte fare, og/eller der skader på miljøet er usannsynlig.



MERK: Plasseres på begynnelsen av linjen og refererer til instruksjoner hvis formål er å sikre effektiviteten eller egnetheten til en installasjon, hvordan den brukes eller for vedlikeholdsarbeid.

3. Bruksbetingelser

Kontroller før bruk



VIKTIG: Bruken av caRoI™ vinsjen, montert via benbraketten til en Tractel® tracpode™, har blitt testet med tilfredsstillende resultat. Kontakt Tractel® for andre typer installasjoner.

- Kontroller at caRoI™ vinsjens benbraketter er ordentlig festet til bena på Tractel® tracode™ (se § 4.2.1).
- Kontroller kabelenes tilstand langs hele lengden: Den må ikke vise tegn på bøyning, slitasje, korrosjon eller ødelagte ledninger.
- Sjekk tilstanden på metallstrukturen på caRoI™ vinsjen (ingen deformasjon, skruer på plass osv.).
- Kontroller caRoI™ vinsjens virkemåte ved å dreie spolen i "heveretning" og deretter i "senkeretning".
- Kontroller kontaktens tilstand og virkemåte – det skal ikke være korrosjon eller synlig deformasjon, og den må kunne åpnes, lukkes og låses.
- Kontroller tilstanden til tilknyttede komponenter: Forankringspunktet via Tractel® tracode™, seler og kontakter. Se håndbøkene som er spesifikke for hvert produkt.
- Kontroller hele redningsløftesystemet.

4. Funksjoner og beskrivelse

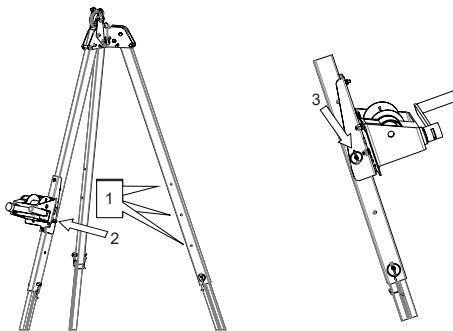
4.1. CaRoI™ 20 m/30 m

caRoI™ vinsjen er en redningsløfteenhet (kun løfting) (EN 1496 klasse A) som gjør det mulig for redningspersonen å redde en operatør ved å heve eller senke ham/henne til sikkerhet. Den brukes i skråstilling når den sikres til en Tracode via benbraketten.

- caRoI™ vinsjen er utstyrt med en Tractel® galvanisert stålkabel, 20 eller 30 m lang.
- caRoI™ vinsjen brukes med en spesialdesignet benbrakett som brukes til å feste vinsjen til et av bena på Tractel® tracode™, som har en minste bærekapasitet på 15 kN.

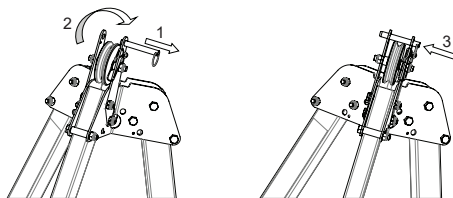
4.2.1 Installere caRoI™ vinsjen på Tractel® Tracode™

1. - Fjern låsestiften og plasser så caRoI™ vinsjen i ønsket høyde på tracode™ (3 mulige stillinger). Se brukerhåndboken for Tractel® tracode™ for informasjon om denne operasjonen.
2. - Skyv låsestiften gjennom hullene i benbraketten og i Tractel® tracode™.
3. - Fest låsestiften med fjærklipsen.



4.2.2 Feste kabelen rundt kabeltrinsen på Tractel® tracode™.

1. - Fjern kabelføringsstiften.
2. - Kjør kabelen fra caRoI™ vinsjen over trinsen og deretter gjennom midten av hodet på tracode™.
3. - Fest kabelføringsstiften for å hindre at kabelen hopper av trinsen.



5. Driftsprinsipp

5.1. Redningsoperasjon utført ved bruk av caRoI™ vinsjen



En andre person må være tilgjengelig i nærheten for å utføre en redningsoperasjon om nødvendig.

De nødvendige redningsoperasjonene må undersøkes og vurderes på forhånd for å definere hvilke menneskelige ressurser og hva slags utstyr som er nødvendig for å redde en operatør i nød på mindre enn 15 minutter. Enhver lengre periode enn dette vil sette operatøren i fare.

For redningsoperasjoner anbefales bruk av en komfortabel sele eller en sele utstyrt med EN

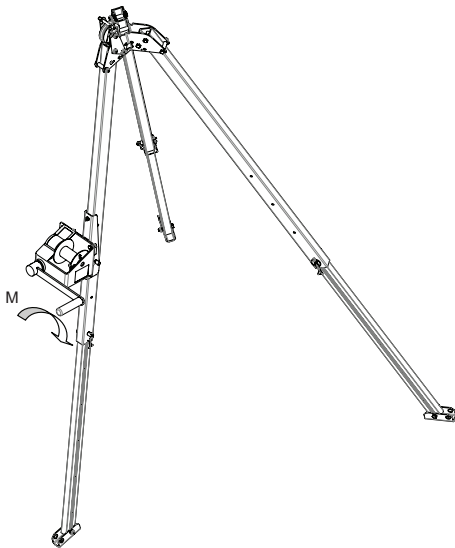
1497-redningstropser. Det er imidlertid mulig å benytte en fallsikringssele hvis denne typen sele bæres av operatøren som trenger å bli reddet.

For hele redningsoperasjonens varighet må direkte eller indirekte øyekontakt, eller annen kommunikasjonsmåte, opprettholdes mellom redningspersonen og de andre personene som er involvert i redningen.



VIKTIG: Under redningsoperasjoner må vinsystemet utelukkende brukes til redningsformål, og det må ikke brukes til å løfte last.

For å utføre redningsløfteoperasjonen vrir du spolen i retningen som er angitt ved pilen M for å bevege operatøren.



FARE

Lastløfteoperasjon ved bruk av caRol™ vinsjen:

Alle lastløfteoperasjoner ved bruk av caRol™ vinsjen er forbudt dersom de utføres samtidig med en løfteoperasjon eller samtidig som tautilgangsarbeid.

Under redningsoperasjoner må vinsystemet være utelukkende dedikert til redningsoperasjoner.

6. Forbudt bruk

Følgende er strengt forbudt:

- installasjon eller bruk av en caRol™ redningsvinsj uten å være godkjent, opplært og anerkjent som kompetent til å bruke enheten eller, for de som ikke oppfyller disse kravene, uten å bli overvåket av en operatør som er autorisert, opplært og anerkjent som kompetent til å bruke enheten
- bruke en caRol™ vinsj hvis noe av merkingen på den ikke er leselig
- installere eller bruke en caRol™ vinsj som ikke har gjennomgått forhåndsinspeksjon
- bruke en caRol™ vinsj som ikke har gjennomgått en periodisk inspeksjon i løpet av de siste 12 månedene eller mindre i samsvar med lovene eller normene i brukslandet av en tekniker som kan godkjenne utstyrets fortsatte bruk skriftlig
- installere en caRol™ vinsj på en Tractel® tracpode™ som ikke har gjennomgått periodisk inspeksjon i løpet av de foregående 12 månedene av en tekniker som er bevilget til å gi en skriftlig autorisasjon om fortsatt bruk
- bruke en caRol™ vinsj for noe annet formål enn redningsløfting av personer
- sikre en caRol™ vinsj på noen annen måte enn ved bruk av benbraketten som er spesielt designet for tracpode™
- bruke en caRol™ vinsj på noen måte som motstrider informasjonen gitt i avsnitt 14 – "Levetid"
- bruke en caRol™ vinsj for redning av flere enn én operatør på samme tid
- bruke en caRol™ vinsj til å redde en operatør med en total masse, inkludert utstyr og verktøy, over 150 kg
- bruke en caRol™ vinsj til å støtte en last på mellom 100 kg og 150 kg (total vekt av operatøren i nød pluss hans/hennes utstyr og verktøy), hvis noen komponenter i redningssystemet har en lavere maksimal lastgrense
- bruke en caRol™ vinsj i en svært etsende eller eksplosiv atmosfære
- bruke en caRol™ vinsj utenfor temperaturområdet som er spesifisert i denne bruksanvisningen
- bruke en caRol™ vinsj hvis det er hinder i veien for redningen.
- bruke en caRol™ vinsj hvis operatøren ikke er i god fysisk form
- bruke en caRol™ vinsj hvis sikkerhetsfunksjonen til et av de tilknyttede produktene blir berørt av

sikkerhetsfunksjonen til et annet produkt eller griper inn i denne

- bruke en caRoL™ vinsj for å sikre eller løfte en last av utstyr hvis tracode™ brukes som:
 - forankringspunkt for fallsikring
 - redningssystem
 - forankringssystem for tautilgangsarbeid
- bruke kabelen på en caRoL™ vinsj som en slynge
- utføre reparasjoner eller vedlikehold på en caRoL™ vinsj uten først å ha blitt opplært og kvalifisert, skriftlig, av TRACTEL®
- bruke en caRoL™ vinsj hvis den ikke er fullstendig, hvis den tidligere har vært demontert og montert eller hvis komponenter har blitt erstattet av en person som ikke er autorisert av TRACTEL®

7. Installasjon

- caRoL™ vinsjen må festes til et av de tre bena på tracode™.
- tracode™ må stå på et stabilt grunnlag; se avsnittet "Installasjon" i håndboken for Tractel® tracode™.

8. Komponenter og materialer

- Kabel: galvanisert stål
- M47-kontakt: galvanisert stål
- caRoL™ vinsj: malt stål
- caRoL™ vinsjens benbrakett: malt stål

9. Tilhørende utstyr

I henhold til standard EN 363 er caRoL™ vinsjen en del av et fallsikringssystem, som må bestå av:

- Et forankringspunkt (EN 795)
- En endekobling (EN 362)
- En redningsløfteenhet (EN 1496)
- En kobling (EN 362)
- En fallsikringssele (EN 361)

Alle andre deler av tilhørende utstyr er forbudt.

10. Vedlikehold og oppbevaring

- Hvis en caRoL™ vinsj er skitten, må den vaskes med rent, kaldt vann, om nødvendig med et rengjøringsmiddel for ømfintlige tekstiler, og ved hjelp av en syntetisk børste.
- Hvis en caRoL™ vinsj blir våt under bruk eller som et resultat av vasking, må den tørke naturlig vekk fra direkte sollys og fra enhver varmekilde.

• Før transport og lagring må utstyret pakkes i beskyttende emballasje som holder fuktighet ute og beskytter mot skader (direkte varmekilder, kjemikalier, UV-stråling osv.).

• Hvis produktet er tilsmusset, ber vi deg kontakte Tractel® eller en av forhandlerne.

11. Samsvarsopplysninger

TRACTEL® SAS RD 619 – Saint-Hilaire-sous-Romilly – F-10102 Romilly-sur-Seine France erklærer med dette at sikkerhetsutstyret som er beskrevet i denne håndboken, er identisk med utstyret som ble testet og funnet å være i samsvar med standard EN 1496(2017) av APAVE SUDEUROPE SAS – CS 60193 – 13322 Marseille – Frankrike

12. Merking

Etiketten på caRoL™ vinsjen indikerer:

- a. Varenavnet: TRACTEL®.
- b. Produktets navn
- c. Referansestandarder etterfulgt av året for ikrafttredelse
- d. Produktets referanse
- f. Produksjonsdato
- g. Serienummeret
- h. Et piktogram som indikerer at bruksanvisningen må leses før installasjon og bruk
- n. Kabelens diameter
- w. Lastgrensen
- x. Maksimal driftslengde

13. Periodisk kontroll og reparasjon

Det er krav om årlig periodisk kontroll, men det kan kreves kontroll oftere avhengig av hvor ofte produktet blir brukt, miljøbetingelsene og bedriftens eller brukerslandets egne regelverk.

De periodiske kontrollene må kun utføres av sakkyndige og godkjente teknikere i overensstemmelse med produsentens kontrollmetoder, som angitt i dokumentet "Verifiseringsprosedyrer for PVU fra TRACTEL®".

Verifisering om lesbarhet av merkingen på produktet er en vesentlig del av den periodiske kontrollen.

Etter at den periodiske kontrollen er utført, må den autoriserte og sakkyndige teknikeren som utførte inspeksjonen, bekrefte skriftlig at utstyret kan brukes igjen. Ny idriftsettelse må registreres på inspeksjonsskjemaet som finnes i midten av denne bruksanvisningen. Dette inspeksjonsskjemaet må

oppbevares gjennom hele produktets levetid, helt til produktet anses som uegnet til bruk.

14. Levetid

Tekstiler i PVU fra TRACTEL[®], som seler, forbindelseslinjer, tau og støtdempere, mekanisk PVU fra TRACTEL[®] som fallskiringene stopcable[™] og stopfor[™], og blocfor[™] fallskiringer med automatisk inntrekking, TRACTEL[®] livlinjer og TRACTEL[®] mekanisk redningsløfteutstyr som caRol[™] vinsjer kan brukes på betingelse av at de fra deres produksjonsdato:

- brukes normalt, i samsvar med anbefalingene gitt i denne bruksanvisningen
- kontrolleres periodisk minst én gang i året av en godkjent og sakkyndig tekniker Etter at den periodiske kontrollen er utført, må det sertifiseres skriftlig at utstyret igjen kan tas i bruk.
- lagres og transporteres i samsvar med vilkårene som er angitt i denne bruksanvisningen.

15. Avfallshåndtering

Når produktet skal kasseres, er det obligatorisk å resirkulere de ulike komponentene ved å sortere materialer i metall og syntetiske materialer. Disse materialene skal leveres inn til resirkulering hos avfallselskap. Ved kassering av produktet må demonteringen av de ulike komponentene foretas av en sakkyndig person.

2 - Bruke caRol[™] vinsjen for lastløfting i samsvar med direktiv 2006/42/EF:

Lastløfteoperasjon ved bruk av caRol[™] vinsjen:



FARE: caRol[™] vinsjen kan ikke brukes som lastløfteenhet når tracode[™] samtidig brukes:

- som forankringspunkt for fallsikring
- som redningssystem
- som forankringssystem for en person som arbeider hengende i et tau

Lastgrensen er 250 kg når caRol[™] vinsjen er montert på en av benene på tracode[™].

For å utføre en løfteoperasjon fester du lasten til kontakten på enden av kabelen.

Gjennom hele løfteoperasjonens varighet må operatøren sørge for at ingen annen operatør befinner seg under lasten mens den flyttes.

For å utføre lastløfteoperasjonen vrir du spolen i retningen som er angitt ved pilen M for å heve lasten og i motsatt retning for å senke den.

3 - Bruke caRol[™] vinsjen for tautilgangsarbeid i samsvar med direktiv 2001/45/EF:

Tautilgangsarbeid utført ved bruk av caRol[™] vinsjen:



FARE: caRol[™] vinsjen kan ikke brukes som lastløfteenhet når tracode[™] samtidig brukes:

- som forankringspunkt for fallsikring
- som redningssystem
- som forankringssystem for tautilgangsarbeid

Tautilgangsarbeid mulig gjort ved bruk av caRol[™] vinsjen:

caRol[™] vinsjen kan brukes som et tautilgangs- og posisjoneringssystem i samsvar med EU-direktiv 2001/45/EF av 27. juni 2001.

Betingelser som må oppfylles ved bruk av tautilgangs- og posisjoneringsteknikker.

Systemet må som et minimum bestå av et tilgangstau (eller en kabel) (f.eks. forsynt med en CaRol[™] redningsvinsj, en nedstigende enhet, en stigende enhet) som gir tilgang til, heving eller senking og støtte, og et sikkerhetstau (eller kabel) utstyrt med et fallsikringssystem (fallsikring på en fleksibel underliggende støtte, for eksempel Stopfor[™] eller Blocfor[™] fallsikring med automatisk inntrekking). Disse to tauene (kablene) må sikres uavhengig ved to forankringspunkter i henhold til EN795-standarden eller til et forankringspunkt hvis lastebærende kapasitet er vurdert og funnet å være tilfredsstillende av arbeidsgiveren eller av en kompetent person.

Operatører som bruker tautilgangs- og posisjoneringsteknikk, må ha på seg og bruke en egnet fallsikringssele som må festes til både sikkerhetstauet og tilgangstauet.



VIKTIGT

**CaRoL™-vinschen kan användas separat:
Som en lyftanordning för räddning (endast lyft)
(EN 1496)**

eller

**Som ett lastlyftningssystem, i enlighet med
direktiv 2006/42/EG**

eller

**Som ett linåtkomst- och
positioneringssystem, i enlighet med direktiv
2001/45/EG.**

**Vid användning av caRoL™-vinschen, får
anordningen endast användas för att utföra
en av dessa uppgifter åt gången (t.ex. får en
ytterligare åtgärd ej utföras simultant)**

1 - Använda caRoL™-vinschen vid räddningslyft (EN 1496):

Tekniska specifikationer

Räddningsoperation utförd med hjälp av caRoL™-vinschen:

! **FARA:** CaRoL™-vinschen får ej användas som en anordning för lyft av laster när den trapode™ till vilken den är monterad samtidigt används:

- Som en förankringssystem för fallskyddssystem
- Som ett fallskyddssystem
- Som ett förankringssystem för åtkomst med arbetslina

Standard: EN 1496 klass A

Modell	CaRoL™ 20 m	CaRoL™ 30 m
Vikt (kg)	9,34	16
Dimensioner L x B x D (mm)	400 x 275 x 100	600 x 320 x 130
Längd på den Ø 5 mm galvaniserade stålkabeln (m)	20	30

1. Allmänna varningar

1. Innan användning av denna utrustning, är det viktigt att användaren läser och förstår informationen i handboken från TRACTEL SAS, för att säkerställa en säker och effektiv användning av utrustningen. Bruksanvisningen ska förvaras tillgängligt för alla användare. Extra exemplar kan tillhandahållas på begäran.
2. Det är mycket viktigt att alla användare får utbildning i hur denna säkerhetsutrustning ska användas innan

de börjar använda den. Kontrollera att all associerad utrustning är i gott skick och se till att det finns fritt utrymme under operatören om han eller hon faller.

3. Denna utrustning ska endast användas av en enda utbildad och kompetent operatör, eller av en operatör som övervakas av en utbildad och kompetent användare.
4. Om denna utrustning inte verkar vara i gott skick, måste all utrustning kontrolleras av TRACTEL® SAS eller av en kvalificerad och kompetent tekniker som måste tillhandahålla skriftligt intyg för fortsatt användning av systemet. Det är obligatoriskt att du genomför en visuell kontroll före varje användning.
5. Utrustningen ska inte modifieras och ingenting får läggas till i utrustningen utan föregående skriftligt godkännande från TRACTEL® SAS. Utrustningen skall transporteras och förvaras i sin originalförpackning.
6. Om en periodisk inspektion inte har utförts på utrustningen under de senaste 12 månaderna eller tidigare i enlighet med tillämplig lagstiftning och regelverk i användningslandet, får utrustningen inte användas. Den får bara användas igen efter en ny regelbunden översyn utförd av en behörig och kompetent tekniker som skriftligen ska godkänna dess användning. Om dessa granskningar och godkännanden inte har genomförts ska utrustningen anses olämplig för användning och kasseras.
7. Utrustningens tillåtna maxlast är 150 kg.
8. Om operatörens vikt, plus vikten av dennes utrustning och verktyg är mellan 100 kg och 150 kg, ska du se till att denna totala vikt (operatör + utrustning + verktyg) inte överstiger gränsen för arbetsbelastning för varje enskild komponent i fallskyddssystemet.
9. Utrustningen lämpar sig för användning på en arbetsplats utomhus och för ett temperaturintervall mellan -35°C och +60 °C. Undvik kontakt med vassa kanter, skrovliga ytor och kemiska produkter.
10. Du måste följa tillämplig arbetslagstiftning om du låter en anställd eller liknande använda den här utrustningen.
11. Operatören skall vara i god fysisk och psykisk form vid användning av utrustningen. Vid tveksamhet ska du kontakta husläkare eller företagsläkare. Gravida kvinnor ska inte använda utrustningen.
12. Utrustningen får inte användas utöver de gränser som anges i anvisningen eller i en annan situation än den avsedda för utrustningen: se "4. Funktioner och beskrivning".
13. Det rekommenderas att tilldela denna utrustning till varje operatör personligen, särskilt om operatören är en medarbetare.

14. Före användning av EN 363-klassad fallskyddsutrustning med automatisk retur skall användarna säkerställa att alla komponenter är i gott skick: säkerhetssystem och låsning. När den konfigureras är det viktigt att se till att säkerhetsfunktionerna inte har försämrats på något sätt.
15. När ett fallskyddssystem används är det av yttersta vikt att före varje användning kontrollera att det finns fritt utrymme under operatören på arbetsplatsen, så att det inte finns någon risk för att operatören slår i marken eller träffar något hinder om denne faller (innan fallskyddssystemet dämpar fallet).
16. Endast en säkerhetssele får användas för att fänga upp kroppen i ett fallskyddssystem.
17. Det är ytterst viktigt för operatörens säkerhet att fallskyddssystemet eller förankringspunkten sitter rätt och att arbetet utförs på ett sätt som minimerar fallrisken och arbetshöjden från den plats där fallet kan komma att inträffa.
18. För operatörens säkerhet, i de fall produkten säljs vidare utanför det land där användning i första hand avses, ska återförsäljaren tillhandahålla: en bruksanvisning, anvisningar för underhåll och regelbundna inspektioner samt reparationsanvisningar på språket i det land produkten ska användas.
19. Säkerställ att en räddningsplan är upprättad och finns redo att utföras.



OBS!

Kontakta TRACTEL® SAS för alla särskilda tillämpningar.

2. Definitioner och symboler

2.1. Definitioner

"Användare": Person eller avdelning ansvarig för hantering och säker användning av produkten såsom beskrivs i manualen.

"Tekniker": Kvalificerad person som har i uppdrag att utföra underhållsarbete som beskrivs i och auktoriseras i handboken. Teknikern ska vara kunnig och bekant med utrustningen.

"Operatör": Person som använder och sköter produkten i enlighet med avsett bruk.

"PPE": Personlig skyddsutrustning som skyddar vid fall från höjder.

"Kopplingsdon": Ett kopplingselement mellan komponenterna i ett fallskyddssystem. Det överensstämmer med standarden EN 362.

"Fallskyddssele": Gripanordning för människokroppen avsedd att stoppa fall. Den består av remmar och spännen. Den innefattar A-märkta fallskyddsfästpunkter om de kan användas för sig, eller märkta med A/2 om de ska användas tillsammans med en A/2-punkt. Det överensstämmer med standarden EN 361.

"Gräns för arbetsbelastning": Maximal vikt för den operatör som ska räddas, som bär korrekt arbetskläder och rätt PPE, verktyg och de delar som krävs för att utföra den planerade arbetsuppgiften.

"Fallskyddssystem": En uppsättning produkter som består av följande:

- Fallskyddssele eller sittsele eller sele med räddningsband.
- Lyftanordning för räddning.
- Förankringspunkt som tillhandahålls av en Tracode™ tillverkad av Tractel®.
- Förbindningselement.

"Fallskyddssystemskomponent": Allmän term som definierar något av följande element:

- Fallskyddssele eller sittsele eller sele med räddningsband.
- Lyftanordning för räddning.
- Förankringspunkt som tillhandahålls av en Tracode™ tillverkad av Tractel®.
- Förbindningselement.

"Lyftanordning för räddning, EN 1496 klass A": komponent av personlig skyddsutrustning för räddningsändamål med vilken personen kan vinscha eller lyfta sig själv från en lägre till en högre plats, eller lyftas av en räddare.

"Räddningsutrustning": individuellt system för skydd mot fall där en operatör kan självrädda eller rädda andra individer, så att alla former av fall förhindras.

2.2. Symboler



FARA: betecknar instruktioner avsedda att förhindra personskadorna på operatör, i synnerhet sådana med dödlig utgång, svåra eller lätta skador samt miljöskador.



VIKTIGT: Placerad i början av raden, betecknar detta instruktioner avsedda att förhindra ett fel på utrustningen eller en skada, men utan att direkt äventyra operatörens eller andra personers liv eller hälsa och/eller som inte sannolikt orsakar miljöskador.



OBS! Placerad i början av raden, betecknar detta instruktioner avsedda att säkerställa effektiviteten och lämpligheten av en installation, för hur den används eller för underhållsarbete.

3. Användarvillkor

Kontrollera före användning



VIKTIGT: Användningen av caRol™-vinschen, monterad via dess benkonsoler till en trapcode från Tractel® trapcode™, har testats med framgång. Kontakta Tractel® för alla andra former av installation

- Kontrollera att benkonsolerna tillhörande caRol™-vinschen är ordentligt fastsatta på ett av Tractel®-trapcodens™ ben (se § 4.2.1)
- Kontrollera kabelns skick över hela dess längd: den får inte uppvisa några tecken på knutar, nötning, korrosion eller brutna trådar.
- Kontrollera skicket på caRol™-vinschens metallhölje (inga deformationer, skruvar fastsatta etc.).
- Kontrollera att caRol™-vinschen är i driftsdugligt skick genom att vrida veven i riktning "höja" och därefter i riktning "sänka".
- Kontrollera kopplingsanordningens skick och funktion: inga synliga skador eller korrosion ska finnas, och att det är möjligt att öppna, stänga och låsa den.
- Kontrollera skick på tillhörande utrustning: Förankringspunkt tillhandahållen av Tractel® trapcode™, sele och kopplingsanordningar. Se manualen för varje specifik produkt.
- Kontrollera hela lyftanordningen för räddning.

4. Funktioner och beskrivning

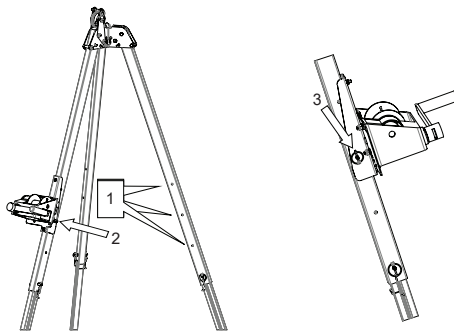
4.1. CaRol™ 20 m / 30 m

CaRol™-vinschen är en lyftanordning för räddning (endast lyft) (EN 1496 klass A): den gör det möjligt för räddare att undsätta en operatör genom att höja honom eller henne till en säker plats. Den används i en lutande position när den är säkrad via dess benkonsol på en trapcode.

- CaRol™-vinschen är utrustad med en Tractel® galvaniserad stålkabel, 20 eller 30 m lång.
- CaRol™-vinschen används i kombination med en specialdesignad benkonsol till vilken den är säkrad till ett av benen på Tractel® trapcode™ vars minsta lastbärande kapacitet är 15 kN.

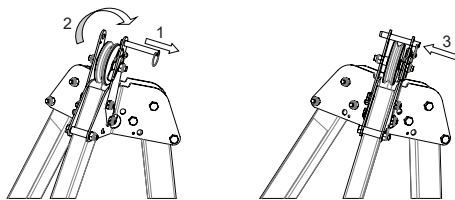
4.2.1 Installera caRol™-vinschen på Tractel® Trapcode™

1. - Ta bort låsstiftet och positionera caRol™-vinschen i nödvändig höjd på trapcoden™ (det finns 3 möjliga positioner). Se bruksanvisningen som gäller för Tractel® trapcode™ för denna procedur.
2. - Skjut låsstiftet genom hålen i benkonsolen och in i Tractel® trapcode™.
3. - Säkra låsstiftet med hjälp av fjäderklämman



4.2.2 Installera vajer kring den vajerguidade remskivan på Tractel® trapcode™.

1. - Ta bort vajerguidestiftet
2. - Dra kabeln från caRol™-vinschen över remskivan och därefter genom mitten på Trapcode™-huvudet.
3. - Återjustera det vajerguidade stiftet så att du förhindrar att vajer hoppar av remskivan .



5. Driftsprincip

5.1. Räddningsoperation utförd med hjälp av caRol™-vinschen



En andra person måste finnas tillgänglig i närheten för att utföra en räddningsoperation om det behövs.

De räddningsåtgärder som krävs måste studeras och utvärderas i förväg för att fastställa de mänskliga resurser och den utrustning som är nödvändig för att rädda en operatör i behov av räddning på mindre än 15 minuter. Om det tar längre tid än så kan det innebära fara för operatören som behöver räddas.

För räddningsoperationer rekommenderas användning av en bekväm sele, eller en sele utrustad med EN 1497-räddningsremmar. Det är dock möjligt att använda

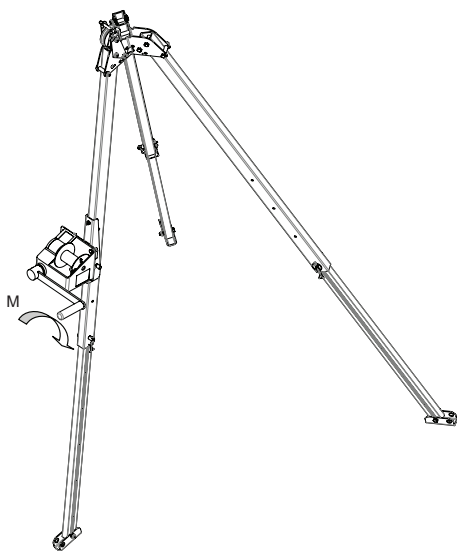
en fallskyddssele, om denna typ av sele bärs av den operatör som är i behov av räddning.

Under hela den tid då räddningsoperationen pågår måste direkt eller indirekt visuell kontakt, eller annan form av kommunikation, upprätthållas mellan räddaren och de övriga personer som är involverade i räddningsaktionen.



VIKTIGT: Under räddningsoperationer får vinschsystemet enbart användas i räddningssyfte, och får ej användas för att lyfta laster.

För att utföra räddningsoperationen vrider du veven i den riktning som indikeras av pilen M för att hämta operatören genom att höja eller sänka honom eller henne.



FARA

Lastlyftningsoperationer med hjälp av caRoL™-vinschen:

Alla lastlyftningsoperationer med hjälp av caRoL™-vinschen är strängeligen förbjudna om de utförs samtidigt som en räddningsoperation eller samtidigt som arbete med linätkomst.

Vid utförande av räddningsoperationer, får vinschsystemet enbart användas i detta syfte.

6. Förbjuden användning

Följande är strängt förbjudet:

- Installera eller använda en caRoL™-vinsch utan att vara auktoriserad, utbildad och med nödvändig kompetens för att använda enheten eller, att någon som inte uppfyller dessa krav använder den utan handledning av en operatör som är auktoriserad, utbildad och har nödvändig kompetens för att använda enheten.
- Använda en caRoL™-vinsch om någon av markeringarna inte är läsbara.
- Installera eller använda en caRoL™-vinsch som inte har genomgått de preliminära kontrollerna.
- Använda en caRoL™-vinsch som ej har varit föremål för periodisk inspektion under de senaste 12 månaderna eller tidigare i enlighet med tillämplig lagstiftning och regelverk i användningslandet av en tekniker som skriftligen auktoriserat dess fortsatta användning.
- Installera en caRoL™-vinsch på en Tractel® tracpode™ där den regelbundna inspektionen inte har utförts under de senaste 12 månaderna av en tekniker som skriftligen auktoriserat dess fortsatta användning.
- Använda en caRoL™-vinsch för något annat ändamål än räddningslyft av personer.
- Säkra en caRoL™-vinsch på andra sätt än med den benkonsole som är speciellt utformad för tracpode™.
- Använda en caRoL™-vinsch på ett sätt som står i motsats till informationen som ges i avsnitt "14. Livslängd".
- Använda en caRoL™-vinsch för att rädda fler än en (1) operatör åt gången.
- Använda en caRoL™-vinsch för att rädda en operatör vars totala vikt, inklusive utrustning och verktyg, överstiger 150 kg.
- Använda en caRoL™-vinsch med en belastning på mellan 100 kg och 150 kg (total vikt på den operatör som behöver räddas samt hans/hennes utrustning och verktyg) om någon av komponenterna i räddningssystemet har en lägre arbetsbelastning.
- Använda en caRoL™-vinsch i en miljö som innebär stor risk för rost eller explosioner.
- Använda en caRoL™-vinsch utanför temperaturintervall som anges i den här manualen.
- Använda en caRoL™-vinsch om det finns ett hinder i räddningsbanan.
- Använda en caRoL™-vinsch om operatören inte är i gott fysiskt skick.

- Använda en caRol™-vinsch om en tillhörande komponents säkerhetsfunktion påverkas eller störs av en annan komponents säkerhetsfunktion.
- Använda en caRol™-vinsch för att säkra eller lyfta utrustning om tracpod™ används som:
 - en förankringspunkt för fallskyddssystem
 - ett fallskyddssystem
 - ett förankringssystem för åtkomst med arbetslina
- Använda kabeln i en caRol™-vinsch som upphängningshjälp.
- Utföra reparationer eller underhållsarbete på en caRol™-vinsch utan utbildning och skriftlig kvalificering från TRACTEL®
- Använda en caRol™-vinsch om den inte är fullständig, om den redan har nedmonterats och monterats igen eller om komponenterna har bytts ut av en person som inte är auktoriserad av TRACTEL®.

7. Installation

- CaRol™-vinschen måste monteras till ett av tracpodens™ tre ben.
- Tracpoden™ måste stå på stabilt underlag: se § med titel "Installation" i manualen för Tractel® tracpode™.

8. Komponenter och materialämnena

- Kabel: galvaniserat stål
- M47-kopplingsdon: galvaniserat stål
- CaRol™-vinsch: målat stål
- CaRol™-vinschens benkonsol: målat stål

9. Kompletterande utrustning

I enlighet med standard EN 363, utgör caRol™-vinschen en del i ett fallskyddssystem som måste bestå av:

- En förankringspunkt (EN 795).
- En kopplingsanordning för ändpunkt (EN 362).
- En lyftanordning för räddning (EN 1496)
- En kopplingsanordning (EN 362).
- En fallskyddssele (EN 361).

Alla andra föremål för kompletterande utrustning är förbjudna.

10. Underhåll och förvaring

- Om en caRol™-vinsch är smutsig ska den rengöras med rent, kallt vatten. Om så är nödvändigt ska du använda ett tvättmedel för ömtåligt material och en syntetisk borste.

- Om en caRol™-vinsch blir blöt under användning eller på grund av rengöring, ska du låta den torka på ett naturligt sätt, utan att utsätta den för direkt solljus och värmekällor.
- Före transport och förvaring ska du förpacka utrustningen i skyddande material för att skydda mot fukt och skada (direkta värmekällor, kemikalier, UV-ljus, mm.).
- Om produkten är nedsmutsad ska du kontakta Tractel® eller en av deras återförsäljare.

11. Utrustningens överensstämmelse

TRACTEL® SAS RD 619 – Saint-Hilaire-sous-Romilly – F-10102 Romilly-sur-Seine France förklarar härmed att den säkerhetsutrustning som beskrivs i denna bruksanvisning är identisk med den utrustning som testades och ansågs uppfylla standard EN 1496(2017) by APAVE SUDEUROPE SAS – CS 60193 – 13322 Marseille – France

12. Märkning

Etiketten på varje caRol™-vinsch indikerar:

- Handelsnamn: TRACTEL®.
- Produktnamn
- Referensstandard och tillämpningsår
- Produktreferens
- Tillverkningsdatum
- Serienummer
- En symbol som anger att bruksanvisningen måste läsas igenom före användning av utrustningen
- Kabelns diameter
- Gräns för arbetsbelastning
- Maximal operativ längd

13. Regelbunden översyn och reparation

En regelbunden årlig översyn är obligatorisk, men beroende på hur ofta den används, på miljöförhållanden och företagets övriga föreskrifter eller det land den används i, kan regelbundna kontroller förekomma oftare.

Regelbundna översyner ska utföras av en behörig och kompetent tekniker i enlighet med tillverkarens vedertagna undersökningsförfaranden som står i filen "Instruktioner för kontroll av personliga skyddsutrustningar från TRACTEL®".

Verifiering av läsbarhet för produktens märkning ska ingå i den regelbundna översynen.

Efter avslutad regelbunden inspektion ska den behöriga och kompetenta teknikern som utförde inspektionen godkänna produkten skriftligen för fortsatt användning. Denna återtagning i drift av produkten ska registreras på det kontrollblad som finns i mitten av denna bruksanvisning. Detta kontrollblad ska förvaras under produktens hela livslängd tills den slutligen anses inte uppfylla sitt ändamål.

14. Livslängd

Personskyddsutrustningar i textil från TRACTEL® såsom selar, vajrar, linor och stötdämpare, mekaniska personskyddsutrustningar från TRACTEL® såsom stopcable™ och stopfor™ fallskyddsanordningar, blocfor™ fallskydd med automatisk retur, livlinor och mekanisk utrustning för räddningslyft från TRACTEL®, såsom ascaRoL™-vinschar, får bara användas under förutsättning att de från tillverkningsdatum är föremål för:

- normalt bruk enligt rekommendationerna för användning som ges i denna bruksanvisning.
- regelbunden översyn som ska utföras minst en gång om året av en behörig och kompetent tekniker. Efter en regelbunden inspektion ska ett skriftligt intyg författas om att PPE-utrustningen kan tas i drift.
- korrekt förvaring och transport i enlighet med vad som anges i denna manual.

15. Kassering

Vid kassering av produkten, måste de olika komponenterna återvinnas genom att källsortera metaller och syntetmaterial. Dessa material ska lämnas in för återvinning hos olika specialiserade organ. Vid kassering ska isärtagning och källsortering av beståndsdelarna utföras av utbildad personal.

2 - Använda caRoL™-vinschen för lastlyft i enlighet med direktiv 2006/42/EG:

Lastlyftningsoperationer med hjälp av caRoL™-vinschen:



FARA: CaRoL™-vinschen får ej användas som en anordning för lyft av laster när tracode™ används:

- Som en förankringspunkt för fallskyddssystem
- Som ett fallskyddssystem
- Som ett förankringssystem för en person som arbetar medan denne är upphissad med en lina

Gränsen för arbetsbelastning är 250 kg när caRoL™-vinschen monteras på ett av benen på tracode™

För att utföra ett lyft ska lasten fästas till kopplingsanordningen vid kabelns ände

Under hela den period lyftet pågår måste operatören se till att ingen annan operatör befinner sig under lasten medan den flyttas

För att utföra lastlyftet vrider du veven i den riktning som indikeras av pilen M för att höja lasten, och i motsatt riktning för att sänka lasten.

3 - Använda caRoL™-vinschen för åtkomst med arbetslina i enlighet med direktiv 2001/45/EG:

Åtkomst med arbetslina, utförd med caRoL™-vinschen:



FARA: CaRoL™-vinschen får ej användas som en anordning för lyft av laster när tracode™ används:

- Som en förankringspunkt för fallskyddssystem
- Som ett fallskyddssystem
- Som ett förankringssystem för åtkomst med arbetslina

Åtkomst med arbetslina som möjliggörs med caRoL™-vinschen:

CaRoL™-vinschen kan användas som ett linåtkomst- och positioneringssystem i enlighet med EU-parlamentets direktiv 2001/45/EG av den 27 juni 2001.

Villkor att uppfylla vid implementering av linåtkomst- och positioneringstekniker.

Systemet måste minst bestå av en åtkomstlina (eller kabel) (t.e.x sådan som finns i en caRoL™-räddningsvinsch, en nedsänkingsanordning, en upphissningsanordning) som kan tillgodose möjlighet till åtkomst, höjning, eller sänkning samt stöd, och en säkerhetslina (eller kabel) utrustad med ett fallskyddssystem (ett fallskydd på ett flexibelt beläggingsstöd såsom Stopfor™ eller Blocfor™ fallskydd med automatisk retur). Dessa två linor (kablar) måste säkras oberoende av varandra på två förankringspunkter enligt standard EN795 eller till en förankringspunkt vars lastbärande kapacitet har utvärderats och bedömts vara adekvata av arbetsgivaren eller av en kompetent person.

Operatörer som använder linåtkomst- och positioneringstekniker måste ha på sig och använda en lämplig fallskyddssele som måste fästas i både säkerhetslinan och åtkomstlinan.



TÄRKEÄÄ

**CaRol™-vinssiä voidaan käyttää:
pelastusnostojärjestelmän (vain nostamiseen)
(EN 1496);
tai
kuormannostojärjestelmänä direktiivin
2006/42/EY mukaisesti;
tai
köyden kiinnitys- ja asemointijärjestelmänä
direktiivin 2001/45/EY mukaisesti.
CaRol™-vinssiä saa käyttää samanaikaisesti
vain yhteen käyttötarkoitukseen.**

1 CaRol™-vinssin käyttö pelastusnostimena (EN 1496):

Tekniset tiedot

CaRol™-vinssin käyttö pelastusoperaatiossa:

VAARA: CaRol™-vinssiä ei voi käyttää kuormannostolaitteena, kun siihen kiinnitettyä Tracpode™-kolmijalkaa käytetään samanaikaisesti

- putoamisen eston kiinnityspisteenä;
- pelastusjärjestelmän osana;
- tai köyden kiinnitysjärjestelmänä.

Standardi: EN 1496 luokka A

Malli	CaRol™ 20 m	CaRol™ 30 m
Paino (kg)	9,34	16
Mitat P x L x S (mm)	400 x 275 x 100	600 x 320 x 130
Galvanoidusta teräksestä valmistetun kaapelikokoonpanon pituus (Ø 5 mm) (m)	20	30

1. Yleinen varoitus

1. On tärkeää, että käyttäjä lukee ja ymmärtää TRACTEL SAS -yhtiön toimittamien käyttöohjeiden sisällön ennen laitteen käyttöä. Näin voidaan varmistaa laitteen turvallinen ja tehokas käyttö. Tämä käyttöohje tulee säilyttää kaikkien käyttäjien saatavilla. Oppaasta voi pyytää lisäkappaleita.
2. Ennen tämän turvalaitteen käyttöä käyttäjien on osallistuttava sitä koskevaan koulutukseen. Tarkista kaikkien käytettävien laitteiden kunto ja varmista, että käyttäjän alla on riittävästi tilaa putoamisen varalta.

3. Laitetta saa käyttää vain yksittäinen pätevä ja koulutettu käyttäjä tai pätevä ja koulutetun henkilön valvonnassa.
4. Jos laite ei ole silminnähdessä hyvässä käyttökunnossa, laitteen kokoonpano on annettava TRACTEL® SAS -yhtiön tai pätevän teknikon tarkastettavaksi, jotta järjestelmän käytön jatkamiselle saadaan kirjallinen käyttöluupa. Laite täytyy tarkastaa silmämääräisesti aina ennen käyttöä.
5. Laitteeseen ei saa tehdä mitään muutoksia tai lisäyksiä ilman TRACTEL® SAS -yhtiön kirjallista etukäteishyväksyntää. Varusteet tulee kuljettaa ja varastoida alkuperäispakkauksessaan.
6. Laitetta ei saa käyttää, jos sille ei ole tehty määräaikaistarkastusta 12 kuukauteen (tai lyhyempään aikaan, mikäli käyttömaan paikallinen laki tai käytännöt niin edellyttävät). Laitetta voi käyttää uudestaan valtuutetun ja pätevän asentajan tekemän määräaikaistarkastuksen ja asentajan myöntämän kirjallisen käyttöluvan myöntämisen jälkeen. Jos nämä tarkastukset ja valtuutukset puuttuvat, laite ei ole sopiva käytettäväksi ja se tulee tuhoata.
7. Tämän laitteen kuormaraja on 150 kg.
8. Jos käyttäjän oma massa, johon lisätään varusteiden ja työkalujen massa, on välillä 100 kg – 150 kg, on ehdottomasti tarkistettava, että kokonaisuudessa (käyttäjä + varusteet + työkalut) ei ylitä minkään putoamissuojajärjestelmän osan maksimiyökuormitusta.
9. Laitteita voidaan käyttää ulkotyömaalla ja lämpötilassa -35°C ... +60 °C. Vältä kosketusta terävien kulmien, hankaavien pintojen ja kemiallisten aineiden kanssa.
10. Jos sinun tulee luovuttaa laitteet työntekijän tai vastaavan henkilön käyttöön, noudata sovellettavia sääntöjä.
11. Käyttäjän tulee olla täydessä fyysisessä ja psyykkisessä kunnossa käyttäessään tätä laitteistoa. Jos olet epävarma, käänny lääkärin tai työterveyslääkärin puoleen. Laitteita ei saa käyttää raskaana ollessa.
12. Laitteita ei saa käyttää yli sallittujen rajojen eikä tilanteissa, joita varten niitä ei ole suunniteltu: katso kohta "4. Toiminta ja kuvaus."
13. On suositeltavaa määrätä laite jokaiselle käyttäjälle henkilökohtaisesti, etenkin jos käyttäjä on työntekijä.
14. Käyttäjän tulee varmistaa ennen EN 363:n mukaisen putoamissuojajärjestelmän käyttöä, että turvajärjestelmä ja lukitus ovat hyvässä kunnossa. Kun laite määritetään, on erittäin tärkeää varmistaa että turvallisuustoiminnot eivät ole heikentyneet millään tavalla.

15. Kun putoamissuojainjärjestelmää käytetään, on erittäin tärkeää tarkistaa ennen jokaista käyttöä, että käyttäjän alla on riittävästi tilaa, jotta käyttäjän mahdollisen putoamisen aikana ei ole olemassa riskiä, että käyttäjä osuu maahan tai esteeseen (ennen kuin putoamissuojainjärjestelmä pysäyttää putoamisen).
16. Putoamissuojavaljaat ovat ainoa vartalon kiinnitysvaruste, jota putoamissuojainjärjestelmässä saa käyttää.
17. Käyttäjän turvallisuuden kannalta on välttämätöntä, että laitteet tai kiinnityspiste on asennettu oikein ja työ tehdään siten, että putoamisvaara ja työskentelykorkeus ovat mahdollisimman pieniä.
18. Jos tuote myydään ensisijaisen kohdemaan ulkopuolelle, jälleenmyyjän on toimitettava seuraavat seikat käyttäjän turvallisuuden takaamiseksi: käyttöohjeet sekä ohjeet hoitoa, säännöllisiä tarkistuksia ja korjauksia varten. Ohjeiden on oltava tuotteen käyttömaan kielellä.
19. Varmista ennen laitteen käyttöä, että pelastussuunnitelma on laadittu ja otettu käyttöön.



HUOMAA

Kaikissa erikoiskäyttötapauksissa on otettava yhteys TRACTEL® SAS -yhtiöön.

2. Määritelmiä ja kuvakkeita

2.1. Määritelmiä

"Pääkäyttäjät": Henkilö tai osasto, joka on vastuussa tässä oppaassa kuvatus tuotteen hoidosta ja turvallisuudesta käytöstä.

"Teknikko": Pätevä henkilö, jonka tehtävänä on suorittaa käyttöohjeessa kuvatut ja sallitut kunnossapitotoimenpiteet. Teknikolla on pätevyys ja hän tuntee laitteen.

"Käyttäjät": Henkilö, joka voi käyttää tuotetta sen käyttötarkoituksen mukaan.

"EPI/henkilösuojalaite": Henkilökohtainen suojavaruste, joka estää putoamisen.

"Liitin": Putoamissuojainjärjestelmän osien välinen liitoselementti. Standardin EN 362 mukainen.

"Putoamissuojavaljaat": Vartalovaljaat, jotka on tarkoitettu pysäyttämään putoaminen. Koostuu hihnoista ja soljista. Niissä on putoamisen eston kiinnityspisteet, jotka on merkitty merkillä A, jos niitä voi käyttää yksin, ja A/2, jos niitä tulee käyttää yhdessä toisen A/2-pisteen kanssa. Standardin EN 361 mukainen.

"Työkuormitusrajoitus": Käyttäjän enimmäismassa asianmukaisessa työasussa sisältäen suoritettavan työtehtävän edellyttämien henkilösuojalaitteiden, työkalujen ja osien painon.

"Pelastusjärjestelmä": Tuotesarja, joka sisältää seuraavat osat:

- Putoamisenestovaljaat, istumavaljaat tai pelastushihnalla varustetut valjaat.
- Pelastusnostojärjestelmä.
- Kiinnityspisteenä Tractel® Tracpode™.
- Liitoselementti.

"Pelastusjärjestelmän osa": Yleinen termi, joka viittaa johonkin seuraavista osista:

- Putoamisenestovaljaat, istumavaljaat tai pelastushihnalla varustetut valjaat.
- Pelastusnostojärjestelmä.
- Kiinnityspisteenä Tractel® Tracpode™.
- Liitoselementti.

"EN 1496 luokan B mukainen pelastusnostolaite": osa tai henkilökohtainen suojavaruste, jonka avulla henkilö voidaan vinsata tai siirtää alas- tai ylöspäin itsenäisesti tai pelastajan toimesta.

"Pelastuslaite": putoamiselta suojaava järjestelmä, jolla käyttäjä voi estää itsensä tai muiden henkilöiden putoamisen.

2.2. Kuvakkeet



VAARA: Viittaa ohjeisiin, joita on annettu henkilövahinkojen (mukaan lukien kuolema ja vakavat tai lievät vammat) sekä ympäristövahinkojen välttämiseksi.



TÄRKEÄÄ: Rivin alussa merkintä viittaa ohjeisiin, joita noudattamalla voidaan välttää laitevika tai sellainen vaurio, joka ei suoranaisesti vaaranna käyttäjän tai muiden henkilöiden henkeä tai terveyttä ja/tai joka ei aiheuta ympäristövahinkoja.



HUOMAA: Rivin alussa merkintä viittaa ohjeisiin, joiden tarkoitus on varmistaa asennuksen tehokkuus tai sopivuus tai käytön tai huollon toiminnot.

3. Käyttöolosuhteet

Ennen käyttöä tehtävät tarkastukset



TÄRKEÄÄ: Käyttötesti on tehty onnistuneesti CaRo™-vinsillä, joka on kiinnitetty Tractel® Tracpodeen™ jalkakiinnikkeellä. Jos olet aikeissa käyttää muunlaista kokoonpanoa, ota yhteys Tracteliin®

- Tarkista, että CaRol™-vinssin jalkakiinnike on kiinnitetty tiukasti Tractel® Tracpode™ -pelastuskolmijalkaan (ks. kohta § 4.2.1).
- Tarkista kaapelin kunto: siinä ei saa olla merkkejä taitoksista, kulumisesta tai katkenneista säikeistä.
- Tarkista CaRol™-vinssin metalliosien kunto (ei vääntymiä, ruuvit paikallaan jne.).
- Tarkista CaRol™-vinssin toiminta kääntämällä kelauslaitetta ensin nostosuuntaan ja sitten laskusuuntaan.
- Tarkista liittimen kunto ja toiminta: liittimissä ei saa olla silminnähtäviä vääntymiä, ja avaus-, sulkemis- ja lukitustoimintojen täytyy toimia.
- Tarkista kaikkien osien kunto: Tractel® Tracpode™ -kiinnityspiste, valjaat ja liittimet. Katso lisätietoja kunkin tuotteen omista käyttöohjeista.
- Tarkista koko pelastusnostojärjestelmän kunto.

4. Toiminta ja kuvaus

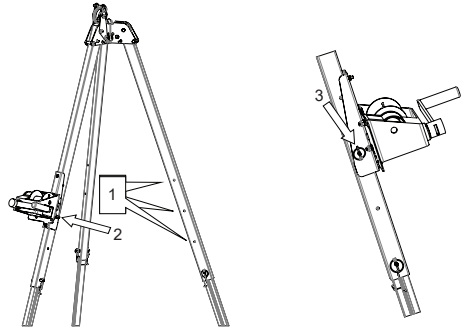
4.1. CaRol™ 20 m/30 m

CaRol™-vinssi on vain nostamiseen käytettävä pelastusnostolaite (EN 1496 luokka A), joka mahdollistaa käyttäjän nostamisen turvaan. Sitä voidaan käyttää kaltevassa asennossa, kun se on kiinnitetty Tracpode-kolmijalan jalkakiinnikkeeseen.

- CaRol™-vinssissä käytetään Tractel® galvanoituua teräskaapelia, jonka pituus on 20 tai 30 metriä.
- CaRol™-vinssiä käytetään erikoisvalmisteisella jalkakiinnikkeellä, jolla se kiinnitetään yhteen Tractel™ Tracpode™ -kolmijalan jaloista, jonka vähimmäiskantovoima on 15 kN.

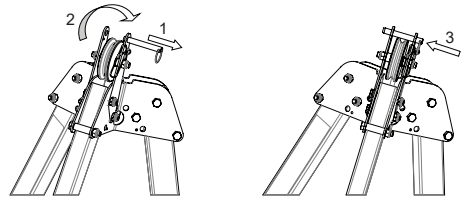
4.2.1 CaRol™-vinssin asentaminen Tractel® Tracpode™ -kolmijalkaan

1. - Poista lukitussokka ja aseta CaRol™-vinssi Tracpodeen™ halutulle korkeudelle (käytettävissä on kolme eri asetusta) (1). Katso Tractel® Tracpoden™ käyttöohjeista lisätietoja tästä toiminnosta.
2. - Paina lukitussokka jalkakiinnikkeen reikien ja Tractel® Tracpodessa™ olevan reiän lävitse.
3. - Kiinnitä lukitussokka jousipidikkeellä.



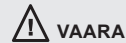
4.2.2 Kaapelin kiinnittäminen Tractel® Tracpoden™ väkipyörään.

1. - Poista kaapelin ohjaussokka.
2. - Kierrä CaRol™-vinssin kaapeli väkipyörän yli ja sitten suoraan alaspäin Tracpoden™ keskiosan läpi.
3. - Aseta kaapelin ohjausnasta paikalleen estääksesi kaapelin irtoaminen väkipyörästä.



5. Toimintaperiaate

5.1. CaRol™-vinssin käyttö pelastusoperaatioissa



Pelastusoperaatio edellyttää yhden varakäyttäjän läsnäoloa.

Tarvittaviin pelastustoimenpiteisiin täytyy tutustua etukäteen, minkä lisäksi täytyy määrittää tarvittava henkilöstömäärä ja laitteisto, joiden avulla henkilö voidaan pelastaa alle 15 minuutissa. Tätä pidempi aika vaarantaa pelastettavan henkilön turvallisuuden.

Pelastusoperaatioissa suositellaan käytettävän mukavuusvaljaita tai valjaita, joissa on EN 1497

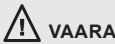
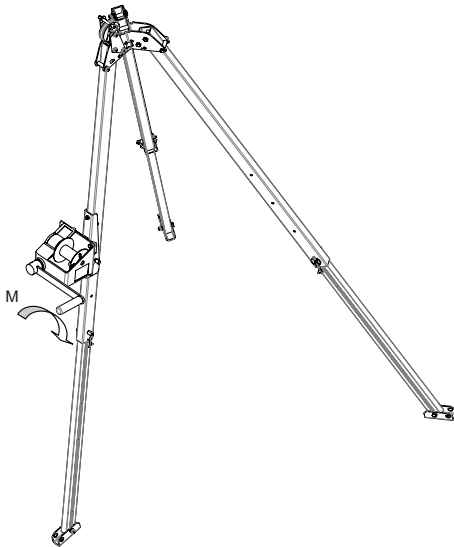
-pelastushihnat. Laitteen kanssa on myös mahdollista käyttää tarvittaessa putoamisenestovaljaita.

Pelastajalla ja muilla pelastukseen osallistuvilla tulee olla koko pelastusoperaation ajan suora näkö- tai muu viestintäyhteys.



TÄRKEÄÄ: Pelastusoperaatioiden aikana vinssijärjestelmää saa ainoastaan henkilöiden pelastamiseen; tällöin sitä ei saa käyttää kuormien nostamiseen.

Suorita pelastusnosto kääntämällä kelauslaitetta M-kirjaimella merkittyyn suuntaan, jolloin vaijerin kytketty käyttäjä nousee ylöspäin.



VAARA

CaRol™-vinssin käyttö kuormannostolaitteena:

Pelastukseen tai köyden kiinnitykseen käytettävää CaRol™-vinssiä ei saa käyttää samanaikaisesti kuorman nostamiseen.

Pelastusoperaation aikana vinssijärjestelmää saa käyttää ainoastaan pelastustoimiin.

6. Kielletyt käyttötavat

Seuraavat toimenpiteet ovat ehdottomasti kiellettyjä:

- CaRol™-pelastusvinssin asentaminen tai käyttäminen ilman valtuutusta, koulutusta tai vailla pätevyyttä käyttää laitetta tai, jos joku ei vastaa näitä vaatimuksia, valvomatta valtuutetun ja koulutetun henkilön toimesta jonka on tunnustettu olevan pätevä käyttämään laitetta.
- CaRol™-vinssin käyttö, jos jotain sen merkintää ei voi lukea.
- CaRol™-vinssin asentaminen tai käyttö, jos alustavia tarkistuksia ei ole suoritettu.
- CaRol™-vinssin käyttö, jos määräaikaistarkistusta ei ole suoritettu edellisten 12 kuukauden aikana sellaisen teknikon toimesta, joka on pätevä valtuuttamaan kolmijalan käytön jatkamisen kirjallisessa muodossa.
- CaRol™-vinssin kiinnittäminen Tractel® Tracpode™ -kolmijalkaan, jonka määräaikaistarkistusta ei ole suoritettu edellisten 12 kuukauden aikana sellaisen teknikon toimesta, joka on pätevä valtuuttamaan kolmijalan käytön jatkamisen kirjallisessa muodossa.
- CaRol™-vinssin käyttö muuhun kuin ihmisten pelastusnostamiseen.
- CaRol™-vinssin kiinnittäminen muuten kuin Tracpode™-kolmijalalle tarkoitetun jalkakiinnikkeen avulla.
- CaRol™-vinssin käyttö tavalla, joka on ristiriidassa tietojen kanssa, jotka on annettu osassa "14. Käyttöikä".
- CaRol™-vinssin käyttö useamman kuin yhden käyttäjän samanaikaiseen pelastamiseen.
- CaRol™-vinssin käyttö sellaisen henkilön toimesta, jonka kokonaisuudessa, mukaan lukien varusteet ja työkalut, ylittää 150 kg.
- CaRol™-vinssin käyttö 100 kg – 150 kg:n (käyttäjän, varusteiden ja työkalujen kokonaispaino) kuorman tukemiseen, jos millä tahansa putoamissuojajärjestelmän osalla on matalampi kuormaraja.
- CaRol™-vinssin käyttö vahvasti syövyttävässä tai räjähdysalttiissa ympäristössä.
- CaRol™-vinssin käyttö tässä käyttöohjeessa määritetyn lämpötila-alueen ulkopuolella.
- CaRol™-vinssin käyttö, jos pelastusreitillä on este.
- CaRol™-vinssin käyttö, jos käyttäjän fyysinen kunto ei ole riittävän hyvä.
- CaRol™-vinssin käyttö, jos jonkin laitteen osan turvallisuustoiminto vaikuttaa toisen osan turvallisuustoimintoon tai häiritsee sen käyttämistä.

- CaRoI™-vinssin käyttö varusteiden kiinnittämiseen tai nostamiseen silloin, kun Tracpode™-kolmijalkaa käytetään:
 - putoamisen eston kiinnityspisteenä;
 - pelastusjärjestelmän osana;
 - köyden kiinnitysjärjestelmänä.
- CaRoI™-vinssin kaapelin käyttö nostoraksina.
- Minkään CaRoI™-vinssin korjaus- tai huoltotoimen suorittaminen ilman koulutusta ja pätevyyttä, jonka TRACTEL® on toimittanut kirjallisessa muodossa.
- CaRoI™-vinssin käyttö, jos se on puutteellinen, jos se on purettu aiemmin ja koottu uudelleen tai jos osia on vaihdettu muun kuin TRACTELin® valtuuttaman henkilön toimesta.

7. Asentaminen

- CaRoI™-vinssi täytyy kiinnittää yhteen Tracpoden™ kolmesta jalasta.
- Tracpoden™ täytyy olla vakaalla alustalla: katso lisätietoja tästä Tractel® Tracpoden™ käyttöoppaan kohdasta "Asennus".

8. Osat ja materiaalit

- Kaapeli: galvanoitu teräs
- M47-liitin: galvanoitu teräs
- CaRoI™-vinssi: maalattu teräs
- CaRoI™-vinssin jalkakiinnike: maalattu teräs

9. Lisälaitteet

EN 363 -standardin mukaisesti CaRoI™-vinssi on yksi osa putoamissuojainjärjestelmää, jonka täytyy koostua seuraavista osista:

- Kiinnityspiste (EN 795).
- Päätyliitin (EN 362).
- Pelastusnostolaite (EN 1496)
- Liitin (EN 362).
- Putoamisenestovaljaat (EN 361).

Kaikkien muiden osien tai lisälaitteiden käyttö on kielletty.

10. Huolto ja varastointi

- Jos CaRoI™-vinssi on likainen, se voidaan pestä puhtaalla kylmällä vedellä, tarvittaessa miedolla tekstiilipesuaineella ja synteettisellä harjalla.
- Jos CaRoI™-vinssi kastuu käytön aikana tai pesun vuoksi, se tulee jättää kuivumaan pois suorasta auringonvalosta tai muista lämmönlähteistä.

- Kääri laite ennen kuljetusta tai varastointia pakkausmateriaaliin, joka pitää kosteuden poissa ja suojaa kaikenlaisilta vaurioilta (suorat lämmönlähteet, kemikaalit, UV-säteily jne.).
- Jos tuote on likaantunut, ota yhteyttä Tracteliin® tai jälleenmyyjään.

11. Varusteiden yhdenmukaisuus

TRACTEL® SAS RD 619 (rekisteröity osoite Saint-Hilaire-sous-Romilly, F-10102 Romilly-sur-Seine, Ranska) vakuuttaa, että näissä käyttöohjeissa kuvatut turvalaitteet vastaavat laitteistoa, jonka EN 1496:2017 -vaatimustenmukaisuuden on tarkistanut APAVE SUDEUROPE SAS (CS 60193, 13322 Marseille, Ranska).

12. Merkinnät

Jokaisessa CaRoI™-vinssissä oleva merkintä ilmaisee seuraavaa:

- Kaupallinen nimi: TRACTEL®.
- Tuotteen nimi.
- Viitenormi ja sovellusvuosi.
- Tuotteen viitenumero.
- Valmistusajankohta.
- Sarjanumero.
- Kuvake, joka ilmaisee, että käyttöohje tulee lukea ennen laitteen käyttöä.
- Kaapelin halkaisija.
- Maksimiyökuormitus.
- Enimmäiskäyttöpitäisyys.

13. Määräaikaistarkastus ja korjaus

Vuosittainen määräaikaistarkastus on pakollinen, mutta määräaikaistarkastukset voivat tapahtua useamminkin käyttötaajuudesta, ympäristön olosuhteista tai yhtiön tai käyttömaan määräyksistä riippuen.

Valtuutetun ja pätevän asentajan tulee tehdä määräaikaistarkastukset noudattaen valmistajan tarkastusmenettelytapoja, jotka valmistaja on määrittänyt tiedostossa "EPI TRACTEL®-henkilösuojien tarkastusohjeet".

Merkintöjen luettavuuden tarkastus on olennainen osa määräaikaistarkastuksia.

Määräaikaistarkastusten valmistuttua pätevän ja valtuutetun tekniikon tulee antaa kirjallinen ilmoitus tuotteen palauttamisesta käyttöön. Tuotteen uusi käyttöönotto täytyy rekisteröidä tarkastuskohtaan, joka sijaitsee tämän käyttöohjeen keskellä. Tämä

tarkastusmerkintä tulee säilyttää tuotteen koko käyttöajan, kunnes se todetaan käyttökelpottomaksi.

14. Käyttöikä

Tekstiilistä valmistetut TRACTEL® EPI-henkilösuojalaitteet, kuten valjaat, hihnat, köydet ja putoamisenvarmistimet, mekaaniset TRACTEL® EPI-henkilösuojalaitteet, kuten Stopcable™- ja Stopfor™-putoamisenestolaitteet ja itsestään kalautuvat blocfor™-putoamisenestolaitteet sekä TRACTEL®-turvavaijerit ja mekaaniset TRACTEL®-pelastusnostolaitteet (kuten CaRol™-vinssit) ovat valmiita käyttöön sillä ehdolla, että niiden valmistuspäivästä lähtien noudatetaan seuraavia ohjeita:

- Näissä käyttöohjeissa annettujen suositusten mukainen tavallinen käyttö.
- Valtuutetun ja pätevän asentajan vähintään kerran vuodessa tekemä määräaikaistarkastus. Määräaikaistarkastuksen valmistuttua laitteen käyttöön palauttamisesta täytyy antaa kirjallinen ilmoitus.
- Varastointi ja tallennus noudattaen tiukasti näissä käyttöohjeissa annettuja sääntöjä.

15. Hävittäminen

Kun tuote hävitetään, sen kaikki osat on kierrätettävä ja eroteltava metalliosien ja synteettisen materiaalien keräykseen. Nämä materiaalit voidaan kierrättää erityislaitoksissa. Tuotteen hävittämisen yhteydessä tehtävä osien purkaminen kuuluu sopivasti koulutetulle henkilölle.

2 CaRol™-vinssin käyttö kuormannostolaitteena direktiivin 2006/42/EY mukaisesti

CaRol™-vinssin käyttö kuormannostolaitteena:



VAARA: CaRol™-vinssiä ei voi käyttää kuormannostolaitteena, kun siihen kiinnitettyä Tracpode™-kolmijalkaa käytetään samanaikaisesti:

- putoamisen eston kiinnityspisteenä;
- pelastusjärjestelmän osana;
- kiinnityspisteenä henkilölle, joka työskentelee köydestä riippuen.

CaRol™-vinssin maksimiyökuormitus on 250 kg, kun se on kiinnitetty yhteen Tracpoden™ kolmesta jalasta.

Kiinnitä ensin kuorma kaapelin päässä olevaan liittimeen.

Käyttäjän täytyy varmistaa koko noston ajan, että siirrettävän kuorman alla ei ole ketään.

Ohjaa nostoa kääntämällä kelauslaitetta M-kiirjaimella merkittyyn suuntaan, jolloin vaijeriin kytketty kuorma nousee, tai kääntämällä laitetta vastakkaiseen suuntaan, jolloin kuorma laskee.

3 CaRol™-vinssin käyttö köyden kiinnityspisteenä direktiivin 2001/45/EY mukaisesti

Köyden kiinnittäminen CaRol™-vinssin avulla:



VAARA: CaRol™-vinssiä ei voi käyttää kuormannostolaitteena, kun siihen kiinnitettyä Tracpode™-kolmijalkaa käytetään samanaikaisesti:

- putoamisen eston kiinnityspisteenä;
- pelastusjärjestelmän osana;
- tai köyden kiinnitysjärjestelmänä.

Köyden kiinnittäminen CaRol™-vinssin avulla:

CaRol™-vinssiä voi käyttää köyden kiinnittämiseen ja asemointiin Euroopan parlamentin 27. kesäkuuta 2001 vahvistaman direktiivin 2001/45/EY mukaisesti.

Ehdot, jotka liittyvät laitteen käyttämiseen köyden kiinnitykseen ja asemointiin.

Järjestelmän täytyy koostua vähintään köydestä (tai kaapelista, jollainen toimitetaan esimerkiksi CaRol™-pelastusvinssin mukana), joka mahdollistaa työskentelyn ja jota voi nostaa tai laskea; tuesta ja turvaköydestä (tai -kaapelista), jossa on putoamissuojainjärjestelmä (joustavaan kiinnitysköyteen asennettu putoamissuojainlaite, kuten itsestään kalautuvat Stopfor™ tai Blocfor™-laitteet). Hihnat (tai kaapelit) täytyy kiinnittää erikseen joko kahteen kiinnityspisteeseen EN 795-standardin mukaisesti tai kiinnityspisteeseen, jonka vähimmäiskantovoiman on tarkastanut ja todennut riittäväksi työntekijä tai pätevä henkilö.

Köyden käyttäjien täytyy käyttää sopivia putoamisenestovaljaita, jotka kiinnitetään sekä turvettä työhinaan.



VIGTIGT

caRoL™ spillet kan bruges individuelt:

Som redningsløftesystem (kun løft) (EN 1496)
eller

Som lastløftende system, i overensstemmelse
med direktiv 2006/42/EF
eller

Som tovunderstøttet system og
positioneringssystem, i overensstemmelse
med direktiv 2001/45/EF.

Ved brug af caRoL™ spillet må anordningen
kun bruges til at udføre en af dens anvendelser
på et vilkårligt tidspunkt (dvs. der kan ikke
udføres endnu en anvendelse på samme tid)

1 – Brug af caRoL™ spillet til redningsløft (EN 1496):

Tekniske specifikationer

Redningsoperation udført ved hjælp af caRoL™ spillet:

! FARE: caRoL™ spillet kan ikke bruges som lastløfteanordning, når den trapcode™, det er monteret på, samtidig bruges:

- Som forandringspunkt til faldsikring
- Som redningssystem
- Som forankringssystem til tovunderstøttet arbejde

Standard: EN 1496 klasse A

Model	CaRoL™ 20 m	CaRoL™ 30 m
Vægt (kg)	9,34	16
Mål L x B x D (mm)	400x275x100	600x320x130
Længde af det Ø 5 mm galvaniserede stål kabel (m)	20	30

1. Generelle advarsler

1. Før brug af dette udstyr og for at sikre, at det bruges sikkert og effektivt, er det strengt nødvendigt, at brugeren læser og forstår oplysningerne i den manual, som TRACTEL SAS stiller til rådighed. Denne manual skal opbevares og være tilgængelig for alle brugere. Ekstra eksemplarer fremsendes på forespørgsel.
2. Inden brug af dette sikkerhedsudstyr er det strengt nødvendigt, at brugeren har fulgt et kursus i, hvordan det skal bruges. Kontrollér det tilknyttede udstyrs tilstand, og sørg for, at der er tilstrækkelig fri højde under operatøren i tilfælde af et fald.

3. Dette udstyr må kun bruges af én trænet og kompetent operatør eller af en operatør, der er under opsyn af en trænet og kompetent bruger.
4. Hvis udstyret ikke er i god stand, skal alt udstyret kontrolleres af TRACTEL® SAS eller af en kvalificeret og kompetent tekniker, som skriftligt skal give tilladelse til den fortsatte brug af systemet. Det er obligatorisk at foretage en visuel kontrol før hver brug.
5. Der bør ikke foretages nogen modifikationer af eller tilføjelser til udstyret uden forudgående skriftlig godkendelse fra TRACTEL® SAS. Udstyret skal transporteres og opbevares i dets oprindelige emballage.
6. Hvis der ikke er foretaget en periodisk kontrol af udstyret i løbet af de foregående 12 måneder eller derunder i henhold til lovgivningen eller reglerne i det land, hvor udstyret bruges, må udstyret ikke anvendes. Den må kun bruges igen, efter at en autoriseret og kompetent tekniker har foretaget en ny periodisk kontrol og givet skriftlig tilladelse til at bruge den. Hvis disse kontroller og godkendelser ikke har fundet sted eller foreligger, skal udstyret anses for uegnet til brug og skal destrueres.

7. Brugsbelastningsgrænsen for dette udstyr er 150 kg.
8. Hvis operatørens vægt plus vægten af udstyr og værktøj er mellem 100 kg og 150 kg, skal du sikre dig, at den samlede vægt (operatør + udstyr + værktøj) ikke overstiger brugsbelastningsgrænsen for hvert enkelt element i faldsikringssystemet.
9. Dette udstyr er egnet til brug på en udendørs arbejdsplads og for et temperaturområde på mellem -35 °C og +60 °C. Undgå enhver kontakt med skarpe kanter, skurende overflader og kemiske stoffer.

10. Hvis dette udstyr betros til en lønmodtager eller lignende, skal du overholde gældende bestemmelser i arbejdslovgivningen.
11. Operatøren skal være i god fysisk og psykisk form, når vedkommende bruger dette udstyr. Hvis der er tvivl om dette, skal du rådføre dig med hans/hendes læge eller med arbejdsmedicineren. Gravide kvinder må ikke bruge udstyret.
12. Udstyret må ikke bruges ud over dets grænser eller i nogen anden situation end, hvad det er designet til: se "4. Funktioner og beskrivelse".
13. Det tilrådes at tildele dette udstyr personligt til hver operatør, især hvis operatøren er en ansat.
14. Før brug af et EN 363 faldsikringssystem skal brugeren kontrollere, at alle komponenterne fungerer korrekt: sikkerhedssystem, låsesystem m.v. Ved installationen er det strengt nødvendigt at kontrollere, at sikkerhedsfunktionerne ikke på nogen måde er forringede.

DK

15. Ved brug af et faldsikringsystem er det før hver brug strengt nødvendigt at kontrollere den frie højde under operatøren på arbejdsstedet, således at der, hvis operatøren falder, ikke er nogen risiko for at ramme jorden eller nogen forhindring i hans eller hendes bane (inden faldsikringsystemet standser personens fald).
16. En faldsikringssele er det eneste beskyttelsesudstyr til kroppen, som er tilladt med et faldsikringsystem.
17. Det er afgørende for operatørens sikkerhed, at anordningen eller forankringspunktet er placeret korrekt, og at arbejdet udføres på en måde, der minimerer risikoen for fald og minimerer den højde, hvorfra der kan forekomme fald.
18. Hvis udstyret sælges uden for det land, som det primært er beregnet til at sælges i, skal forhandleren af manuskriptet til operatørens sikkerhed udlevere: en instruktionsmanual og instruktioner for vedligeholdelse, periodiske kontroller og reparationsarbejde, som alle skal være skrevet på sproget i det land, hvor udstyret skal bruges.
19. Sørg for, at der er blevet udarbejdet en redningsplan.

BEMÆRK

Du er velkommen til at kontakte Tractel® SAS vedrørende eventuelle særlige anvendelser.

2. Definitioner og piktogrammer

2.1. Definitioner

"Bruger": Person eller afdeling, som er ansvarlig for forvaltningen og brugssikkerheden af produktet beskrevet i nærværende manual.

"Tekniker": En kvalificeret person, der har til opgave at udføre de vedligeholdelseshandlinger, der er beskrevet og autoriseret i manualen. Teknikeren er kompetent og kender produktet.

"Operatør": En person, der bruger produktet på den måde, som det er beregnet til at bruges.

"PPE": Personligt beskyttelsesudstyr, der sørger for beskyttelse mod fald fra højder.

"Forbindelsesled": Et forbindelseselement mellem komponenter i et faldsikringsystem. Det lever op til EN 362.

"Faldsikringssele": En kropssele, der er designet til at standse fald. Den består af stropper og spænder. Den har tilkoblingspunkter til sikring mod fald mærket med A, hvis de kan bruges alene, eller mærket med A/2, hvis de skal bruges sammen med et andet A/2-punkt. Den lever op til EN 361.

"Brugsbelastningsgrænse": Den maksimale vægt for den operatør, som skal reddes, i passende arbejdstøj og udstyret med de korrekte PPE-værktøjer og de dele, der kræves for at udføre den planlagte opgave.

"Redningssystem": Et sæt produkter, der omfatter følgende:

- Faldsikringssele eller siddesele eller sele med redningsstrop.
- Redningsløftesystem.
- Forankringspunkt leveret af en Tracpode™ fremstillet af Tractel®.
- Forbindelseselement.

"Redningssystemkomponent": Generisk term, som definerer et af følgende elementer:

- Faldsikringssele eller siddesele eller sele med redningsstrop.
- Redningsløftesystem.
- Forankringspunkt leveret af en Tracpode™ fremstillet af Tractel®.
- Forbindelseselement.

"Redningsløfteanordning, EN 1496 klasse A": Komponent af personligt beskyttelsesudstyr til redningsformål, hvormed personer kan hejse eller løfte sig op fra et lavere til et højere sted, eller de kan løftes af en redder.

"Redningsudstyr": individuelt system til beskyttelse mod fald, hvormed en operatør kan redde sig selv eller andre enkeltpersoner, så et eventuelt fald forhindres.

2.2. Piktogrammer



FARE: Henviser til instruktioner, hvis formål er at undgå kvæstelser af operatører, herunder dødsfald, alvorlige eller lettere kvæstelser samt skader på miljøet.



VIGTIGT: Er placeret i begyndelsen af en linje. Henviser til instruktioner, hvis formål er at forhindre, at der finder et udstyrsvigt sted, eller at undgå, at udstyr bliver beskadiget i en sammenhæng, hvor operatørens eller andres liv eller helbred ikke er direkte i fare, og/eller hvor skader på miljøet er usandsynlige.



BEMÆRK: Er placeret i starten af en linje og henviser til instruktioner, hvis formål er at sikre, at en installation, brugen af den eller vedligeholdelseshandlinger er effektive eller egnede.

3. Brugsbetingelser

Kontroller før brug



VIGTIGT: Brugen af caRol™ spillet, monteret via benbeslaget på en Tractel® tracpode™, er blevet testet med succes. Kontakt Tractel® vedrørende enhver anden installation

- Kontrollér, at caRol™ spillets benbeslag er sikkert monteret på et af benene på Tractel® tracpode™ (se § 4.2.1)
- Kontrollér kablets tilstand over hele dets længde. Der må ikke være tegn på buler, afskrabninger, korrosion eller ødelagte tråde.
- Kontrollér tilstanden af metalstrukturen på caRol™ spillet (ingen deformation, skruer på plads osv.).
- Kontrollér caRol™ spillets funktion ved at dreje spoleanordningen i "hæve"-retningen og derefter i "sænke"-retningen.
- Kontrollér forbindelsesleddets tilstand og funktion: Der må ikke være korrosion eller synlig deformation, og det skal være muligt at åbne, lukke og låse det.
- Kontrollér de tilknyttede komponenters tilstand: Forankringspunkt leveret af Tractel® tracpode™, seler og forbindelsesled. Se de specifikke manualer for hvert enkelt produkt.
- Kontrollér det komplette redningsløftesystem.

4. Funktioner og beskrivelse

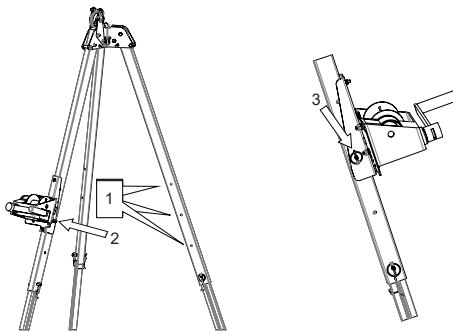
4.1. CaRol™ 20 m/30 m

caRol™ spillet er en redningsløfteanordning (kun løft) (EN 1496 klasse A); Det giver en redder mulighed for at redde en operatør ved at hæve ham eller hende op i sikkerhed. Det bruges i en inklineret position ved fastgørelse via benbeslaget til en Tracpode.

- caRol™ spillet monteres med et Tractel® galvaniseret stål kabel, 20 eller 30 m langt.
- caRol™ spillet anvendes med et specialdesignet benbeslag, hvormed det fastgøres til et af benene på Tractel® tracpode™, hvis minimumsbæreevne er 15 kN.

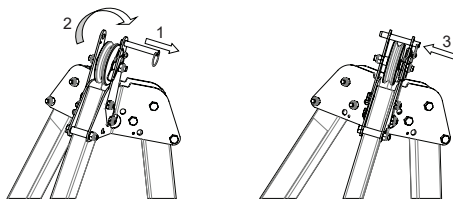
4.2.1 Installation af caRol™ spillet på Tractel® Tracpode™

1. - Fjern låsestiften, og placer derefter caRol™ spillet i den ønskede højde på tracpode™ (der er 3 mulige positioner). Se den specifikke manual til Tractel® tracpode™ vedrørende denne handling.
2. - Skub låsestiften gennem hullerne i benbeslaget og ind i Tractel® tracpode™.
3. - Fastgør låsestiften ved hjælp af den fjederbelastede klemme.



4.2.2 Montering af kablet omkring kabelstyreremskiven på Tractel® tracpode™.

1. - Fjern kabelstyrerstiften.
2. - Før kablet fra caRol™ spillet over remskiven og derefter ned gennem midten af hovedet på Tracpode™.
3. - Monter kabelstyrerstiften for at forhindre, at kablet hopper af remskiven.



5. Virkemåde

5.1. Redningsoperation udført ved hjælp af caRol™ spillet



Der skal være en ekstra person tilgængelig i nærheden for at udføre en redningsoperation, hvis det er nødvendigt.

De nødvendige redningsoperationer skal gennemgås og vurderes på forhånd for at bestemme de menneskelige ressourcer og det udstyr, der kræves for at redde en operatør på under 15 minutter. Ethvert længere tidsrum end dette vil bringe den operatør, der skal reddes, i fare.

Ved redningsoperationer anbefales brug af en komfortabel sele eller en sele udstyret med EN 1497 redningsstropser. Det er imidlertid muligt at bruge en

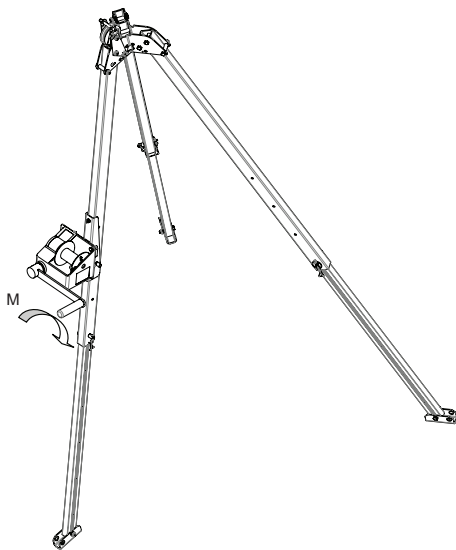
faldsikringssele, hvis denne type sele bæres af den operatør, der skal reddes.

Gennem hele redningsoperationens varighed skal der bevares direkte eller indirekte visuel kontakt, eller anden form for kommunikation, mellem redderen og de andre personer, der er involveret i redningen.



VIGTIGT: Under redningsoperationer må spilsystemet kun bruges til redningsformål og må ikke bruges til løft af belastninger.

For at udføre redningsløfteoperationen skal spoleanordningen drejes i den retning, der er angivet med pilen M, for at redde operatøren med at hæve ham eller hende.



FARE

Lastløfteoperation med caRoL™ spillet:

Alle lastløfteoperationer med caRoL™ spillet er forbudt, hvis de udføres på samme tidspunkt som en redningsløfteoperation eller på samme tid som to understøttet arbejde.

Ved udførelse af redningsoperationer skal systemet udelukkende være dedikeret til redningsoperationer.

6. Forbudt brug

Følgende er strengt forbudt:

- at installere eller bruge et caRoL™ redningsspil uden at være autoriseret, uddannet og anerkendt som værende kompetent til at bruge anordningen eller, for enhver, der ikke lever op til disse krav, uden at være under opsyn af en person, som er autoriseret, uddannet og anerkendt som værende kompetent til at bruge anordningen.
- at bruge et caRoL™ spil, hvis en eller flere af dets mærkninger ikke er læselige.
- at installere eller bruge et caRoL™ spil, uden at de indledende kontroller er blevet gennemført.
- at bruge et caRoL™ spil, hvis der ikke er foretaget en periodisk kontrol af det i løbet af de foregående 12 måneder eller derunder i henhold til lovgivningen eller reglerne i det land, hvor spillet bruges, af en tekniker, der er i stand til skriftligt at godkende den fortsatte brug af spillet.
- at installere et caRoL™ spil på en Tractel® tracpode™, hvis en tekniker, der er i stand til skriftligt at godkende den fortsatte brug, ikke har gennemført en periodisk kontrol af denne i løbet af de foregående 12 måneder.
- at bruge et caRoL™ spil til en hvilken som helst anden anvendelse end redningsløft af personer.
- at montere et caRoL™ spil på nogen anden måde end med det benbeslag, der er specielt designet til tracpode™.
- at bruge et caRoL™ spil på nogen måde, der er i strid med oplysningerne i afsnit "14. Brugslevetid".
- at bruge et caRoL™ spil til at redde mere end 1 operatør ad gangen.
- at bruge et caRoL™ spil til at redde en operatør, hvis samlede vægt, inklusive udstyr og værktøj, overstiger 150 kg.
- at bruge et caRoL™ spil til at understøtte en belastning på mellem 100 kg og 150 kg (den samlede vægt af den operatør, der skal reddes, plus hans/hendes udstyr og værktøj), hvis en eller flere af redningssystemets komponenter har en lavere brugsbelastningsgrænse.
- at bruge et caRoL™ spil i en meget ætsende eller eksplosiv atmosfære.
- at bruge et caRoL™ spil uden for det temperaturområde, der er anført i denne manual.
- at bruge et caRoL™ spil, hvis der er forhindringer i redningens bane.
- at bruge et caRoL™ spil, hvis operatøren ikke er i god fysisk form.

DK

- at bruge et caRol™ spil, hvis den sikkerhedsfunktion, der leveres af et af de tilknyttede elementer, påvirkes af eller griber ind i et andet elements sikkerhedsfunktion.
- at bruge et caRol™ spil til at fastgøre eller løfte udstyr, hvis tracpode™ bruges som:
 - forandringspunkt til faldsikring
 - redningssystem
 - forankringssystem til tovunderstøttet arbejde
- at bruge kablet på et caRol™ spil som hejsetov.
- at udføre nogen form for reparations- eller vedligeholdelseshandlinger på et caRol™ spil uden først at være blevet uddannet og kvalificeret, skriftligt, af TRACTEL®
- at bruge et caRol™ spil, hvis det ikke er komplet, hvis det tidligere har været skilt ad og samlet igen, eller hvis komponenterne er blevet udskiftet af en person, der ikke er autoriseret af TRACTEL®.

7. Installation

- caRol™ spillet skam monteres på et af de tre ben på tracpode™.
- tracpode™ skal placeres på et stabilt underlag: se paragraffen med navnet "Installation" i manualen til Tractel® tracpode™.

8. Komponenter og materialer

- Kabel: galvaniseret stål
- M47-forbindelsesled: galvaniseret stål
- CaRol™ spil: malet stål
- CaRol™ spillets benbeslag: malet stål

9. Tilknyttet udstyr

I overensstemmelse med standard EN 363 er caRol™ spillet en del af et faldsikringssystem, der skal bestå af:

- Et forankringspunkt (EN 795).
- Et forbindelsesled i enden (EN 362).
- En redningsløfteanordning (EN 1496)
- Et forbindelsesled (EN 362).
- En faldsikringssele (EN 361).

Alle andre former for tilknyttet udstyr er forbudt.

10. Vedligeholdelse og opbevaring

- Hvis et caRol™ spil er snavset, skal det vaskes med rent, koldt vand. Hvis det er nødvendigt, skal der bruges et rengøringsmiddel til sarte tekstiler og en syntetisk børste.

- Hvis et caRol™ spil bliver vådt under brug eller som følge af vask, skal det tørre naturligt væk fra direkte sollys og på afstand af alle former for varmekilder.
- Inden transport og opbevaring skal udstyret pakkes i beskyttende emballage, som holder fugt ude og beskytter mod enhver form for beskadigelse (direkte varmekilder, kemikalier, UV osv.).
- Hvis produktet er kontamineret, skal du kontakte Tractel® eller en af dennes forhandlere.

11. Udstyrets overensstemmelse

TRACTEL® SAS RD 619 – Saint-Hilaire-sous-Romilly – F-10102 Romilly-sur-Seine Frankrig erklærer herved, at det sikkerhedsudstyr, der er beskrevet i denne manual, er identisk med det udstyr, der blev testet og fundet at leve op til standard EN 1496(2017) af APAVE SUDEUROPE SAS – CS 60193 – 13322 Marseille – Frankrig.

12. Mærkning

Mærkatens på hvert caRol™ spil angiver:

- Handelsnavnet: TRACTEL®.
- Produktets navn.
- Referencestandarden efterfulgt af år for ikrafttrædelse.
- Produktreferencen.
- Produktionsdatoen.
- Serienummeret.
- Et piktogram, der angiver, at manualen skal læses, inden udstyret bruges.
- Kablets diameter.
- Brugsbelastningsgrænsen.
- Den maksimale brugslængde

13. Periodisk kontrol og reparation

En årlig periodisk kontrol er obligatorisk, men afhængigt af brugsfrekvensen, de miljømæssige forhold og virksomhedens eller brugslændets regler kan de periodiske kontroller udføres hyppigere.

De periodiske kontroller skal udføres af en godkendt og kompetent tekniker og i overensstemmelse med producentens kontrolprocedurer som anført i filen "Kontrolprocedurer for TRACTEL® PPE".

Kontrol af, at mærkningerne på produktet er læselige, er en integreret del af den periodiske kontrol.

Når den periodiske kontrol er gennemført, skal genindsætningen i drift angives skriftligt af den

autoriserede og kompetente teknikere, som udførte kontrollen. Produktets genindsætning i drift skal registreres på kontrol dokumentet, der findes i midten af denne manual. Dette kontrol dokument skal opbevares gennem hele produktets brugslevetid, indtil det vurderes som uegnet til brug.

14. Brugslevetid

TRACTEL® PPE af tekstil som f.eks. seler, liner, tove og stødabsorbere, TRACTEL® mekanisk PPE som f.eks. stopcable™ og stopfor™ faldsikringer, blocfor™ faldsikringer med automatisk rappel, TRACTEL® livliner og TRACTEL® mekanisk redningsløfteudstyr som f.eks. caRol™ spil kan bruges på betingelse af, at de fra deres fremstillingsdato har været:

- Brugt normalt i henhold til de anbefalinger, der gives i denne manual.
- Kontrolleret periodisk mindst én gang om året af en godkendt og kompetent tekniker. Når denne periodiske kontrol er gennemført, skal det certificeres skriftligt, at udstyret er egnet til genindsættelse i drift.
- Opbevaret og transporteret i streng overensstemmelse med de betingelser, der er anført i denne manual.

15. Bortskaffelse

Ved bortskaffelse af produktet skal alle komponenter genbruges ved først at sortere dem i metal og syntetiske materialer. Disse materialer skal genbruges via specialiserede genbrugsorganisationer. Under bortskaffelsen skal afmontering med henblik på at adskille komponenterne foretages af en person, der har den nødvendige uddannelse.

2 – Brug af caRol™ spillet til løft af last i overensstemmelse med direktiv 2006/42/EF:

Lastløfteoperation udført med caRol™ spillet:



FARE: caRol™ spillet kan ikke bruges som lastløfteanordning, når trapcode™ samtidig bruges:

- Som forandringspunkt til faldsikring
- Som redningssystem
- Som forankringssystem for en person, der arbejder, mens han/hun er afhængt ved hjælp af et reb

Brugsbelastningsgrænsen er 250 kg, når caRol™ spillet er monteret på et af benene på trapcode™

For at udføre en løfteoperation skal lasten fastgøres til forbindelsesleddet for enden af kablet

Under hele løfteoperationen skal operatøren sørge for, at der ikke befinder sig en anden operatør under lasten, mens den flyttes

For at udføre lastløfteoperationen skal spoleanordningen drejes i den retning, der er angivet med pilen M, for at hæve lasten og i den modsatte retning for at sænke lasten.

3 – Brug af caRol™ spillet til tovunderstøttet arbejde i overensstemmelse med direktiv 2001/45/EF:

Tovunderstøttet arbejde, udført ved hjælp af caRol™ spillet:



FARE: caRol™ spillet kan ikke bruges som lastløfteanordning, når trapcode™ samtidig bruges:

- Som forandringspunkt til faldsikring
- Som redningssystem
- Som forankringssystem til tovunderstøttet arbejde

Tovunderstøttet arbejde muliggjort med caRol™ spillet:

caRol™ spillet kan bruges som tovunderstøttet system og positioneringssystem i overensstemmelse med Europa-Parlamentets direktiv 2001/45/EF af 27. juni 2001.

Betingelser, der skal være opfyldt ved implementering af tovunderstøttelses- og positioneringsteknikker.

Systemet skal som minimum bestå af et understøttelsestov (eller et kabel) (f.eks. leveret af et caRol™ redningsspil, en sænkingsanordning, en hævningsanordning), som leverer en understøttelsesmetode, hævnings eller sænkning og understøttelse samt et sikkerhedsreb (eller kabel) udstyret med et faldsikringssystem (en faldsikring på en fleksibel sikringsupport som f.eks. Stopfor™ eller en Blocfor™ faldsikring med automatisk rappel). Disse to reb (kabler) skal fastgøres uafhængigt af hinanden til to forankringspunkter i overensstemmelse med standard EN795 eller til et forankringspunkt, hvis bæreevne er blevet vurderet og fundet at være tilfredsstillende af arbejdsgiveren eller af en kvalificeret person.

Operatører, der bruger tovunderstøttelses- og positioneringsteknikken, skal bære og bruge en egnet faldsikringssele, der skal være fastgjort til både sikkerhedsrebet og til understøttelsestovet.



WAŻNE

**Wciągarka caRoI™ do użytku indywidualnego:
jako ratownicze urządzenie podnoszące (tylko
do podnoszenia) (wg normy EN 1496)**

lub

**jako urządzenie do podnoszenia obciążeń
zgodne z dyrektywą 2006/42/WE**

lub

**jako system dostępu i utrzymywania pozycji za
pomocą liny zgodny z dyrektywą 2001/45/WE.**

**Wciągarki caRoI™ można używać do
wykonywania tylko jednej z powyższych funkcji
w danym momencie (tzn. nie można używać
więcej niż jednej funkcji równocześnie).**

1. Używanie wciągarki caRoI™ do podnoszenia ratunkowego (wg normy EN 1496)

Dane techniczne

Operacje ratunkowe wykonywane za pomocą wciągarki caRoI™:

⚠ NIEBEZPIECZEŃSTWO: Wciągarki caRoI™ nie można używać jako urządzenia podnoszącego ładunki, kiedy trójnóg trappode™, do którego wciągarka jest zamocowana, jest równocześnie używany:

- jako punkt zakotwienia dla systemu zatrzymywania upadków,
- jako system ratunkowy,
- jako system kotwienia dla prac wykonywanych na linie.

Norma: EN 1496, klasa A

Model	caRoI™ 20 m	caRoI™ 30 m
Masa (kg)	9,34	16
Wymiary dł. x szer. x gł. (mm)	400 x 275 x 100	600 x 320 x 130
Długość liny ocynkowanej Ø 5 mm (m)	20	30

1. Ostrzeżenia ogólne

1. Ze względów bezpieczeństwa i w celu skutecznego wykorzystywania możliwości tego urządzenia ważne jest, aby przed rozpoczęciem jego użytkowania użytkownik przeczytał i zrozumiał informacje zawarte w instrukcji dostarczonej przez TRACTEL SAS. Instrukcja ta musi być w każdej chwili dostępna dla wszystkich użytkowników. Na żądanie mogą zostać dostarczone dodatkowe egzemplarze.

2. Przed rozpoczęciem użytkowania tego urządzenia użytkownicy muszą bezwzględnie odbyć szkolenie w zakresie sposobu jego użytkowania. Należy sprawdzać stan wszystkich powiązanych urządzeń i upewniać się, że przestrzeń pod urządzeniem jest wystarczająca, aby w razie upadku operatora nie doszło do jego kolizji z podłożem.

3. Urządzenie może być używane wyłącznie przez pojedynczego operatora, który odbył odpowiednie szkolenie i posiada odpowiednie umiejętności lub przez operatora pod nadzorem przeszkolonego i wykwalifikowanego użytkownika.

4. Jeżeli stan urządzenia nie wygląda na dobry, musi ono zostać poddane kontroli przez TRACTEL® SAS lub przez osobę wykwalifikowaną i kompetentną w tej dziedzinie, która wyda pisemną zgodę na ponowne wprowadzenie systemu do eksploatacji. Przed każdym użyciem obowiązkowe jest przeprowadzenie kontroli wzrokowej.

5. Nie wolno wprowadzać żadnych modyfikacji w urządzeniu ani dodawać do niego żadnych elementów bez uprzedniej pisemnej zgody ze strony TRACTEL® SAS. Urządzenie musi być transportowane i przechowywane w swoim oryginalnym opakowaniu.

6. Jeżeli przegląd okresowy nie został przeprowadzony w ciągu ostatnich 12 miesięcy lub krótszego okresu zgodnie z przepisami i zasadami obowiązującymi w kraju użytkowania, nie wolno używać urządzenia. Można je ponownie użyć dopiero po przeprowadzeniu nowego przeglądu okresowego przez uprawnionego, kompetentnego technika, który musi potwierdzić na piśmie swoją zgodę na ponowne użytkowanie. Jeżeli urządzenie nie zostało poddane takiemu przeglądowi i nie zostało dopuszczone do użytkowania, należy je oznaczyć za niezdatne do użytku i zniszczyć.

7. Graniczne obciążenie robocze tego urządzenia wynosi 150 kg.

8. Jeżeli masa operatora powiększona o masę wykorzystywanego sprzętu i oprzyrządowania wynosi od 100 kg do 150 kg, należy koniecznie upewnić się, że masa całkowita (operator + sprzęt + oprzyrządowanie) nie przekracza maksymalnego obciążenia roboczego każdego z elementów tworzących system zatrzymywania upadków.

9. Urządzenie nadaje się do użytkowania na budowach na wolnym powietrzu, w zakresie temperatur od -35°C do +60°C. Nie wolno dopuszczać do kontaktu z ostrymi krawędziami, powierzchniami o właściwościach ściernych i substancjami chemicznymi.

10. W przypadku powierzenia tego urządzenia pracownikowi lub osobie współpracującej należy stosować się do odpowiednich przepisów prawa pracy.

11. W momencie użytkowania tego urządzenia użytkownik musi być w doskonałej formie fizycznej i psychicznej. W przypadku wątpliwości należy skonsultować się ze swoim lekarzem lub lekarzem medycyny pracy. Używanie tego sprzętu przez kobiety w ciąży jest zabronione.
12. Urządzenie może być użytkowane wyłącznie w podanym zakresie wartości granicznych i nie może być wykorzystywane w sytuacjach, do których nie jest przewidziane — patrz „4. Funkcje i opis”.
13. Zaleca się przydzielanie urządzeń indywidualnie konkretnym operatorom, zwłaszcza jeżeli są to stali pracownicy.
14. Przed użyciem systemu zatrzymywania upadków zgodnego z normą EN 363 użytkownik musi się upewnić, że każda część składowa jest w dobrym stanie: system zabezpieczeń, system blokad. Podczas ustawiania i mocowania należy się upewnić, że funkcje zabezpieczające nie zostały osłabione.
15. Podczas korzystania z systemu zatrzymywania upadków przed każdym użyciem należy bezwzględnie sprawdzić, czy wolna przestrzeń pod operatorem w miejscu jego pracy jest wystarczająca, tak aby w razie upadku operatora nie uderzył on o podłoże ani w żadną przeszkodę na drodze upadku (przed zatrzymaniem upadku przez system).
16. Uprząż zatrzymująca upadki jest jedynym urządzeniem zabezpieczającym przed upadkiem poprzez chwytnie ciała dopuszczonym do stosowania w systemie zatrzymywania upadków.
17. Dla zapewnienia bezpieczeństwa operatora niezwykle ważne jest, aby system lub punkt zaczepienia znajdował się w właściwej pozycji, a praca była wykonywana w sposób umożliwiający ograniczenie do minimum ryzyka upadku i jego wysokości.
18. Aby zapewnić bezpieczeństwo operatora, jeżeli sprzęt został sprzedany poza terytorium początkowego kraju docelowego, odsprzedawca powinien dostarczyć: instrukcję obsługi, instrukcję konserwacji oraz informacje dotyczące przeglądów okresowych i napraw opracowane w języku kraju, w którym sprzęt będzie użytkowany.
19. Należy opracować i wdrożyć plan ratunkowy.



UWAGA

W sprawie wszelkich zastosowań specjalnych prosimy o kontakt z firmą Tractel® SAS.

2. Definicje i piktogramy

2.1. Definicje

„**Użytkownik**”: Osoba lub dział firmy, która (który) odpowiada za zarządzanie i zapewnianie bezpieczeństwa podczas korzystania z produktu stanowiącego przedmiot instrukcji.

„**Technik**”: Wykwalifikowana osoba wyznaczona do wykonywania konserwacji opisanej i dozwolonej w niniejszej instrukcji. Jest to osoba odpowiednio wykwalifikowana i znająca produkt.

„**Operator**”: Osoba zdolna do korzystania z produktu w sposób zgodny z jego przeznaczeniem.

„**Środki ochrony indywidualnej**”: Środki ochrony indywidualnej zabezpieczające przed upadkiem z wysokości.

„**Łącznik**”: Element służący do łączenia poszczególnych elementów systemu zatrzymywania upadków. Każdy element musi spełniać wymogi normy EN 362.

„**Uprząż zatrzymująca upadki z wysokości**”: Uprząż zakładana na ciało zatrzymująca upadki z wysokości. Składa się ona z pasów i sprzączek. Zawiera ona zabezpieczające przed upadkiem punkty mocowania oznaczone symbolem A, jeżeli mogą być wykorzystywane samodzielnie lub A/2, jeżeli muszą być wykorzystywane w połączeniu z innym punktem mocowania A/2. Każdy element musi spełniać wymogi normy EN 361.

„**Graniczne obciążenie robocze**”: Maksymalna masa ratowanego operatora w odpowiedniej odzieży roboczej wraz z prawidłowymi środkami ochrony indywidualnej, narzędziami i częściami koniecznymi do wykonania zaplanowanej pracy.

„**System ratunkowy**”: Zestaw obejmujący następujące elementy:

- uprząż zatrzymującą upadki lub uprząż biodrową lub uprząż z pasem ratunkowym,
- ratownicze urządzenie podnoszące,
- punkt zakotwienia zapewniany przez trójnóg trapcade™ wyprodukowany przez firmę Tractel®,
- łączniki.

„**Element systemu ratunkowego**”: Wyrażenie ogólne określające jeden z następujących elementów:

- uprząż zatrzymującą upadki lub uprząż biodrową lub uprząż z pasem ratunkowym,
- ratownicze urządzenie podnoszące,
- punkt zakotwienia zapewniany przez trójnóg trapcade™ wyprodukowany przez firmę Tractel®,
- łączniki.

„**Ratownicze urządzenie podnoszące klasy A wg normy EN 1496**”: Element środków ochrony indywidualnej przeznaczony do celów ratunkowych, za

pomocą którego osoby mogą się wciągać lub podnosić samodzielnie z miejsca położonego niżej w miejsce położone wyżej albo mogą być podnoszone przez ratownika.

„Sprzęt ratunkowy”: Indywidualny system ochrony przed upadkami, za pomocą którego można się uratować samodzielnie lub ratować inne osoby w taki sposób, aby zapobiegać wszelkim upadkom.

2.2. Piktogramy



NIEBEZPIECZEŃSTWO: oznacza zalecenia mające na celu zapobieganie możliwości odniesienia śmiertelnych, poważnych lub lekkich obrażeń ciała, a także wyrażenia szkód w otoczeniu.



WAŻNE: Piktogram umieszczony na początku wiersza oznacza zalecenia mające na celu zapobieganie możliwości nieprawidłowego działania lub uszkodzenia sprzętu, które nie stanowią bezpośredniego zagrożenia dla życia lub zdrowia operatora bądź innych osób i/lub nie powinny wiązać się z wyrządzeniem szkód w otoczeniu.



UWAGA: Piktogram umieszczony na początku wiersza oznacza zalecenia mające na celu zapewnienie skutecznego i prawidłowego montażu sprzętu, użytkowania oraz przeprowadzania prac konserwacyjnych.

3. Warunki użytkowania

Kontrole przed rozpoczęciem użytkowania:



WAŻNE: Testy wciągarki caRol® zamocowanej za pomocą uchwytu na nogę do trójnogu tracpode™ firmy Tractel® zakończyły się powodzeniem. W przypadku innych sposobów mocowania należy skontaktować się z firmą Tractel®.

- Sprawdzić, czy uchwyty na nogi wciągarki caRol™ są pewnie zamocowane do nóg trójnogu ratunkowego tracpode™ firmy Tractel® (patrz § 4.2.1.).
- Sprawdzić stan liny na całej długości: lina stalowa nie może nosić żadnych śladów załamań, przetarć, korozji lub zerwanych drutów.
- Sprawdzić stan konstrukcji metalowej wciągarki caRol™ (brak odkształceń, obecne wszystkie śruby itp.).
- Sprawdzić działanie wciągarki caRol™ poprzez obracanie korby w kierunku „podnoszenia”, a następnie w kierunku „opuszczania”.
- Sprawdzić stan i działanie łączników: brak korozji, widocznych odkształceń, możliwość otwierania, zamykania i blokowania.

- Sprawdzić stan powiązanych elementów: punktów zakotwienia zapewnianych przez trójnog tracpode™ firmy Tractel®, upręży i łączników. Patrz instrukcje poszczególnych produktów.

- Sprawdzić kompletny system podnoszenia ratunkowego.

4. Funkcje i opis

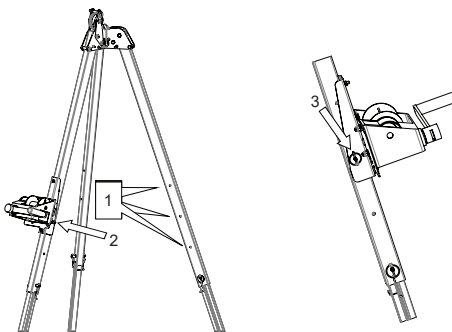
4.1. caRol™ 20 m/30 m

Wciągarka caRol™ jest ratunkowym urządzeniem podnoszącym (tylko do podnoszenia) (klasy A wg normy EN 1496): umożliwia ratownikowi ratowanie operatora poprzez podniesienie go w bezpieczne miejsce. Jest ona używana w położeniu skośnym po zamocowaniu do uchwytu na nogę trójnogu tracpode.

- Wciągarka caRol™ jest wyposażona w ocynkowaną linę stalową Tractel® o długości 20 lub 30 m.
- Wciągarka caRol™ jest używana ze specjalnie zaprojektowanym wspornikiem na nogę, za pomocą którego jest mocowana do jednej z nóg trójnogu tracpode™ firmy Tractel®, której minimalna nośność wynosi 15 kN.

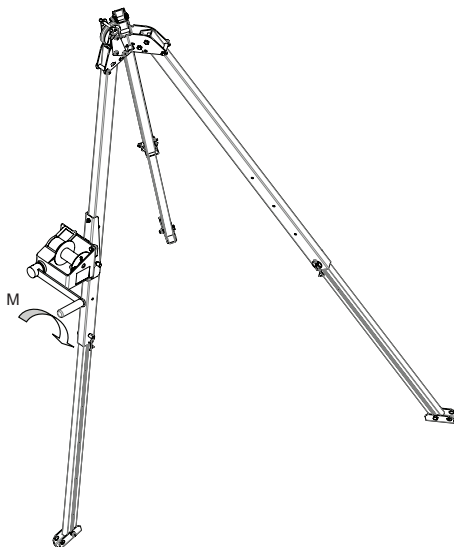
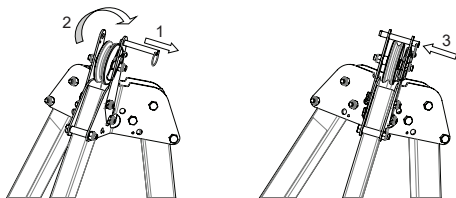
4.2.1. Mocowanie wciągarki caRol™ do trójnogu tracpode™ firmy Tractel®

1. — Wyjąć kolek blokujący, a następnie ustawić wciągarkę caRol™ na wymaganej wysokości na trójnogu tracpode™ (możliwe są 3 położenia). Czynność tę należy wykonać zgodnie z instrukcją trójnogu tracpode™ firmy Tractel®.
2. — Wcisnąć kolek blokujący do otworu w uchwycie na nogę i w trójnogu tracpode™ firmy Tractel®.
3. — Zabezpieczyć kolek blokujący za pomocą zawlecзки.



4.2.2. Zakładanie liny na prowadzący krążek liny na trójnogu tracpode™ firmy Tractel®

1. — Wyjąć kołek prowadnicy liny.
2. — Przełożyć linę wciągarki caRol™ przez krążek linowy, a następnie przez środek głowicy trójnogu tracpode™.
3. — Aby zapobiec spadnięciu liny z krążka, włożyć kołek prowadnicy liny.



5. Zasada działania

5.1. Operacje ratunkowe wykonywane za pomocą wciągarki caRol™


NIEBEZPIECZEŃSTWO

Aby przeprowadzić ewentualną ewakuację, w pobliżu musi być dostępna druga osoba.

Konieczne działania ratunkowe należy przemyśleć i ocenić z wyprzedzeniem w celu określenia zasobów ludzkich i sprzętu potrzebnych do uratowania zawieszzonego operatora w czasie krótszym niż 15 minut. Po upływie tego czasu operatorowi wymagającemu ratunku grozi niebezpieczeństwo.

Podczas operacji ratunkowych zalecane jest wykorzystywanie wygodnej uprząży zgodnej z normą EN 1497 lub uprząży wyposażonej w pasy ratunkowe. Można również użyć uprząży zatrzymującej upadki, jeżeli nosi ją operator wymagający ratunku.

Przez cały okres akcji ratunkowej należy utrzymywać bezpośredni lub pośredni kontakt wzrokowy lub inny rodzaj komunikacji pomiędzy ratownikiem a pozostałymi osobami biorącymi udział w akcji.

 **WAŻNE:** Podczas operacji ratunkowych system wciągania musi być wykorzystywany wyłącznie w celach ratunkowych i nie może być wykorzystywany do podnoszenia ładunków.

Aby wykonać podnoszenie ratunkowe, należy obracać korbą w kierunku wskazanym strzałką M.

NIEBEZPIECZEŃSTWO

Podnoszenie ładunków za pomocą wciągarki caRol™:

Wszelkie podnoszenie ładunków za pomocą wciągarki caRol™ równocześnie z operacjami ratunkowymi lub dostępem do miejsca pracy za pomocą liny jest zabronione.

Podczas akcji ratunkowych wciągarka musi być wykorzystywana wyłącznie w celach ratunkowych.

6. Użytkowanie zabronione

Surowo zabronione jest:

- Montowanie lub użytkowanie wciągarki ratunkowej caRol™ bez upoważnienia, przeszkolenia i uznania za osobę wykwalifikowaną do użytku urządzenia lub, w przypadku osób niespełniających tych wymagań, bez nadzoru przez operatora upoważnionego, przeszkolonego i uznanego za wykwalifikowanego do użytku urządzenia.
- Użytkowanie wciągarki caRol™, jeżeli którykolwiek z elementów oznakowania jest nieczytelny.
- Montowanie lub użytkowanie wciągarki caRol™ bez przeprowadzenia kontroli wstępnych.
- Użytkowanie wciągarki caRol™, której przegląd okresowy nie został przeprowadzony w ciągu ostatnich 12 miesięcy lub krótszego okresu zgodnie z przepisami i zasadami obowiązującymi w kraju użytkowania przez osobę kompetentną w tej

dziedzinie, która wydała pisemną zgodę na dalsze użytkowanie urządzenia.

- Mocowanie wciągarki caRol™ na trójnogu trampoline™ firmy Tractel™, którego przegląd okresowy nie został przeprowadzony w ciągu ostatnich 12 miesięcy przez osobę kompetentną w tej dziedzinie, która wydała pisemną zgodę na dalsze użytkowanie urządzenia.
- Używanie wciągarki caRol™ do zastosowań innych niż ratunkowe podnoszenie osób.
- Mocowanie wciągarki caRol™ za pomocą innych środków niż uchwyt na nogę specjalnie zaprojektowany dla trójnogu trampoline™.
- Użytkowanie wciągarki caRol™ w sposób sprzeczny z informacjami podanymi w części „14. Okres przydatności do użytku”.
- Wykorzystywanie wciągarki caRol™ do ratowania więcej niż 1 operatora w danym momencie.
- Używanie wciągarki caRol™ do ratowania operatora, którego całkowita masa wraz ze sprzętem i narzędziami przekracza 150 kg.
- Używanie wciągarki caRol™ do utrzymywania obciążenia wynoszącego od 100 do 150 kg (całkowita masa operatora wymagającego ratunku, jego sprzętu i narzędzi), jeżeli graniczne obciążenie robocze któregośkolwiek elementu systemu ratunkowego jest niższe.
- Użytkowanie wciągarki caRol™ w atmosferze silnie żrącej lub wybuchowej.
- Użytkowanie wciągarki caRol™ poza zakresem temperatur roboczych podanym w niniejszej instrukcji.
- Używanie wciągarki caRol™, jeżeli na drodze ratowania występują przeszkody.
- Użytkowanie wciągarki caRol™, jeżeli operator nie jest w dobrej formie fizycznej.
- Użytkowanie wciągarki caRol™, jeżeli funkcja zabezpieczająca któregośkolwiek z urządzeń towarzyszących wpływa na funkcję zabezpieczającą innego urządzenia zabezpieczającego lub z nią koliduje.
- Używanie wciągarki caRol™ do podnoszenia ładunku lub sprzętu, jeżeli trójnog trampoline™ jest używany równocześnie jako:
 - punkt zakotwienia dla systemu zatrzymywania upadków,
 - system ratunkowy,
 - system kotwienia dla prac wykonywanych na linie.
- Używanie liny wciągarki caRol™ jako zawiesia.
- Wykonywanie napraw lub konserwacji wciągarki caRol™ bez pisemnego zaświadczenia o szkoleniu i upoważnieniu, wydanego przez firmę TRACTEL®.

- Użytkowanie wciągarki caRol™, jeżeli nie jest ona kompletna, była wcześniej rozmontowana i zmontowana lub jeżeli którekolwiek jej części zostały wymienione przez osobę, która nie została wcześniej upoważniona przez firmę TRACTEL®.

7. Montaż

- Wciągarkę caRol™ należy mocować do jednej z nóg trójnogu trampoline™.
- Trójnog trampoline™ musi być ustawiony na stabilnym podłożu — patrz punkt „Montaż” w instrukcji trójnogu trampoline™ firmy Tractel®.

8. Części składowe i materiały

- Lina: stal ocynkowana.
- Łącznik M47: stal ocynkowana.
- Wciągarka caRol™: stal malowana.
- Uchwyt na nogę wciągarki caRol™: stal malowana.

9. Powiązane urządzenia

Zgodnie z normą EN 363 wciągarka caRol™ stanowi część systemu zatrzymywania upadków, który musi zawierać następujące elementy:

- punkt zakotwienia (EN 795),
- łącznik końcowy (EN 362),
- ratunkowe urządzenie podnoszące (EN 1496),
- łącznik (EN 362),
- uprząż ochronną (EN 361).

Wszelkie inne elementy są zabronione.

10. Konserwacja i przechowywanie

- Jeżeli wciągarka caRol™ jest zanieczyszczona, należy ją umyć czystą zimną wodą z użyciem, w razie potrzeby, detergentu do delikatnych tkanin. Należy używać szczotki syntetycznej.
- Jeżeli w trakcie użytkowania lub w wyniku mycia wciągarka caRol™ uległa zamoczeniu, należy pozostawić ją do naturalnego wyschnięcia w cieniu z dala od źródeł ciepła.
- Przed transportem i przechowywaniem należy umieścić urządzenie w opakowaniu ochronnym, które zabezpieczy je przed wilgocią i wszelkimi uszkodzeniami (bezpośrednie źródła ciepła, środki chemiczne, promieniowanie UV itp.).
- Jeżeli urządzenie jest zanieczyszczone, skontaktować się z firmą Tractel® lub jednym z jej przedstawicieli.

11. Zgodność urządzenia

TRACTEL® SAS RD 619 — Saint-Hilaire-sous-Romilly — F-10102 Romilly-sur-Seine — Francja niniejszym oświadcza, że sprzęt ochronny opisany w niniejszej instrukcji jest identyczny ze sprzętem testowanym i uznanym za zgodny z normą EN 1496(2017) przez APAVE SUDEUROPE SAS — CS 60193 — 13322 Marseille — Francja.

12. Oznakowanie

Na etykiecie każdej wciągarki caRol™ znajdują się następujące oznaczenia:

- a. Nazwa handlowa: TRACTEL®.
- b. Nazwa produktu.
- c. Odpowiednia norma i rok jej wprowadzenia.
- d. Oznaczenie wyrobu.
- f. Data produkcji.
- g. Numer seryjny.
- h. Piktogram informujący o konieczności przeczytania instrukcji obsługi przed użyciem.
- n. Średnica liny.
- w. Graniczne obciążenie robocze.
- x. Maksymalna długość robocza.

13. Przeglądy okresowe i naprawy

Obowiązkowe jest przeprowadzanie okresowych przeglądów rocznych, ale zależnie od intensywności i częstotliwości użytkowania, warunków otoczenia oraz przepisów obowiązujących w przedsiębiorstwie lub kraju, w którym sprzęt jest używany, przeglądy okresowe mogą być wykonywane częściej.

Przeglądy okresowe muszą być przeprowadzane przez uprawnionego, kompetentnego technika, zgodnie z procedurami kontrolnymi producenta, określonymi w pliku „Instrukcje dotyczące weryfikacji środków ochrony indywidualnej firmy TRACTEL®”.

Weryfikacja czytelności oznakowania znajdującego się na produkcie stanowi integralną część przeglądu okresowego.

Ponowne oddanie produktu do użytkowania po zakończeniu przeglądu okresowego musi zostać pisemnie stwierdzone przez upoważnionego i wykwalifikowanego technika, który dokonał przeglądu. Ponowne oddanie produktu do użytkowania musi zostać potwierdzone na karcie kontrolnej, która znajduje się wewnątrz tej instrukcji. Karta kontrolna musi być przechowywana przez cały okres użytkowania produktu, do momentu uznania go za niezdatny do użytku.

14. Okres przydatności do użytku

Tekstylne środki ochrony indywidualnej firmy TRACTEL® takie jak uprząże, linki oraz pochłaniacze wstrząsów, mechaniczne środki ochrony indywidualnej firmy TRACTEL®, takie jak urządzenia zatrzymujące upadki stopcable™ i stopfor™, automatyczne zwijacze zatrzymujące upadki blocfor™, liny asekuracyjne firmy TRACTEL® oraz mechaniczne ratunkowe urządzenia podnoszące, takie jak wciągarki caRol™, mogą być użytkowane bez ograniczeń pod warunkiem, że od daty ich produkcji są one:

- Normalnie użytkowane zgodnie z zaleceniami podanymi w niniejszej instrukcji.
- Przedmiotem przeglądów okresowych, które muszą być przeprowadzane co najmniej raz w roku przez uprawnionego, kompetentnego technika. Możliwość powrotu do użytkowania urządzenia po przeglądzie okresowym musi zostać potwierdzona na piśmie.
- Przechowywane i transportowane ze ścisłym przestrzeganiem warunków podanych w niniejszej instrukcji.

15. Utylizacja

Podczas wycofywania produktu z użytkowania, należy przeznaczyć poszczególne elementy do recyklingu, przeprowadzając sortowanie metali oraz materiałów z tworzyw sztucznych. Materiały te muszą zostać przekazane do recyklingu w wyspecjalizowanych zakładach. Podczas wycofywania produktu z użytkowania, czynności dotyczące jego demontażu i separacji poszczególnych komponentów powinny zostać przeprowadzone przez osobę odpowiednio przeszkoloną.

2. Używanie wciągarki caRol™ do podnoszenia ładunków zgodnie z dyrektywą 2006/42/WE

Podnoszenie ładunków za pomocą wciągarki caRol™:



NIEBEZPIECZEŃSTWO:

Wciągarki caRol™ nie można używać jako urządzenia podnoszącego ładunki, kiedy trójnog trampoline™ jest równocześnie używany:

- jako punkt zakotwienia dla systemu zatrzymywania upadków,
- jako system ratunkowy,
- jako system mocowania osoby pracującej w pozycji zawieszanej na linie.

Jeżeli wciągarka caRol™ jest zamocowana do jednej z nóg trójnogu tracpode™, graniczne obciążenie robocze wynosi 250 kg.

Aby wykonać podnoszenie, należy zamocować ładunek do łącznika na końcu liny.

Przez cały czas podnoszenia operator musi mieć pewność, że pod podnoszonym ładunkiem nie znajduje się nikt inny.

Aby wykonać podnoszenie ładunku, należy obracać korbą w kierunku wskazanym strzałką M, a aby opuścić ładunek, obracać w kierunku przeciwnym.

3. Używanie wciągarki caRol™ do prac wykonywanych na linie zgodnie z dyrektywą 2001/45/WE

Prace wykonywane na linie z użyciem wciągarki caRol™:



NIEBEZPIECZEŃSTWO: Wciągarki caRol™ nie można używać jako urządzenia podnoszącego ładunki, kiedy trójnóg tracpode™ jest równocześnie używany:

- jako punkt zakotwienia dla systemu zatrzymywania upadków,
- jako system ratunkowy,
- jako system kotwienia dla prac wykonywanych na linie.

Prace wykonywane na linie możliwe z użyciem wciągarki caRol™:

Wciągarki caRol™ można używać podczas prac wykonywanych na linie oraz jako systemu utrzymywania pozycji zgodnie z dyrektywą Parlamentu Europejskiego 2001/45/WE z dnia 27 czerwca 2001.

Warunki wymagane podczas prac na linie i stosowania technik utrzymywania pozycji.

System musi być wyposażony w co najmniej jedną linę dostępową (np. zapewnianą przez wciągarkę ratunkową caRol™, urządzenie do opuszczania i urządzenie do podnoszenia), która zapewnia dostęp, umożliwia podnoszenie, opuszczanie i utrzymywanie, a także linę zabezpieczającą wyposażoną w system zatrzymywania upadków (urządzenie zatrzymujące upadki lub elastyczną linę asekuracyjną, taką jak stopfor™ lub automatyczny zwijacz zatrzymujący upadki blocfor™). Obie liny muszą być zamocowane niezależnie do dwóch punktów zakotwienia zgodnych z normą EN 795 lub do punktu zakotwienia, którego nośność została sprawdzona przez pracodawcę lub inną osobę kompetentną i uznana za wystarczającą.

Operatorzy wykorzystujący linę dostępową i technikę utrzymywania pozycji muszą zakładać odpowiednią uprząż zatrzymującą upadki, która musi być zamocowana równocześnie do liny zabezpieczającej i do liny dostępowej.



ВАЖНО

Лебедка caRoI™ может самостоятельно использоваться:

как спасательная подъемная система (только подъем) (EN 1496)

или

как система для подъема грузов в соответствии с директивой 2006/42/ЕС

или

как система канатного доступа в соответствии с директивой 2001/45/ЕС.

Лебедка caRoI™ может применяться для выполнения только одной задачи (одновременное выполнение нескольких задач не допускается)

1 – Использование лебедки caRoI™ для спасательного подъема (EN 1496):

Техническая спецификация

Использование лебедки caRoI™ для спасательной операции:

⚠ ОПАСНО! Применение лебедки caRoI™ для подъема грузов не допускается, если тренога tracode™, на которой установлена лебедка, одновременно используется как:

- анкерная точка
- спасательная система
- анкерная система для канатного доступа

Стандарт: EN 1496, класс А

Модель	CaRoI™ 20 м	CaRoI™ 30 м
Масса (кг)	9,34	16
Размер Д x Ш x В (мм)	400 x 275 x 100	600 x 320 x 130
Длина троса из оцинкованной стали диаметром 5 мм (м)	20	30

1. Общие предупреждения

1. Для безопасного и эффективного использования необходимо убедиться, что информация в данной инструкции TRACTEL SAS прочитана и понята до начала эксплуатации каждым пользователем. Данная инструкция должна быть сохранена и в любой момент доступна для каждого

пользователя. Дополнительные копии инструкции предоставляются по запросу.

2. Перед использованием оборудования необходимо провести инструктаж по его эксплуатации для пользователей. Необходимо проверить состояние сопряженного оборудования и убедиться, что запас высоты достаточен для недопущения столкновения с землей в случае падения пользователя.
3. Данное оборудование должно применяться только обученным опытным пользователем либо под контролем компетентного обученного пользователя.
4. При возникновении сомнений в исправности данное оборудование должно быть проверено сотрудниками компании TRACTEL® SAS или квалифицированным техником, которые должны предоставить письменное разрешение на дальнейшее использование данной системы. Визуальный осмотр оборудования перед каждым его использованием обязателен.
5. Вносить изменения или дополнения в конструкцию данного оборудования без письменного разрешения компании TRACTEL® SAS запрещено. Транспортировать и хранить оборудование следует в фабричной упаковке.
6. Не допускается использовать оборудование, инспекция которого не проводилась в течение последних 12 месяцев или меньшего периода, если того требует законодательство или строительные нормы на территории применения оборудования. Дальнейшее использование устройства допускается только после очередной периодической проверки, выполняемой сертифицированным техником, которое выдает письменное разрешение на эксплуатацию устройства. В отсутствие таких проверок и разрешений оборудование следует считать не соответствующим требованиям, и оно должно быть утилизировано.
7. Максимальная рабочая нагрузка оборудования – 150 кг.
8. Если масса пользователя вместе со снаряжением и инструментами составляет от 100 до 150 кг, необходимо убедиться, что общая масса пользователя, снаряжения и инструментов не превышает максимальную рабочую нагрузку для каждого из элементов системы защиты от падения.
9. Это оборудование предназначено для использования под открытым небом при температуре окружающей среды от -35 до +60 °С. Не допускайте контакта оборудования с химическими веществами, а также с острыми краями или грубыми поверхностями предметов.

10. Если вы несете ответственность за выдачу данного оборудования одному из ваших работников и т.п. лиц, вы обязаны соблюдать соответствующие положения законодательства по охране труда.
11. Данное оборудование предназначено для использования физически и психически здоровыми лицами. В случае сомнений следует проконсультироваться с лечащим врачом пользователя или врачом на производстве. Беременным женщинам пользоваться данным оборудованием запрещено.
12. Оборудование разрешено использовать только в условиях и ситуациях, для которых оно предназначено: см. «4. Функции и описание».
13. Рекомендуется предоставить данное оборудование персонально каждому пользователю, особенно если пользователь является штатным сотрудником.
14. До начала использования системы защиты от падения EN 363 пользователь должен убедиться в том, что все элементы (страховочная система, система блокировки) находятся в рабочем состоянии. При установке важно убедиться, что страховочные функции никаким образом не нарушены.
15. При использовании системы защиты от падения крайне важно заблаговременно убедиться, что запас высоты достаточен для недопущения столкновения с землей или препятствием в случае падения пользователя (пока система защиты не остановит падение).
16. Страховочная привязь — единственное оборудование, разрешенное к применению совместно с данной системой защиты от падения.
17. В целях обеспечения безопасности пользователя необходимо соблюдать правильное положение устройства и точки крепления, а также выполнять работу таким образом, чтобы свести к минимуму риск падения и высоту, с которой может произойти падение.
18. При продаже оборудования за пределы страны, для рынка которой оно изначально предназначалось, в целях обеспечения безопасности пользователя дилер должен предоставить инструкции по эксплуатации, по техническому обслуживанию, по регулярным проверкам и ремонтным работам на языке страны, в которой оборудование будет использоваться.
19. Убедитесь, что план спасения был разработан и находится в месте проведения работ.

ПРИМЕЧАНИЕ

Если предполагается использовать снаряжение в особых ситуациях, убедительно просим обратиться в компанию Tractel® SAS.

2. Определения и условные обозначения

2.1. Определения

«**Ответственный пользователь**»: — лицо или служба, ответственные за обращение с описанным в инструкции изделием и за безопасность его использования.

«**Техник**»: — квалифицированное лицо, выполняющее операции по техническому обслуживанию, описанные и разрешенные в инструкции. Техник должен обладать необходимой квалификацией и знать изделие.

«**Пользователь**»: — лицо, которое может пользоваться изделием надлежащим образом.

«**СИЗ**»: — средства индивидуальной защиты от падения с высоты.

«**Карабин**»: — устройство, соединяющее между собой элементы системы защиты от падения. Соответствует требованиям стандарта EN 362.

«**Страховочная привязь**»: — система удержания тела человека, предназначенная для предотвращения падения. Состоит из ремней и пряжек. Оснащена узлами крепления для защиты от падения. Узлы крепления, обозначенные символом «А», могут использоваться самостоятельно, а узлы крепления с обозначением «А/2» должны использоваться в сочетании с другим узлом крепления «А/2». Соответствует требованиям стандарта EN 361.

«**Максимальная рабочая нагрузка**»: — максимальная масса подвешенного спасению пользователя, кипированного требуемыми СИЗ, рабочей одеждой, инструментами и предметами, необходимыми для выполнения работ.

«**Спасательная система**»: — комплект изделий, состоящий из следующего:

- Страховочная привязь для защиты от падения, или страховочная привязь для положения сидя, или страховочная привязь со спасательным ремнем.
- Спасательная подъемная система.
- Анкерная точка, обеспеченная треногой Traspode™, изготовленной компанией Tractel®.
- Соединительный элемент.


«**Элемент спасательной системы**»: Общий термин, обозначающий один из следующих элементов:


- Страховочная привязь для защиты от падения, или страховочная привязь для положения сидя, или страховочная привязь со спасательным ремнем.
- Спасательная подъемная система.
- Анкерная точка, обеспеченная треногой Tracpode™, изготовленной компанией Tractel®.
- Соединительный элемент.


«**Спасательное подъемное устройство по EN 1496, класс А**»: спасательный элемент СИЗ, посредством которых сами лица или спасатель могут подтянуть или поднять их вверх.

«**Спасательное оборудование**» – система индивидуальной защиты от падения с высоты, посредством которой пользователь может спасти себя или других, исключив риск падения.

2.2. Условные обозначения


 **ОПАСНО!** Обозначает инструкции по предотвращению травм пользователей (смертельных, тяжелых и незначительных травм) и нанесения ущерба окружающей среде.

 **ВАЖНО!** Размещается в начале строки, обозначает инструкции, направленные на предупреждение неполадок в работе и повреждения оборудования, в связи с чем жизнь и здоровье пользователя или непосредственно не связанных с данной работой лиц, а также окружающая среда могут оказаться под угрозой.

 **ПРИМЕЧАНИЕ:** Размещается в начале строки, обозначает инструкции, направленные на обеспечение эффективной или надлежащей установки оборудования, пользования им и его обслуживания.

3. Условия использования

Перед использованием системы выполните указанные ниже действия:

 **ВАЖНО!** Эксплуатация лебедки caRol™, прикрепленной к треноге Tractel® tracpode™ с помощью анкерной консоли, успешно прошла испытания. Если предполагается какая-либо иная установка, убедительно просим обратиться в компанию Tractel®

- Убедитесь, что анкерная консоль лебедки caRol™ надежно прикреплена к одной из ножек треноги Tractel® tracpode™ (см. § 4.2.1)

- Проверьте состояние троса по всей длине: на нем не должно быть видимых петель, потертостей, коррозии или поврежденных прядей.
- Проверьте состояние металлической конструкции лебедки caRol™ (отсутствие деформаций, наличие винтов и пр.).
- Проверьте работу лебедки caRol™, повернув намоточный барабан в направлении «поднять», а затем в направлении «опустить».
- Проверьте состояние и работу карабина: не должно быть никакой коррозии или видимых деформаций, карабин должен открываться, закрываться и блокироваться.
- Проверьте состояние сопряженных элементов: точки крепления, обеспеченной треногой Tractel® tracpode™, привязей и карабинов. Руководствуйтесь инструкциями по эксплуатации каждого отдельного изделия.
- Полностью проверьте спасательную подъемную систему.

4. Функции и описание

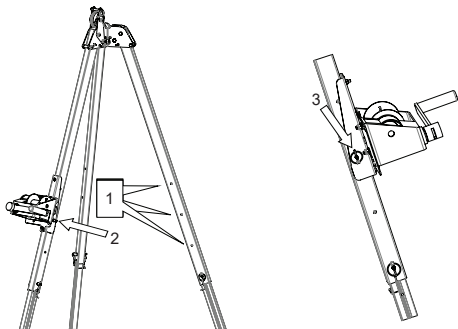
4.1. CaRol™ 20 м / 30 м

Лебедка caRol™ - спасательное подъемное устройство (только подъем) (EN 1496, класс А): оно позволяет спасателю спасти пользователя, подтянув его в целях безопасности. Она используется в наклонном положении, если прикреплена анкерной консолью к треноге Tracpode.

- Лебедка caRol™ оснащена тросом Tractel® из оцинкованной стали длиной 20 или 30 м.
- Лебедка caRol™ используется вместе со специально разработанной анкерной консолью, через которую она крепится к одной из ножек треноги Tractel® tracpode™ с минимальной несущей способностью 15 кН.

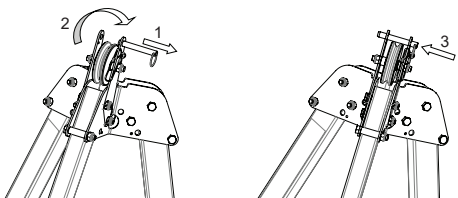
4.2.1 Установка лебедки caRol™ на треногу Tractel® Tracpode™

1. – Удалите стопорный штифт и затем разместите лебедку caRol™ на необходимой высоте на треноге tracpode™ (3 возможных положения). Для этой операции руководствуйтесь инструкцией по эксплуатации к треноге Tractel® tracpode™.
2. – Протолкните стопорный штифт через отверстия в анкерной консоли и в треноге Tractel® tracpode™.
3. – Закрепите стопорный штифт, используя пружинный зажим



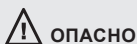
4.2.2 Установка троса вокруг направляющего шкива на треногу Tractel® traspode™.

1. Выньте штифт направляющего шкива
2. – Пропустите трос от лебедки caRol™ через шкив и вниз через середину оголовка Traspode™.
3. – Переустановите штифт направляющей троса, чтобы предотвратить его отделение от шкива.



5. Принцип работы

5.1. Спасательная операция с использованием лебедки caRol™



ОПАСНО

Чтобы при необходимости провести спасательную операцию, поблизости должен находиться второй человек.

Нужные спасательные операции необходимо изучить и оценить заранее, чтобы определить необходимые для спасения пользователя людские ресурсы и оборудование менее чем за 15 минут. Более длительная спасательная операция ставит под угрозу жизнь пользователя, нуждающегося в спасении.

Для спасательных операций рекомендуется использовать удобную страховочную привязь или

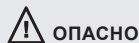
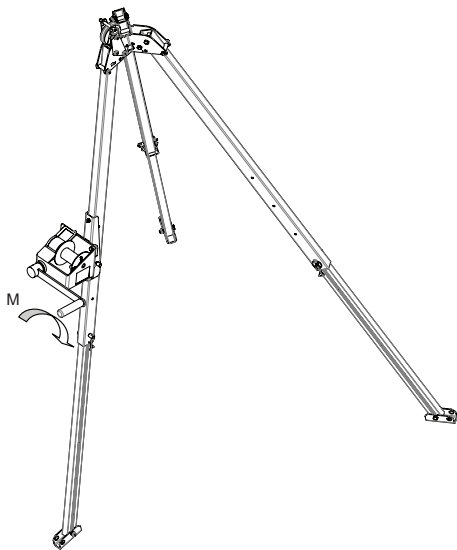
страховочную привязь со спасательными ремнями EN 1497. Тем не менее, можно использовать страховочную привязь для защиты от падения того типа, которую применяет пользователь, нуждающийся в спасении.

На все время проведения спасательной операции между спасателем и другими ее участниками должен поддерживаться прямой или косвенный зрительный контакт или использоваться иное средство коммуникации.



ВАЖНО! Во время спасательной операции лебедочная система должна использоваться исключительно в спасательных целях и не должна использоваться для подъема грузов.

Для проведения спасательной подъемной операции вращайте намоточный барабан в направлении, обозначенном стрелкой М, чтобы поднять и тем самым спасти пользователя.



ОПАСНО

Операция по подъему грузов с использованием лебедки caRol™:

Все операции по подъему грузов с использованием лебедки caRol™ запрещены, если они осуществляются одновременно со спасательной подъемной операцией или во время работ с применением канатного доступа.

При проведении спасательных операций лебедочная система должна быть предназначена исключительно для спасательных операций.

6. Запрещенное использование

Следующее категорически запрещено:

- устанавливать или использовать спасательную лебедку caRol™ без полномочий, обучения и признания компетенции пользоваться устройством либо не отвечающим этим требованиям лицам – без надзора со стороны уполномоченного, обученного и сертифицированного на применение этого устройства пользователя.
- пользоваться лебедкой caRol™ в случае неразборчивой маркировки.
- устанавливать лебедку caRol™ или пользоваться ею, если она не прошла предварительную проверку.
- пользоваться лебедкой caRol™, не прошедшей периодическую проверку в течение предшествующих 12 месяцев или меньшего срока, если того требует законодательство или строительные нормы в стране использования, компетентным лицом, имеющим право давать письменное разрешение на эксплуатацию оборудования.
- устанавливать лебедку caRol™ на треногу Tractel® traspode™, не прошедшую периодическую проверку в течение предшествующих 12 месяцев компетентным лицом, имеющим право давать письменное разрешение на эксплуатацию оборудования.
- использовать лебедку caRol™ для любого применения, помимо спасательного подъема людей.
- крепить лебедку caRol™ иными средствами, нежели анкерная консоль, специально разработанная для traspode™.
- пользоваться лебедкой caRol™ каким-либо образом, противоречащим описанному в разделе «14. Срок службы».
- использовать лебедку caRol™ для спасения одновременно более чем 1 пользователя.
- пользоваться лебедкой caRol™ для спасения пользователя, чья общая масса вместе со снаряжением и инструментами превышает 150 кг.
- пользоваться лебедкой caRol™ для поддержки груза массой от 100 до 150 кг (общая масса пользователя, нуждающегося в спасении, снаряжения и инструментов), если какой-либо компонент спасательной системы рассчитан на меньшую максимальную нагрузку.

- пользоваться лебедкой caRol™ в среде с высокой коррозионной активностью или во взрывоопасной среде.
- пользоваться лебедкой caRol™ вне диапазона температур, указанного в данной инструкции.
- пользоваться лебедкой caRol™, если на пути спасения имеется препятствие.
- пользоваться лебедкой caRol™, если оператор не находится в хорошем физическом состоянии.
- пользоваться лебедкой caRol™, если функция защиты одного из ее элементов нарушена в результате неисправности другого элемента либо несовместимости элементов.
- пользоваться лебедкой caRol™ для фиксации или подъема груза оборудования, если traspode™ используется как:
 - анкерная точка для предотвращения падения
 - спасательная система
 - анкерная система для применения канатного доступа
- пользоваться тросом лебедки caRol™ как стропом.
- производить любой ремонт или техническое обслуживание лебедки caRol™ лицам, не прошедшим предварительное обучение в компании TRACTEL® и не имеющим от нее письменного подтверждения квалификации.
- пользоваться лебедкой caRol™ в неуккомплектованном виде, если оборудование было разобрано, а также в случае замены деталей лицом, не уполномоченным на совершение таких действий компанией TRACTEL®.

7. Установка

- Лебедка caRol™ должна крепиться к одной из трех ножек треноги traspode™.
- Traspode™ должна стоять на твердой поверхности: руководствуйтесь § под названием «Установка» в инструкции для Tractel® traspode™.

8. Компоненты и материалы

- Трос: оцинкованная сталь
- Карабин M47: оцинкованная сталь
- Лебедка caRol™ : окрашенная сталь
- Анкерная консоль для лебедки caRol™ : окрашенная сталь

9. Сопряженное оборудование

Согласно стандарту EN 363, лебедка caRoI™ является составной частью системы защиты от падения, которая должна состоять из:

- анкерной точки (EN 795)
- концевого карабина (EN 362).
- спасательного подъемного устройства (EN 1496)
- карабина (EN 362).
- страховочной привязи (EN 361).

Любые другие элементы для совместного применения с указанным оборудованием запрещены.

10. Техническое обслуживание и хранение

- Если лебедка caRoI™ загрязнилась, ее следует вымыть чистой холодной водой, при необходимости с моющим средством для деликатных тканей, используя синтетическую щетку.
- Мокрую после мытья лебедку caRoI™ нужно оставить сохнуть естественным путем, в защищенном от солнечного света и источников тепла месте.
- Перед транспортировкой и хранением устройства упакуйте его в защитную упаковку так, чтобы защитить от влаги и повреждений (прямых источников тепла, химикатов, ультрафиолетового излучения и т.д.).
- В случае загрязнения изделия обратитесь в компанию Tractel® или к одному из ее дилеров.

11. Соответствие нормам

Настоящим компания TRACTEL® SAS (RD 619, Saint-Hilaire-sous-Romilly, F-10102 Romilly-sur-Seine, Франция) подтверждает, что оборудование для обеспечения безопасности, описанное в данной инструкции, идентично оборудованию, протестированному компанией APAVE SUDEUROPE SAS (CS 60193, 13322 Marseille, Франция) и признанному соответствующим стандарту EN 1496(2017).

12. Маркировка

Маркировка на каждой лебедке caRoI™ означает:

- а. Товарный знак: TRACTEL®.
- б. Наименование изделия.
- с. Номер соответствующего стандарта с указанием года его принятия.

- д. Артикул изделия.
- ф. Дата производства.
- г. Серийный номер.
- h. Символ, указывающий, что перед использованием оборудования необходимо прочитать инструкцию по его эксплуатации.
- п. Диаметр троса.
- w. Максимальная рабочая нагрузка.
- x. Максимальная рабочая длина.

13. Периодическая проверка и ремонт

Проверку необходимо выполнять ежегодно, однако, в зависимости от частоты использования, погодных условий и нормативных актов предприятия или страны, где используется оборудование, периодическую проверку можно осуществлять и чаще.

Периодическую проверку должно выполнять уполномоченный техник в соответствии с методами проверки, разработанными производителем и описанными в файле «Инструкции по проверке СИЗ TRACTEL®».

В ходе периодической проверки необходимо проверить четкость маркировки на изделии.

По завершении периодической проверки выполнивший ее уполномоченный техник должен дать письменное разрешение на продолжение эксплуатации проверенного оборудования. Передача изделия в эксплуатацию должна быть зафиксирована в контрольном листе, который находится в середине настоящей инструкции. Данный контрольный лист должен храниться на протяжении всего срока службы изделия, пока оно не станет считаться непригодным для использования.

14. Срок службы

Текстильные СИЗ компании TRACTEL®, например страховочные привязи, стропы, канаты и амортизаторы, механические СИЗ компании TRACTEL®, например элементы предотвращения падения stopcable™ и stopfor™, снаряжение blocfor™ для защиты от падения со встроенной втяжной системой, анкерные линии TRACTEL® и механическое подъемное спасательное оборудование TRACTEL®, например лебедки caRoI™, можно использовать при условии, что со дня их выпуска они:

- используются в нормальных условиях согласно рекомендациям, указанным в данной инструкции.

- подвергаются периодической проверке не реже 1 раза в год уполномоченным техником. По окончании такой периодической проверки специалист, проверявший оборудование, должен письменно подтвердить его пригодность к эксплуатации.
- хранятся и транспортируются в строгом соответствии с условиями, описанными в данной инструкции.

15. Утилизация

При утилизации изделия все его компоненты необходимо переработать. Для этого надо сначала рассортировать их на металлы и синтетические материалы. Эти материалы проходят переработку в специализированных организациях. При утилизации к работам по демонтажу и разделению компонентов изделия следует допускать только лиц, прошедших соответствующую подготовку.

2 – Использование лебедки caRoI™ для подъема грузов согласно директиве 2006/42/ЕС:

Операция по подъему грузов с использованием лебедки caRoI™:



ОПАСНО! Лебедку caRoI™ нельзя использовать для подъема грузов, если traspode™ используется как:

- анкерная точка
- спасательная система
- анкерная система для канатного доступа

Если лебедка caRoI™ крепится к одной из ножек треноги traspode™, ее максимальная рабочая нагрузка составляет 250 кг.

Для операции подъема прикрепите груз к карабину на конце троса.

В ходе всей операции по подъему пользователь должен проверять, чтобы никакой другой человек не находится под грузом во время перемещения.

Для подъема груза вращайте намоточный барабан в направлении, обозначенном стрелкой М, чтобы поднять груз, и в противоположном направлении, чтобы опустить груз.

3 – Использование лебедки caRoI™ для канатного доступа в соответствии с директивой 2001/45/ЕС:

Канатный доступ с использованием лебедки caRoI™:



ОПАСНО! Лебедку caRoI™ нельзя использовать для подъема грузов, если traspode™ используется как:

- анкерная точка
- спасательная система
- анкерная система для канатного доступа

Канатный доступ с лебедкой caRoI™:

Лебедка caRoI™ может использоваться как система канатного доступа и позиционирования в соответствии с директивой 2001/45/ЕС, принятой Европейским парламентом 27 июня 2001 г.

Условия успешного применения техники канатного доступа и позиционирования.

Система должна состоять как минимум из каната или троса доступа (например, поставленная caRoI™ спасательная лебедка, спусковое устройство, подъемное устройство), который служит средством доступа, подъема, спуска и поддержки, а также из страховочного каната или троса, оснащенного системой защиты от падения (средство защиты от падения с высоты на гибкой анкерной линии, например Stopfor™, или устройство для защиты от падения Blocfor™ со встроенной втяжной системой). Эти два каната или троса должны быть независимо прикреплены к двум анкерным точкам в соответствии со стандартом EN795, или к одной анкерной точке крепления, для которой проведена оценка несущей способности, признанная удовлетворительной работодателем или компетентным лицом.

Пользователи, применяющие канатный доступ, должны использовать подходящую страховочную привязь для защиты от падения, которая должна быть подсоединена как к канату доступа, так и к страховочному тросу.

CDN**Tractel Ltd.**

11020 Mirabeau Street
 Montréal, QC H1J 2S3 Canada
 Phone: +1 514 493 3332
 Fax: +1 514 493 3342
 Email: tractel.canada@tractel.com

MEX**Tractel México S.A. de C.V.**

Galileo #20, Oficina 504.
 Colonia Polanco
 Mexico, D.F. CP. 11560
 Phone: +52 55 6721 8719
 Fax: +52 55 6721 8718
 Email: tractel.mexico@tractel.com

USA**Tractel Inc.**

51 Morgan Drive
 Norwood, MA 02062 USA
 Phone: +1 781 401 3288
 Fax: +1 781 826 3642
 Email: tractel.usa-east@tractel.com

168 Mason way Unit B2
 City of Industry, CA 91746
 Phone: +1 626 937 6727
 Fax: +1 626 937 6730
 Email: tractel.usa-west@tractel.com

Safety Product Group

4064 Peavey Road
 Chaska, MN 55318 USA
 Phone: +1 866 933 2935
 Email: info@safetypg.com

Bluewater

4064 Peavey Road
 Chaska, MN 55318 USA
 Phone: +1 866 579 3965
 Email: info@bluewater-mfg.com

Fabenco, Inc

2002 Karbach St.
 Houston, Texas 77092
 Phone: +1 713 686 6620
 Fax: +1 713 688 8031

D A**Tractel Greifzug GmbH**

Scheidtbackstrasse 19-21
 51469 Bergisch Gladbach
 Germany
 Phone: +49 22 02 10 04-0
 Fax: +49 22 02 10 04 70
 Email: info.greifzug@tractel.com

E**Tractel Ibérica S.A.**

Carretera del Medio, 265
 08907 L'Hospitalet del Llobregat
 (Barcelona) Spain
 Phone : +34 93 335 11 00
 Fax : +34 93 336 39 16
 Email: infotib@tractel.com

F**Tractel S.A.S.**

RD619 Saint-Hilaire-sous-Romilly
 BP 38
 10102 Romilly-sur-Seine France
 Phone: +33 3 25 21 07 00
 Fax: +33 3 25 21 07 11
 Email: info.tsas@tractel.com

Tractel Solutions SAS

77-79 rue Jules Guesde
 69230 St Genis-Laval France
 Phone: +33 4 78 50 18 18
 Fax: +33 4 72 66 25 41
 Email: info.tractelsolutions@tractel.com

GB IRL**Tractel Limited**

Old Lane Halfway
 Sheffield S20 3GA United
 Kingdom
 Phone: +44 114 248 22 66
 Fax: +44 114 247 33 50
 Email: info@tractel.co.uk

I**Tractel Italiana SpA**

Viale Europa 50
 Cologno Monzese (Milano)
 20093 Italy
 Phone: +39 02 254 47 86
 Fax: +39 02 254 71 39
 Email: infoit@tractel.it

NL B DK L**Tractel Benelux BV**

Paardeweide 38
 Breda 4824 EH The Netherlands
 Phone: +31 76 54 35 135
 Fax: +31 76 54 35 136
 Email: sales.benelux@tractel.nl

P ANG MOC**Lusotractel Lda**

Bairro Alto Do Outeiro Armazém 1
 Trajouce, 2785-653 S. Domingos
 de Rana Portugal
 Phone: +351 214 459 800
 Fax: +351 214 459 809
 Email: comercial.lusotractel@tractel.com

PL**Tractel Polska Sp. z.o.o.**

ul. Byslawska 82
 Warszawa 04-993 Poland
 Phone: +48 22 616 42 44
 Fax: +48 22 616 42 47
 Email: tractel.polska@tractel.com

FIN**Scanclimber Oy**

Turkkirata 26
 FI - 33960
 PIRKKALA, Finland
 Phone: +358 10 680 7000
 Fax: +358 10 680 7033
 E-mail: marketing@scanclimber.com

RUS**Tractel Russia, O.O.O.**

Olympiysky prospect 38, office
 411
 Mytishchi, Moscow region
 141006 Russia
 Phone: +7 495 989 5135
 E-mail: info.russia@tractel.com

CHN**Shanghai Tractel****Mechanical Equip. Tech. Co. Ltd.**

2nd floor, Block 1, 3500 Xiupu
 road, Kangqiao, Pudong,
 Shanghai-People's Republic of China
 Phone: +86 21 6322 5570
 Fax : +86 21 5353 0982

SGP BRU CL MAL**RI****Tractel Singapore Pte Ltd**

50 Woodlands Industrial Park E7
 Singapore 757824
 Phone: +65 6757 3113
 Fax: +65 6757 3003
 Email: enquiry@tractelsingapore.com

TURKEY**TR****Knot Yapı ve İş Güvenliği San. Tic. A.Ş.**

Cevizli Mh. Tugay Yolu CD.
 Nuvo Dragos Sitesi
 A/120 Kat.11 Maltepe
 34846 Istanbul TURKEY
 Phone: +90 216 377 13 13
 Fax: +90 216 377 54 44
 Email: info@knot.com.tr

ANY OTHER COUNTRIES:**Tractel S.A.S.**

RD619 Saint-Hilaire-sous-Romilly
 BP 38
 10102 Romilly-sur-Seine France
 Phone: +33 3 25 21 07 00
 Fax: +33 3 25 21 07 11
 Email: info.tsas@tractel.com